

AUTHORIZED



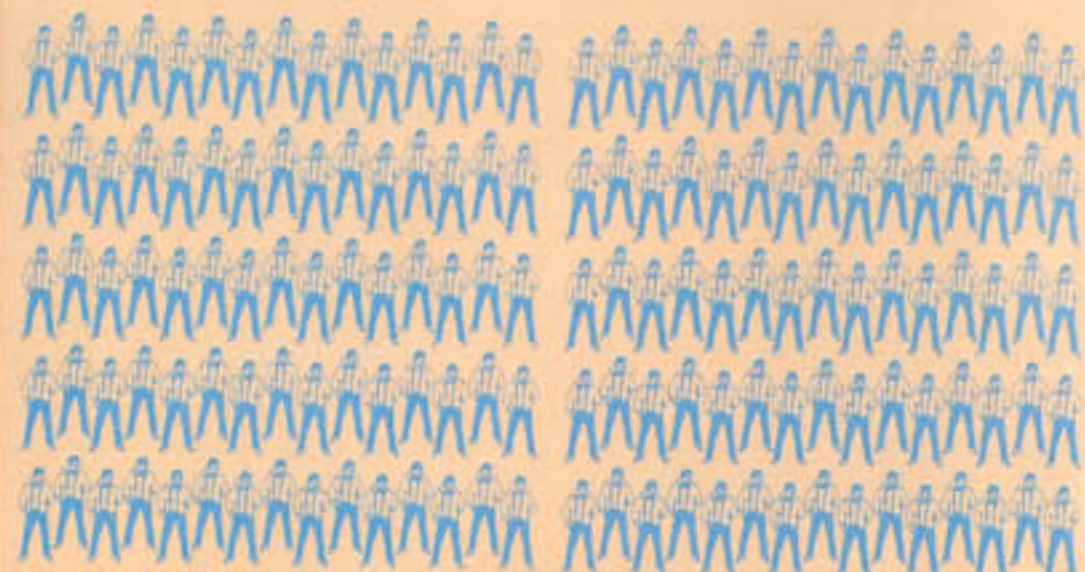
MOTOBECANE
PROFESSIONAL
BICYCLE
DEALERSHIP

*Cycling is an invigorating
pastime that can fill your
leisure hours with pleasure
and satisfaction.*



160 GOOD REASONS TO VISIT YOUR MOTOBECANE DEALER

Considering that several thousand engineers, craftsmen and quality control specialists are employed at MOTOBECANE, not less than 160 of these highly trained professionals are intimately involved in building "just the right" bicycle for you.



Experience the difference



MOTOBECANE IMPORTED AND DISTRIBUTED
IN U.K. SOLELY BY CYCLES STRATTON (UK) LTD,
STRATTON HOUSE,
NUTBOURNE, CHICHESTER, W. SUSSEX.
TELEPHONE : 02434 77411 (5 LINES)
TELEX : 86820 STRATT G

The Motobecane difference.



1 - ELEGANT STYLING AND INNOVATION. — 2 - STATE-OF-THE-ART DESIGN AND PRECISION ENGINEERING. — 3 - STRINGENT QUALITY CONTROL.

MOTOBECANE LIMITED WARRANTY

MOTOBECANE bicycles and components parts that equip bicycles originally are warranted to be free from defect in material and workmanship. This warranty applies to the original retail purchaser and is not transferable.

MOTOBECANE will repair or replace at no charge to the original retail purchaser - without time limit - the frame and fork of any MOTOBECANE bicycle determined by MOTOBECANE to be defective under the terms of this warranty.

Replacement either of a similar frame and/or fork, or an equivalent frame/or fork, seasonal model and color modification, will be at the option of MOTOBECANE.

MOTOBECANE will repair or replace at no charge to the original retail purchaser for a period of six (6) months from the date of purchase any part, except tires, tubes or cables, determined by MOTOBECANE to be defective under the terms of this warranty.

All claims under this warranty must be made through an authorized MOTOBECANE dealer

during the relevant warranty period. To obtain warranty service, take your bicycle along with the original sale receipt indicating date of purchase, model, color and serial n° to your authorized MOTOBECANE dealer.

Transportation costs and dealer's labor charges if any, are not covered under the terms of this limited warranty.

This bicycle is designed for normal on street use. It is not designed or sold for use under any circumstances in motocross, stunt riding or similar activities. No power driven fixture should be adapted on the bicycle. This limited warranty shall become null and void in the event of a violation of the provision of this limited warranty.

THIS WARRANTY DOES NOT COVER ANY PERSONAL INJURIES, DAMAGE OR FAILURE OF THE BICYCLE OR ANY OTHER LOSS OR DAMAGE DUE TO MISUSE, NEGLIGENCE, ABUSE, NORMAL WEAR, ACCIDENT, IMPROPER MAINTENANCE OR MODIFICATION.

REPAIR OR REPLACEMENT OF DEFECTIVE PARTS AS SPECIFIED ABOVE SHALL BE THE SOLE REMEDY UNDER THIS LIMITED WARRANTY AND THE SOLE LIABILITY OF MOTOBECANE. IN NO EVENT SHALL MOTOBECANE BE LIABLE FOR INCIDENTAL OR CONSEQUENTIAL DAMAGES.

THE REMEDIES PROVIDED FOR IN THE ABOVE WARRANTY ARE THE SOLE AND EXCLUSIVE REMEDIES. THEREFORE THERE ARE NO OTHER WARRANTIES, EXPRESS OR IMPLIED, INCLUDING WARRANTY OF MERCHANTABILITY OR FITNESS FOR A PARTICULAR USE OR PURPOSE WHICH EXTENDS BEYOND THE DURATION OF THIS LIMITED WARRANTY.

Some states do not allow limitations on how long an implied warranty lasts or do not allow the exclusion or limitation of incidental or consequential damages so the above limitations or exclusions may not apply to you. This warranty gives you specific legal rights and you may also have other rights which vary from State to State.

TEAM CHAMPION

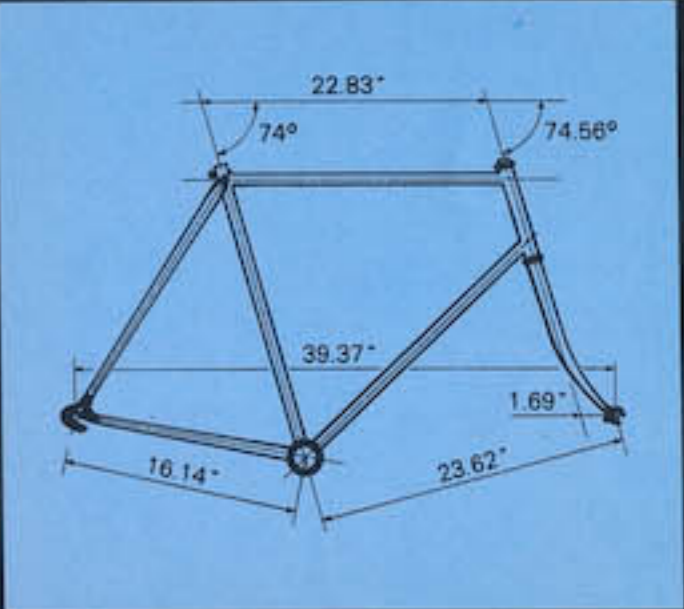
The ultimate - the bike of world class champions. This is the bike that Robert ALBAN, third in the '81 Tour de France and Alain BONDUE, '81 and 82 World Pursuit Champion ride to victory in the most grueling cycling races in EUROPE. Every Team Champion is identical in componentry and design and comes from the very same workshop and craftsmen as the bicycles created for the MOTOBECANE / LA REDOUTE professional racing team.

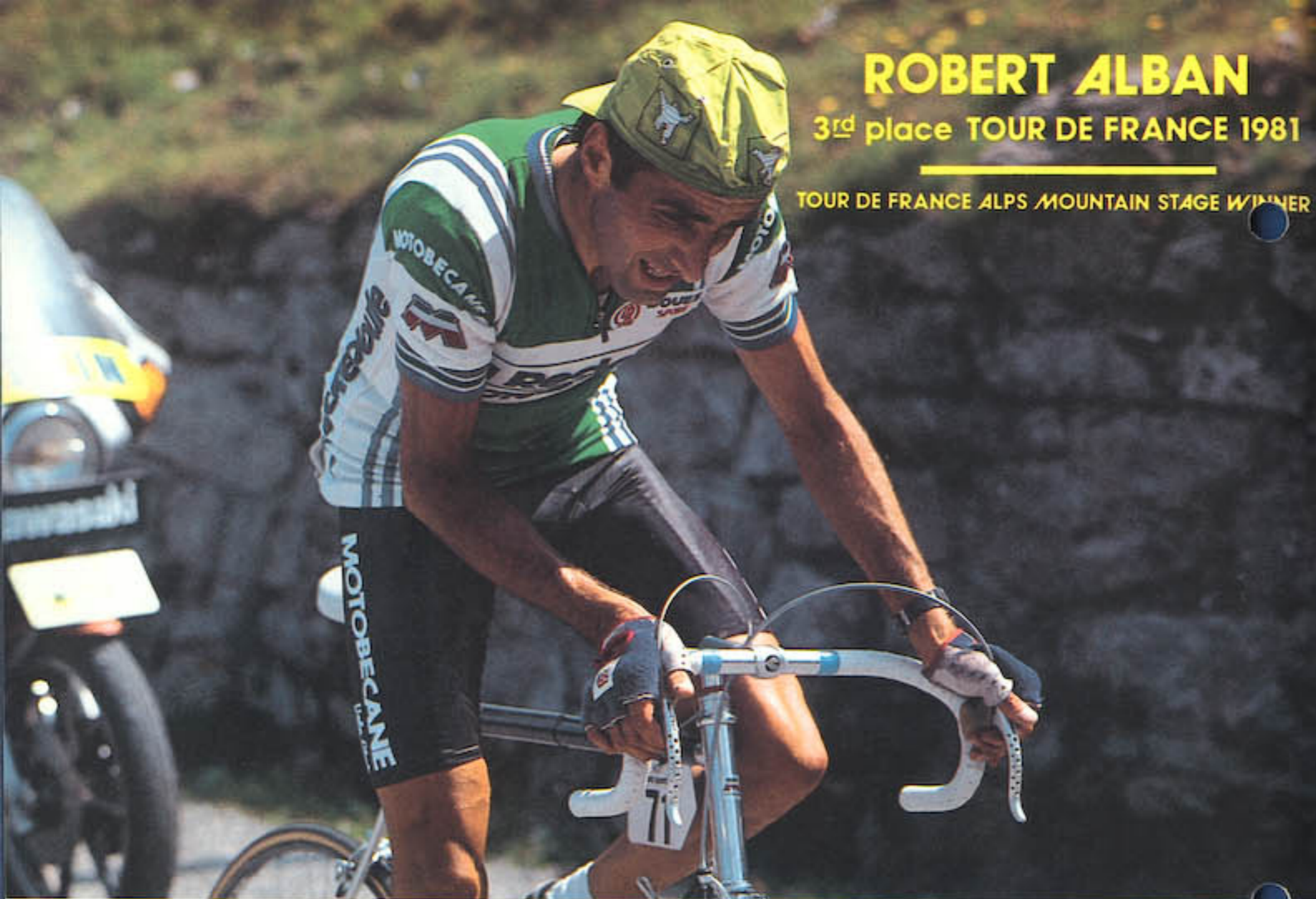


12 speed - 21.0 lbs.



1 - MOTOBECANE SIMPLEX DERAILLEUR AND REAR CHROMED STAYS BASES. — 2 - STRONGLIGHT CHAINWHEEL WITH MAILLARD 700 PEDALS AND CHRISTOPHE TOE CLIPS. — 3 - MAVIC SSC RIMS. — 4 - COLUMBUS FORK WITH CINELLI CROWN.





ROBERT ALBAN

3rd place TOUR DE FRANCE 1981

TOUR DE FRANCE ALPS MOUNTAIN STAGE WINNER



LE CHAMPION

INEXTERNAL™ BRAZING

Fully CAMPAGNOLO equipped down to its SUPER RECORD crankset, LE CHAMPION performs as beautifully as it looks. All COLOMBUS SL tubing finds its full signification in the INEXTERNAL™ Brazing process and makes it an exceptional performer in intense sprint. A finely-tuned machine, LE CHAMPION is the choice of serious competitors who value the best.

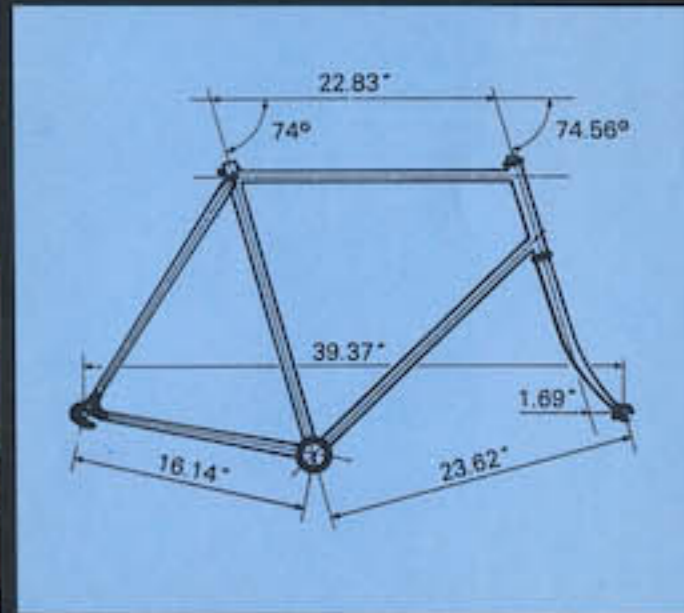
12 speed - 22.8 lbs.



NIGHT BLUE



1 - CAMPAGNOLO RECORD HUB. - 2 - CAMPAGNOLO RECORD DERAILLEUR. - 3 - DERAILLEUR CABLE GUIDES. - 4 - COLOMBUS SL LUGLESS BRAZING.



INEXTERNAL™ BRAZING

Unlike the conventional method that only brazes frame tubes externally, Motobecane's exclusive INEXTERNAL™ BRAZING manufacturing process brazes frame tubes internally and externally. The result is a more rigid and stronger frame.



CONVENTIONAL



INEXTERNAL

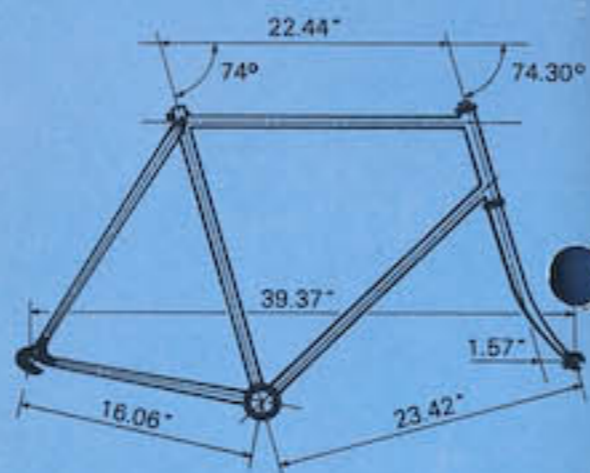
PROLIGHT

This innovative featherweight combines state-of-the-art technology and beauty. Featuring an anodized light alloy frame and fork of DURALINOX VITUS 979 the PROLIGHT's high strength and "well-damped" frame layout afford arrow straight tracking and a stable, comfortable ride over bumps. The PROLIGHT was endurance proven by Michael SHERMER during the first Great American Bicycle Race - L. A. to NEW YORK: 10 days, 14 hours and 15 min. Available in anodized Blue 979.

12 speed - 19.9 lbs.



ANODIZED BLUE



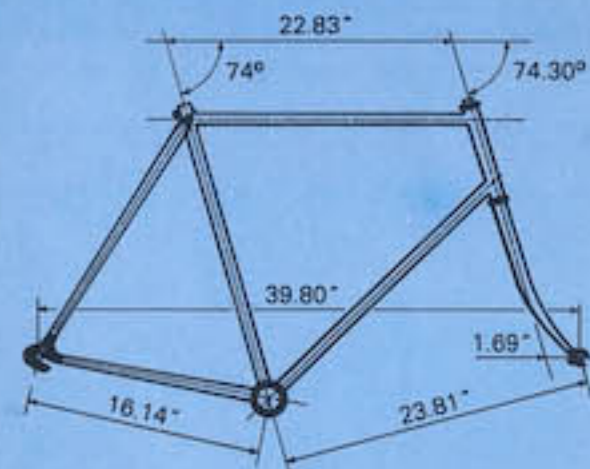
NIGHT BLUE

GRAND JUBILEE

INEXTERNAL™ BRAZING

Meet one of the brightest stars in the 1984 MOTOBECANE line. The GRAND JUBILEE INEXTERNAL™ Brazing COLOMBUS chrom-moly frame is crafted for precision efficiency and responsiveness reserved for bicycles beyond its price range. Besides its superb riding qualities, special attention was given to just the right blend of high performance components: CAMPAGNOLO derailleur system, WOLBER SUPER CHAMPION alloy rims, NERVAR 3020 forged alloy crankset, MAILLARD HELICOMATIC hub and CX 500 alloy platform pedals. The 1984 JUBILEE SPORT is the perfect model for TRIATHLETES and serious riders looking for the competitive edge.

12 speed - 22.9 lbs.



1 - VITUS 979 ULTRALIGHT DURALINOX FORK AND WEINMANN 405 BRAKE. - 2 - EXCLUSIVE VITUS 979 "SPACE-TECHNIC" LUG CONSTRUCTION. - 3 - ALLOY CABLES, RS SUEDE SEAT, MICRO-ADJUSTER SEAT POST. - 4 - SIMPLEX 610 DERAILLEUR.

1 - NERVAR 3020 CHAINWHEEL AND CAMPAGNOLO FRONT DERAILLEUR. - 2 - ATAX MICRO ADJUSTER SEAT POST WITH RS SUEDE SEAT. - 3 - MOTOBECANE HEAD SET AND CTA AERO STEM. - 4 - CAMPAGNOLO 980 DERAILLEUR, HELICOMATIC CLUSTER AND SEDISPORT SILVER CHAIN.

JUBILEE SPORT

INEXTERNAL™ BRAZING

Beyond a doubt, the JUBILEE SPORT is the best value in its price range. State of the art INEXTERNAL™ Brazing lugless frame combined with COLUMBUS tubing and MOTOBECANE's engineering "know how" provides riding performance that is unexcelled. From its forged alloy NERVAR crankset to its beautifully designed tapered rear stays, this 23.1 lb thoroughbred offers handling characteristics and responsiveness of a champion. Features such as: vertical rear dropout, SUN TOUR ARX derailleur, MAILLARD HELICOMATIC cassette hub and WEINMANN 506 quick release brakes are but a few reasons serious riders and TRIATHLETES will appreciate the JUBILEE SPORT as an exceptional value at an affordable price.

12 speed - 23.1 lbs.



SILVER BLUE

PALOMINO



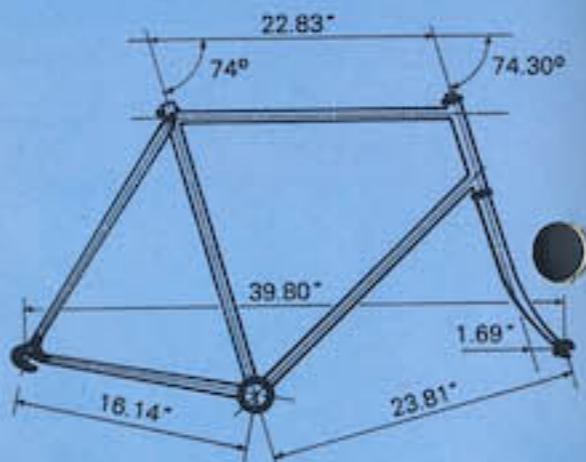
1

2

3

4

1 - SUN TOUR ARX DERAILLEUR AND VERTICAL REAR DROPOUT. - 2 - SUN TOUR SHIFTERS AND ITALIAN RACING TYPE FORK.
3 - MAILLARD PLATFORM PEDAL AND PROFILE NERVAR CRANKSET. - 4 - BRAZED-ON CABLE GUIDES AND BOTTLE BOSSES.



MIRAGE SPORT

INEXTERNAL™ BRAZING

It's often said excellence is worth continuing. This thought, we feel, applies to the MIRAGE SPORT with its uniquely crafted INEXTERNAL™ Brazing MOTOLITE lugless frame. Look closely at its top-notch alloy components featuring: NERVAR forge crankset, HURET PILOT derailleur, WEINMANN 501 quick release brakes, RIGIDA 27 x 1" rims, MAILLARD pedals and quick release hubs. The 1984 MIRAGE SPORT will get your attention from the first turn of the pedals with performance and response beyond expectation. Its riding quality is clearly french in every aspect.

12 speed - 25.0 lbs.



SAND

COCCINELLA RED

FLAG BLUE



1

2

3

4

1 - ITALIAN DESIGN DROP SHOULDER FORK CROWN AND WEINMANN 501 SIDE PULL BRAKE. - 2 - RACING TYPE SEAT POST BINDER SYSTEM AND TAPERED REAR STAYS. INTERNAL BRAKE CABLE. - 3 - NEW HURET PILOT DERAILLEUR AND VERTICAL DROPOUT TIPS. - 4 - MOTOBECANE UNIQUE HANDLEBAR SLEEVES WITH HOODED DRILLED LEVERS.





GRAND TOURING

MOTOBECANE's GRAND TOURING has been a fixture with serious travelers for many years. Following this heritage, the 1984 GRAND TOURING is a professional quality touring bike designed to satisfy the most discriminating cyclist. VITUS 888 tubing combined with precise touring frame geometry results in optimum weight distribution and stability. Carefully selected European alloy components featuring HURET DUOPAR Hi-Stepper derailleur, STRONGLIGHT 99 triple plateau forged crankset, WEINMANN A-124 concave rims, MAILLARD HELICOMATIC hub and MICHELIN high profile center ridge tires are only a few reasons the GRAND TOURING promises years of dependable cycling.

18 speed - 26.8 lbs.



1 - TRIPLE PLATEAU STRONGLIGHT 99 CHAINWHEEL. - 2 - WEINMANN CONCAVE RIMS. - 3 - WEINMANN 999 CENTER PULL BRAKES. - 4 - HURET RATCHET SHIFTERS.



SUPER MIRAGE

"Smooth", "Reliable", and "Comfortable" describe MOTOBECANE's most affordable touring model - the 1984 SUPER MIRAGE. Its superbly crafted chrom-moly frame with extended fork and rear chainstays provides stability and steady tracking, with or without panniers. DUOPAR ECO derailleur, MAILLARD HELICOMATIC hub, NERVAR forge alloy crankset, WEINMANN alloy rims and quick release brakes make it the perfect companion for a Sunday spin or extended tour. The distinct riding quality of the SUPER MIRAGE will out-perform any bike in its class.

12 speed - 26.8 lbs.



MIRAGE

INEXTERNAL™ BRAZING

If you haven't guessed it by now, the big engineering news at MOTOBECANE is the INEXTERNAL™ Brazing lugless Motolite frame. The 1984 MIRAGE lugless construction combines with a full range of alloy components that include : SUN TOUR AR derailleur, WEINMANN brakes and rims, MAILLARD hubs with quick release front wheel and SOLIDA by STRONGLIGHT cotterless crankset. Recreation rider or commuter, the MIRAGE is designed and engineered for the pure joy of riding.

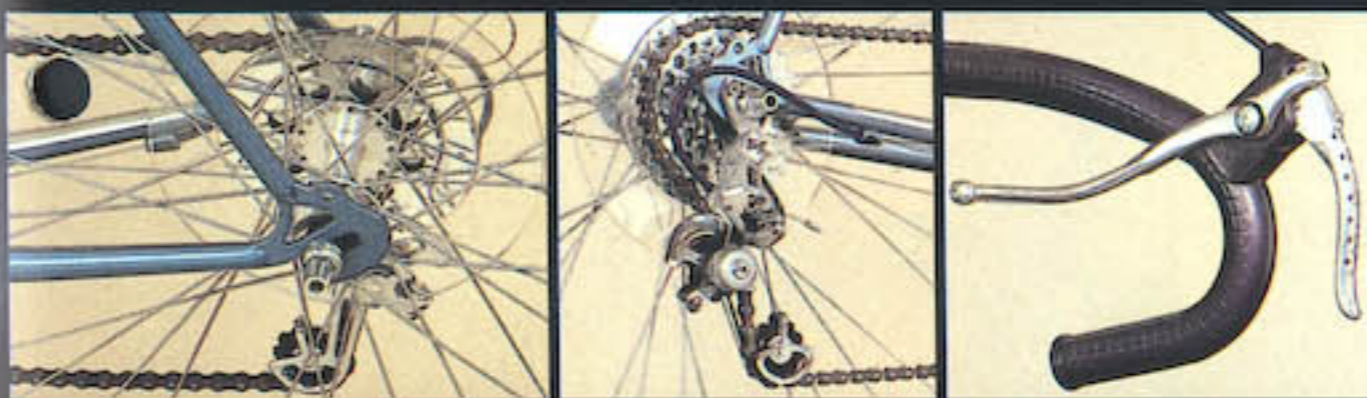
12 speed - 28.0 lbs.



SILVER BLUE

BLACK

MARROON



1

2

3

1 - MAILLARD HUB WITH ALLEN FAST RELEASE NUT, SEMI-FORGED TIP AND BRAZED-ON CABLE STOP. - 2 - SUN TOUR AR DERAILLEUR WITH MAILLARD 6 COGS SILVER FREE WHEEL AND SEDISPORT CHAIN. - 3 - RANDONNEUR BAR FEATURES EXCLUSIVE MOTOBECANE SLEEVES ; DRILLED ALLOY BRAKE LEVERS WITH DUAL CONTROL.



GUN METAL GREY

BLACK

PISTACHIO



1

2

3

1 - ANATOMIQUE PADDED SEAT WITH CTP 6 MICRO ADJUSTER SEAT POST, BRAZED-ON CABLE GUIDES. - 2 - WEINMANN DRILLED LEVERS WITH MOTOBECANE HANDLEBAR SLEEVES. - 3 - MAILLARD ALLOY QUICK RELEASE, REAR HUB WITH HELICOMATIC CLUSTER AND SEDISPORT CHAIN.

NOMADE

INEXTERNAL™ BRAZING

There's no trick to making an economically priced bicycle. It is no small feat, however, to make a budget priced bicycle worthy of the MOTOBECANE name. The 1984 NOMADE will live up to your expectations in every sense with its INEXTERNAL™ Brazing 2040 frame. HURET ECO derailleur, quick release WEINMANN alloy brakes, MAILLARD alloy hubs with quick release front wheel and SOLIDA by STRONGLIGHT alloy cotterless cranks, are a few reasons NOMADE is an exceptional value in performance and reliability.

12 speed - 28.5 lbs.



INTERCLUB

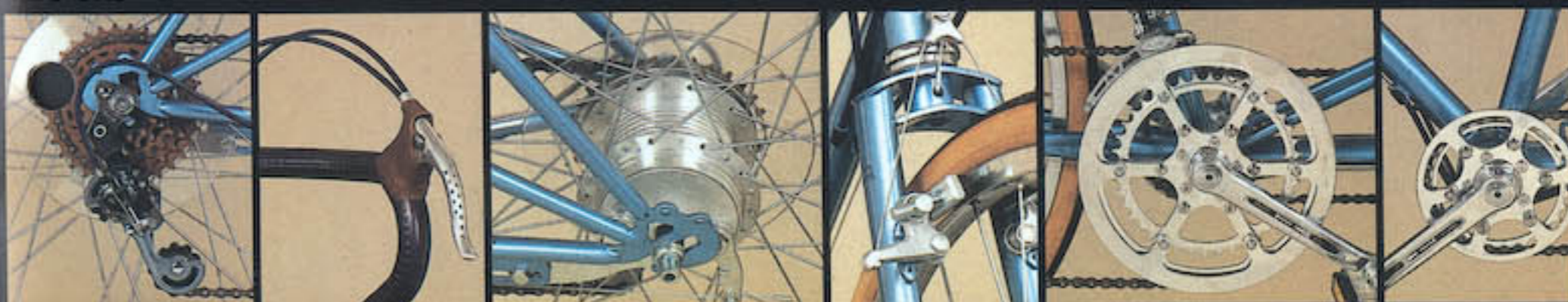
INEXTERNAL™ BRAZING

A tandem beauty for sociable riders, the INTERCLUB offers an unbeatable combination of restrained price and quality workmanship. Selected components include HURET DUOPAR CHALLENGER derailleur, anatomique seats, HUTCHINSON tires and WEINMANN concave alloy rims. Special dual rear wheel braking system operated by WEINMANN 999 and MAILLARD drum brake. Front brake is a CLB Cantilever.

10 speed - 44.9 lbs.



SILVER BLUE



1 - HURET DUOPAR DERAILLEUR - 2 - DUAL CONTROL OF THE TWO REAR BRAKES. - 3 - MAILLARD REAR DRUM BRAKE. - 4 - SPECIAL TANDEM FORK AND CANTILEVER BRAKE. - 5 - TA CYCLO TOURIST REAR CHAINWHEEL. - 6 - TA CYCLO TOURIST FRONT TANDEM CHAINWHEEL.



1 - PROFILED COTTERLESS ALLOY CRANK. - 2 - ALLOY QUICK RELEASE HUB. - 3 - MOTOBECANE UNIQUE MIXTE DESIGN.

CITY-BECANE

INEXTERNAL™ BRAZING

Rugged construction and advance engineering are combined in the state of the art INEXTERNAL™ Brazing chrom-moly frame of the CITY-BECANE.

A heavy-duty Cantilever brake system, MAILLARD HELICOMATIC hub and DUOPAR ECO wide range derailleur are but a few of the sophisticated components that assure exceptional riding quality. The CITY-BECANE is designed to challenge off road conditions on city streets with equal enthusiasm.



12 speed - 32.5 lbs.



SAND



1 - "ESPACE" ORIGINAL MOTOBECANE HANDLEBAR WITH EXCLUSIVE STEM PADDING. - 2 - DETAILS OF SEAT POST ASSEMBLY FINE WORKMANSHIP AND QUICK RELEASE SEAT POST ADJUSTMENT. - 3 - HURET DUOPAR DERAILLEUR AND VERTICAL DROPOUT. - 4 - REINFORCED FORK. CANTILEVER BRAKES.



MT. BECANE

INEXTERNAL™ BRAZING

The 1984 MT. BECANE is crafted to meet the demands of the most discriminating off road rider. The built in stability of its hi-tech INEXTERNAL™ Brazing chrom-moly frame offers amazing responsiveness. A carefully selected group of specialized components featuring: DUOPAR titanium derailleur, WOLBER rims, MAILLARD HELICOMATIC hub and TA triple plateau forge alloy crankset makes the MT. BECANE a perfect companion to share any challenge.



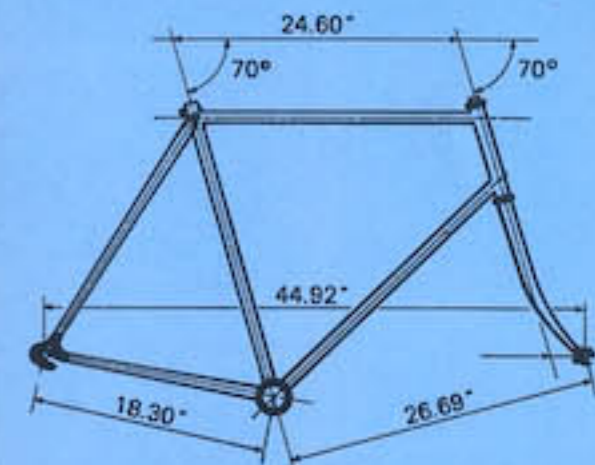
18 speed - 30.5 lbs.



FLAG BLUE



1 - TRIPLE PLATEAU TA CRANKSET. - 2 - WOLBER ANODIZED ALLOY RIMS. - 3 - SPECIAL MTP ALLOY PEDALS. - 4 - MAILLARD HELICOMATIC SEALED HUB WITH 36 SPOKES WHEEL.



	TEAM CHAMPION 12 Speed 21.0 lbs	LE CHAMPION 12 Speed 22.8 lbs	PROLIGHT 12 Speed 19.9 lbs	GRAND JUBILEE 12 Speed 22.9 lbs	JUBILEE SPORT 12 Speed 23.1 lbs	MIRAGE SPORT 12 Speed 25.0 lbs
COLORS COSMETICS	Night Blue Team graphics	Night Blue Silk-screen graphics	Motobecane anodized blue Anodized Finish/silk- screen graphics	Night blue Two tone w/silk-screen graphics	Silver blue, Palomino Two tone w/silk-screen graphics	Men's : sand, coccinella red, flag blue Ladies : sand Silk-screen graphics
FRAME FORK SIZES	Fully lugged Columbus SL w/fully chromed rear, Columbus SL w/Cinelli crown, fully chromed fork 21", 22", 23", 24", 25"	Lugless Columbus SL Inexternal brazing Columbus SL italian type crown 21", 22", 23", 24", 25"	Vitus 979 Duralinox Vitus 979 Duralinox 21", 22", 23", 24"	Lugless Columbus Inexternal CR-MO 21", 23", 25"	Lugless Columbus Inexternal CR-MO w/bottle cage bosses Italian type crown/ fully chromed 19 1/2", 21", 23", 25"	Lugless Motolite Tubing Inexternal w/bottle cage bosses - Inexternal italian type crown Men's : 19 1/2", 21", 23", 25" Ladies : 19 1/2", Sport
HANDLEBAR STEM HEADSET	Cinelli Giro d'Italia 66/white leather tape Cinelli Record No 1 Stronglight D 9	Philippe Professional anodized/Motobecane sleeves/hooded levers Atax anodized Campagnolo Record	Alloy racing w/Motobecane sleeves and hooded levers Atax aero Motobecane black	Alloy racing w/Motobecane sleeves hooded levers Aero CTA Motobecane black	Alloy racing w/Motobecane sleeves w/hooded levers Alloy aero CTA Motobecane black	Alloy racing w/Motobecane sleeves w/hooded levers Alloy aero CTA Standard w/plastic cover
BRAKES	Weinmann Super Carrera 400/recessed nuts front and rear	Campagnolo Record, drilled levers/recessed front and rear nuts	Weinmann 405, Alloy cables w/lining	Weinmann 506 w/wheel guides and quick release	Weinmann 506/quick release front and rear/ recessed front nut	Weinmann 501 with quick release front and rear/ recessed front nut
DERAILLEUR CLUSTER CHAIN	Motobecane Simplex 6600/SL JA 522 Maillard 700 (6) 13x18 Sedisport chain	Campagnolo Record 1020 Maillard Atom 77 (6) 13x22 Sedisport chain	Simplex 610/SJA 102 Helicomatic (6) 13x22 Sedisport chain	Campagnolo 980 Helicomatic (6) 13x26 Sedisport silver chain	Sun Tour ARX front and rear Maillard Helicomatic (6) 13x28 Sedisport silver chain	Huret Pilot/Rival downtube brazed-on shifters Maillard (6) - 13x28 Sedisport chain
CRANKSET PEDALS	Stronglight 107 SP 42x52 Maillard 700 w/Christophe toe clips and straps	Campagnolo Super Record 42x53 - Campagnolo Record/Christophe toe clips and straps	Omega CX 42x52 Maillard platform CX 500 w/toe clips and straps	Nervar 3020 - 42x52 Platform Maillard CX 500 w/toe clips and straps	Nervar 3020 - 42x52 Alloy platform Maillard CX 500 w/toe clips and straps	Nervar 3020 - 42x52 Maillard RA 500
RIMS TIRES HUBS	Mavic SSC black Clement Criterium 12 bis tubulars Maillard 700 hubs	LC 40 : Wolber Super Champion 27x1 Hutchinson Corsa Senior tubulars LC 41 : Mavic Module E 700C - Michelin BIB TS 20 Campagnolo Record hubs	PL 40 : Wolber Super Champion 27x1 - Hutchin- son Corsa Senior tubulars PL 41 : Mavic Module E anodized 700 C - Michelin BIB TS 20 - Maillard quick release front and rear hubs	Wolber Super Champion Gentleman 27x1 Michelin BIB TS 23 27x1 Maillard quick release front and rear hubs	Alloy Wolber Super Champion Gentleman 27x1 Michelin BIB TS 23 27x1 Alloy Maillard quick release front and rear hubs	Alloy Rigida 1320 27x1 Michelin or Hutchinson 27x1 tires Alloy Maillard quick release front and rear hubs
SADDLE SEAT POST	Turbo leather Simplex micro adjuster seat post	RS suede Atax micro adjuster seat post	RS suede CTP5 seat post	RS suede w/Atax micro adjuster seat post	RS Alloy seat post	Racing padded Alloy seat post
EQUIPMENT	CPSC reflectors/water bottle	CPSC reflectors	CPSC reflectors	CPSC reflectors	CPSC reflectors	CPSC reflectors

MIRAGE 12 Speed 28.0 lbs	NOMADE 12 Speed 28.5 lbs	CITY-BECANE 12 Speed 32.5 lbs	MT. BECANE 18 Speed 30.5 lbs	GRAND TOURING 18 Speed 26.8 lbs	SUPER MIRAGE 12 Speed 26.6 lbs	INTERCLUB 10 Speed 44.9 lbs
Men's : silver blue, black, maroon Ladies : maroon Two tone w/silk- screen graphics	Men's : black, coccinella red, flag blue Ladies : flag blue Silk-screen graphics	Sand Silk-screen graphics	Flag blue Silk-screen graphics	Men's : night blue, gun metal grey Ladies : gun metal grey Two tone w/silk-screen graphics	Men's : gun metal grey, black, pistachio Ladies : gun metal grey Two tone w/silk-screen graphics	Silver blue Silk-screen graphics
Lugless Motolite tubing Inexternal Drop shoulder crown Men's : 19 1/2", 21", 23", 25" Ladies : 19 1/2", 21", Mixte	Lugless 2040 tubing Men's : 19 1/2", 21", 23", 25" Ladies : 19 1/2", Mixte	Lugless Inexternal, chrom- moly, w/dual bottle cage bosses Tandem type 18", 19 1/2", 22"	Lugless Inexternal chrom- moly, w/dual bottle cage bosses Tandem type 18", 19 1/2", 22"	Fully lugged Vitus 888 w/ dual bottle cage bosses Vitus 888 w/chromed tips Men's : 19 1/2", 21", 23", 25" Ladies : 19 1/2", Mixte	Lugless CR-MO Inexternal w/bottle cage bosses 2040 Men's : 19 1/2", 21", 23", 25" Ladies : 19 1/2", 21", Mixte	Lugless 2040 w/dual bottle cage bosses Tandem type Front : 22" Rear : 20 1/2"
Chromed randonneur w/Motobecane sleeves Alloy CTA Classical with plastic cover	Chromed randonneur w/Motobecane sleeves Alloy CTA Classical	"Espace", chrome Polygon 10440, chrom- moly, w/Motobecane patented protection pad Tange AW27, chrome	"Espace" chrom-moly Polygon 10440 chrom- moly w/Motobecane patented protection pad Tange AW27, chrome	Alloy randonneur/ Motobecane sleeves w/hooded levers Aero CTA Motobecane black	Alloy randonneur/ Motobecane sleeves w/hooded levers Alloy aero CTA Standard with plastic cover	Alloy racing front/Moto- becane sleeves • Alloy touring rear/Motobecane sleeves - Alloy CTA aero Bardon special tandem
Alloy Weinmann side pull w/quick release w/ extension levers	Alloy Weinmann side pull w/quick release w/extension levers	Cantilever	Cantilever	Weinmann Vainqueur 999 center pull w/quick release/ recessed front nut	Alloy Weinmann side pull w/quick release/ recessed front nut	Weinmann 999 rear/ Cantilever front/ Maillard rear drum brake
Sun Tour AR Maillard (6) 14x32 Sedisport chain	Huret Eco w/stem shifters Maillard (6) 14x28 Sedisport chain	Huret Duopar/Club Handlebar ratchet shifter Maillard Helicomatic (6) 13x32 w/Helicomatic clear spoke protector Sedisport black chain	Huret Duopar titanium/ High Stepper / handlebar ratchet shifters - Maillard Helicomatic sealed hub (6) 13x32 w/Helicomatic clear spoke protector Sedisport black chain	Huret Duopar/Hi-stepper w/Duopar ratchet shifters Maillard Helicomatic (6) 14x34 Sedisport chain	Huret Duopar/S PP w/stem shifters Helicomatic (6) 14x34 Sedisport chain	Huret Duopar/ Challenger S, Stem shifters Maillard (5) 14x32
Solida by Stronglight 42x52 fully alloy Road type w/reflectors	Solida by Stronglight 42x52 Road type w/reflectors	Nervar 3020 - 40x50, 170 mm crankarms Shimano Full-Fit	TA 26x34x46, 175 mm crankarms SR MTP 110 alloy	Stronglight 99, 34x47x52 Maillard RA 500	Nervar 3020 fully alloy 42x52 w/interchangeable rings Alloy racing Atom 440	TA Cyclo Tourist/ 30 front/40x52 rear Atom 440 Touring
Weinmann alloy 27x1 Michelin or Hutchinson 27x1 1/4 tires w/high profile top thread Maillard alloy front w/quick release front	Rigida 27x1 Hutchinson or Michelin 27x1 1/4 w/high profile top thread Maillard alloy front and rear w/quick release front	Weinmann 431 26x1.75 alloy Hutchinson 26x2.125 tires w/high profile top thread Maillard Helicomatic 36 spoke-2.3 gauge	Wolber alloy rims 26x1.75 Wolber 26x2.125 w/high profile top thread Maillard Helicomatic hubs	Weinmann A 124 concave Michelin or Hutchinson 27x1 1/4 w/high profile top thread Maillard quick release front and rear hubs	Alloy Weinmann 27x1 Michelin or Hutchinson 27x1 1/4 w/high profile top thread Alloy Maillard/quick release front and rear	Weinmann A 129 concave 700 C 700x32 C Michelin or Hutchinson tires Maillard tandem front Maillard drum brake rear
Motobecane anatomique Steel seat post	Touring padded Steel seat post	Sella Italia SR CTP5E seat post w/quick release	Anatomique SR CTP5E seat post w/quick release	Anatomique suede top CTP 6 seat post	Anatomique Motobecane Alloy CTP 6 seat post	Anatomique Touring padded - Alloy seat posts
CPSC reflectors	CPSC reflectors	CPSC reflectors	CPSC reflectors	Alloy rear luggage-carrier anodized silver CPSC reflectors	CPSC reflectors	CPSC reflectors