

# Campagnolo®

□ CAMPAGNOLO S.P.A. - VIA DELLA CHIMICA, 4 - 36100 VICENZA - ITALIA - Phone 0444/564933 - Telex 480074 CAMPA I - Teletax 0444/565062  
□ CAMPAGNOLO SARI - RUE DU CHATEAU D'EAU - ROUZIERS DE TOURAINE - 37360 NEUILLE PONT PIERRE - FRANCE - Phone 47-566569 - Telex 750373 WEIFRA - Telefax 47-566779  
□ CAMPAGNOLO CORPORATION - 43 FAIRFIELD PLACE - WEST CALDWELL, N.J. 07006 - U.S.A. - Phone 201-8828733 - Telex 705994 CAMPA CORP - Telefax 201-8828939

• SERVICE AND TECHNICAL INFORMATION • CENTRAL (ITALY) - Phone 0444/571871  
• U.S.A. - Phone 1/800 US CAMPI

**ATHENA**

**CHORUS**

**CROCE D'AUNE**

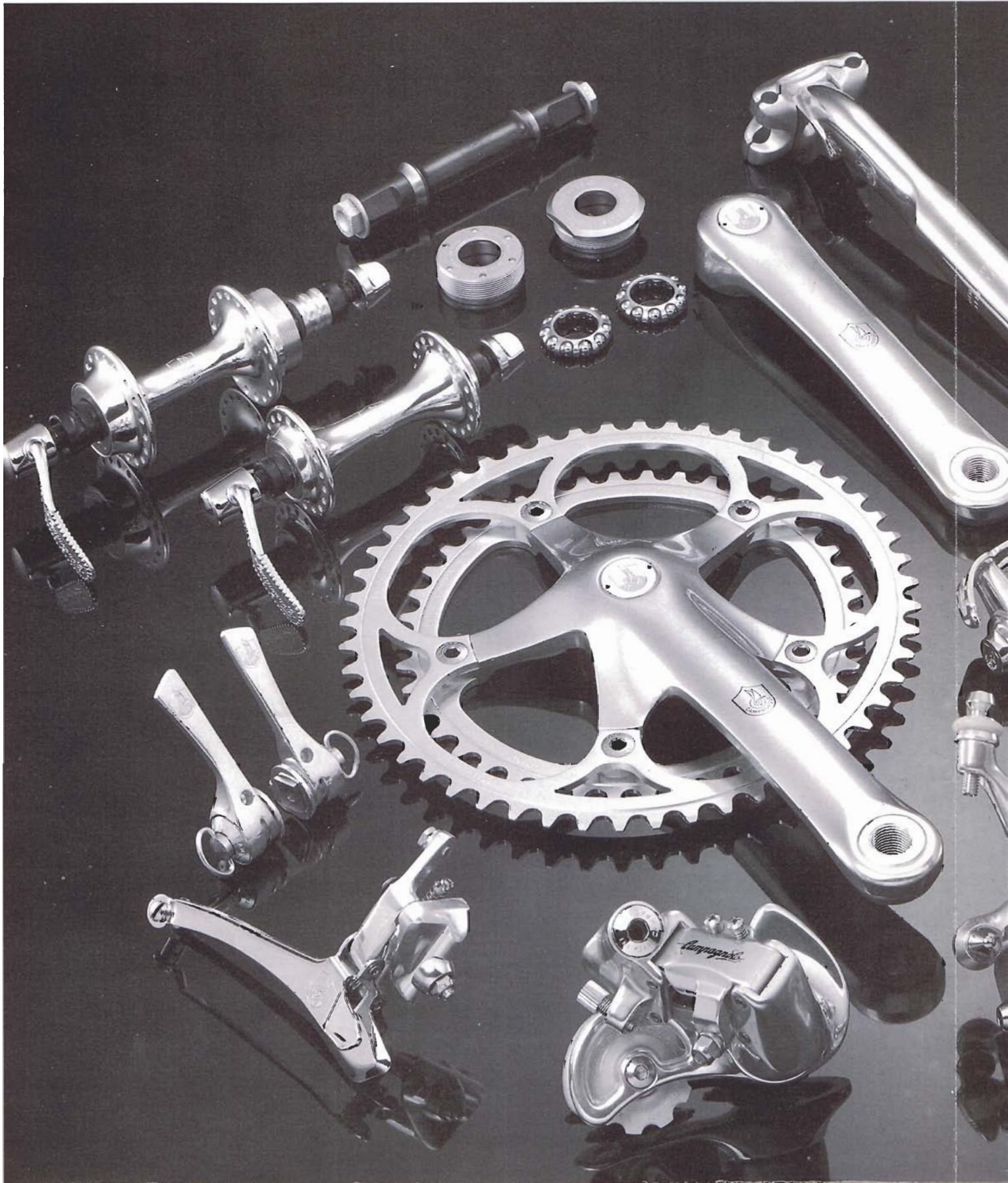
**RECORD**

**RECORD PISTA**

**RECORD KEIRIN NJS approved**









Basic Group		
CODE	COMPONENTS	VARIANTS
D010	Athena gear	
C021	Chorus braze-on front changer	C022 Chorus clip-on front changer (pipes $\varnothing$ 25,5 mm.)
A281	Record Friction braze-on levers	
D300	Athena small flange quick release hubs, 36 holes, rear width 126,5 / RH 36, Italian thread mm. 35 $\times$ 24 F	Drillings: 32 Rear width: 130 / RH 36 - 130 / RH 37 Thread: BSC 1,370" $\times$ 24 F - FR M 34,7 $\times$ 1
D040	Athena chainwheel, pitch circle diameter 135, crank 170 mm. 42/52 t.	Cranks length: 172,5 Inner rings tooting: 39 - 40 - 41 - 43 - 44 Outer rings tooting: 48 - 49 - 50 - 51 - 53
D0H0	Athena bottom bracket Italian thread mm. 36 $\times$ 24 F Width 70 mm.	Thread: BSC 1,370" $\times$ 24 TPI - FR M 35 $\times$ 1 Width: 68 mm.
D600-AM	Athena pedals complete with medium (M) steel toe-clip and single layer leather strap	Toe-clip: small (S) - large (L)
D500	Athena brakes complete with two brake levers, cables and casings	Athena Compact brake lever (code D056)
C0R2	Chorus styled seat pin 180 mm. $\varnothing$ 27,2 complete with fixing screw and nut $\varnothing$ 8	Length: 180 mm. (code C0R2) $\varnothing$ : 25 - 26,2 - 26,4 - 26,6 - 26,8 - 27 Length: 130 mm. (code C0R2-S) $\varnothing$ : 25 - 26,2 - 26,4 - 26,6 - 26,8 - 27 - 27,2
D0D0	Athena head set, Italian thread mm. 25,4 $\times$ 24 F	Thread: BSC 1" $\times$ 24 TPI - FR M 25 $\times$ 1
1120005	Biodynamic bottle with cage	

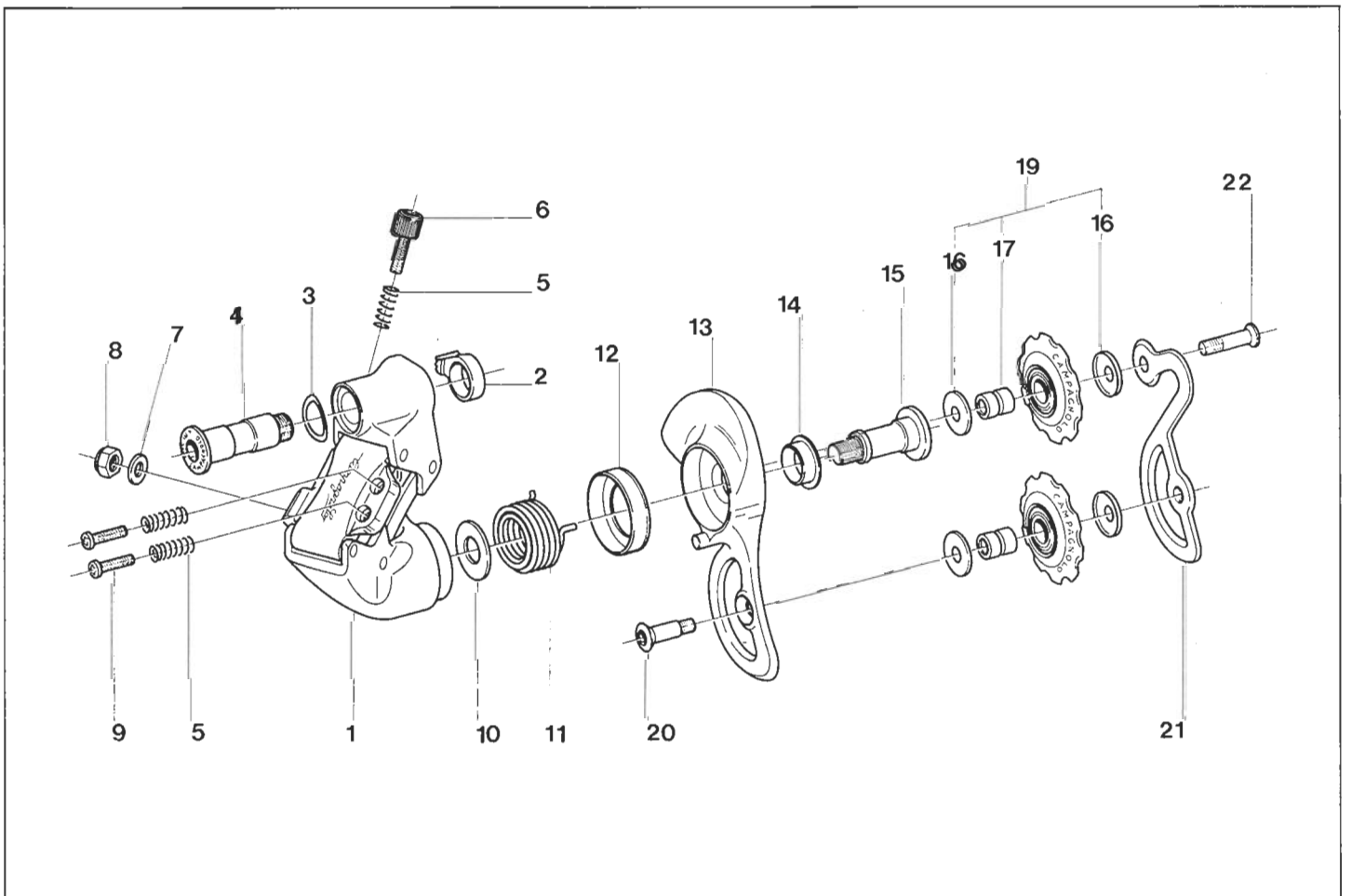


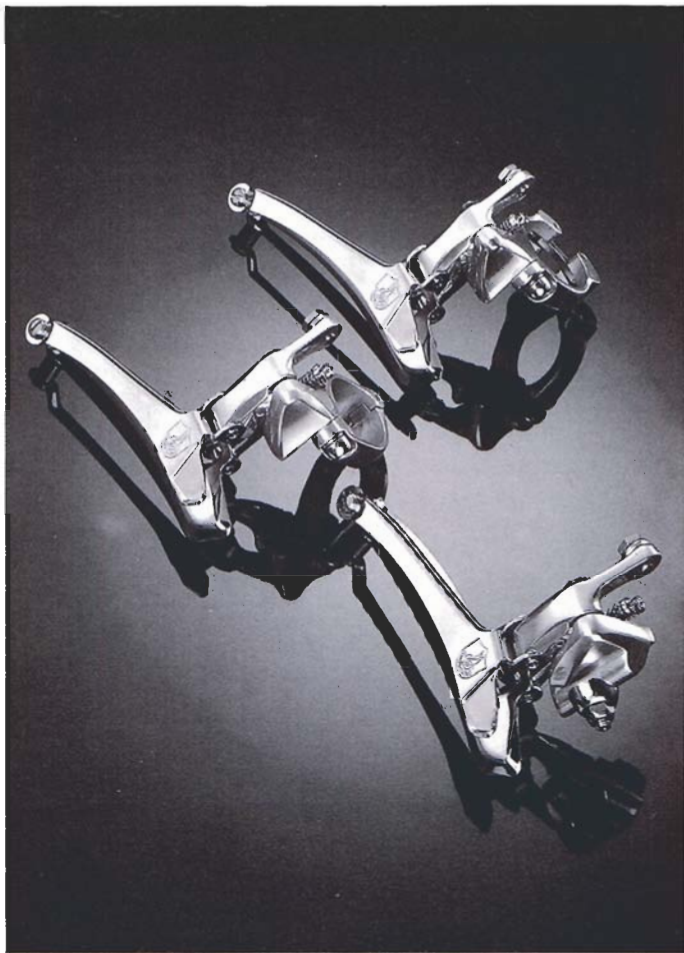




### D010 ATHENA GEAR

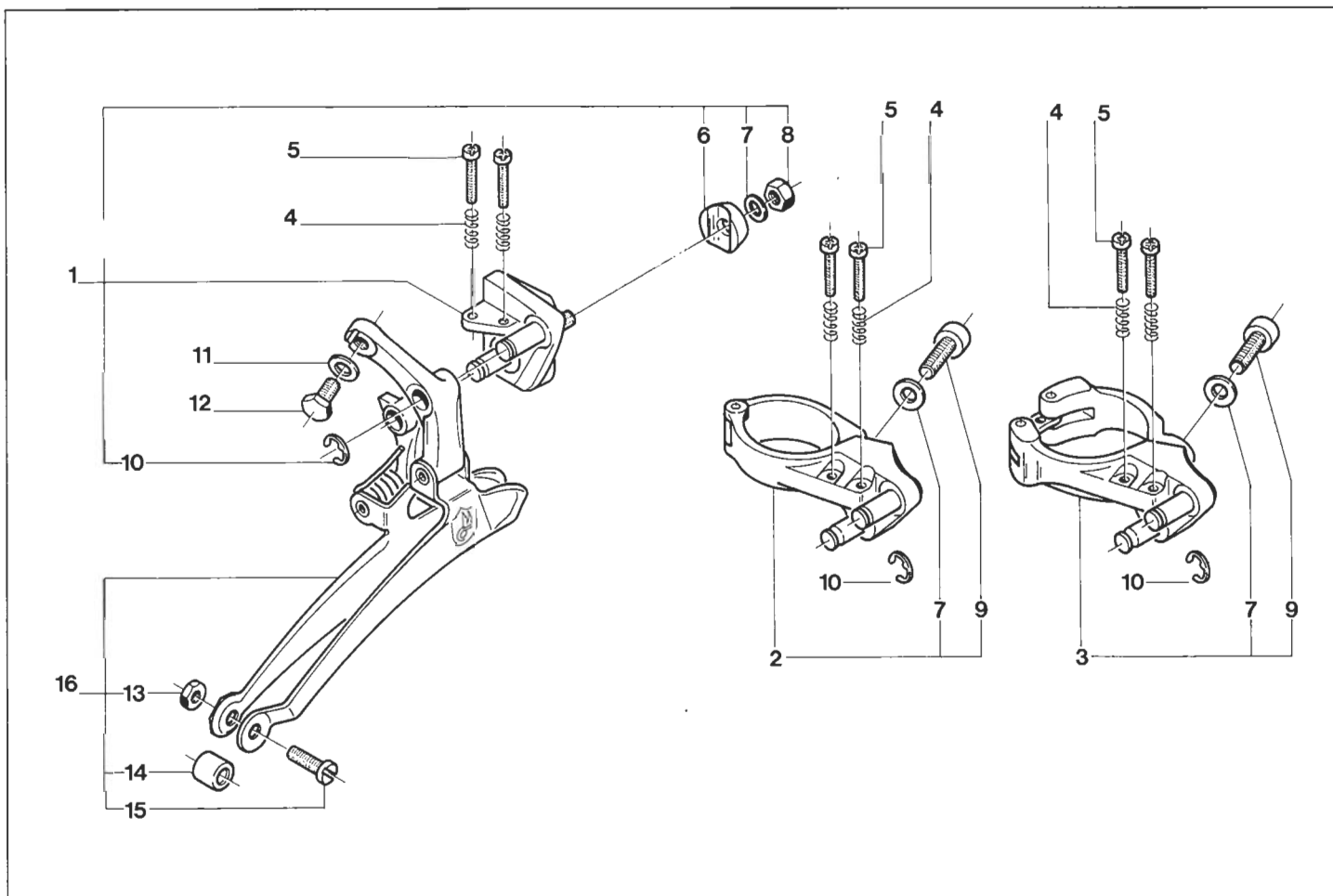
- 1 1284022 Complete parallelogram
- 2 7116112 Upper body bush
- 3 7304009 Convex elastic washer
- 4 7350230 Fixing pivot
- 5 7260094 Adjusting screw spring
- 6 7350227 Casing adjusting screw
- 7 7300114 Fixing cable screw washer
- 8 7161187 Fixing cable screw nut
- 9 7350203 Front changer adjusting screw
- 10 7300107 Washer
- 11 7260113 Cage plate rotating spring
- 12 7116103 Outer cage plate bush
- 13 7119040 Outer cage plate
- 14 7116102 Pivot bolt screw bush
- 15 7350248 Pivot bolt screw
- 16 7146005 Roller dust cover
- 17 7116006 Roller bush
- 19 1302005 Complete roller
- 20 7350165 Lower roller fixing screw
- 21 7119041 Inner cage plate
- 22 7350276 Upper roller fixing screw





**C021 CHORUS BRAZE-ON FRONT CHANGER**  
**C022 CHORUS CLIP-ON FRONT CHANGER**  
**C023 CHORUS ADJUSTABLE CLIP-ON FRONT CHANGER**

- 1 1143072 Complete body (without b/o boss)
- 2 1143073 Clip-on complete body
- 3 1143074 Adjustable clip-on complete body
- 4 7260105 Adjusting screw spring
- 5 7350228 Fork end adjusting screw
- 6 7300161 Braze-on front changer concave washer
- 7 7300117 Clip fixing screw washer
- 8 7161187 Fixing screw nut
- 9 7350145 Clip-on front changer fixing screw
- 10 7100008 Circlip
- 11 7300114 Fixing cable screw washer
- 12 7350002 Fixing cable screw
- 13 7161096 Fork connecting nut in stainless steel
- 14 7116011 Fork bush
- 15 7350106 Fork connecting chrome-plated screw
- 16 1180010 Complete fork



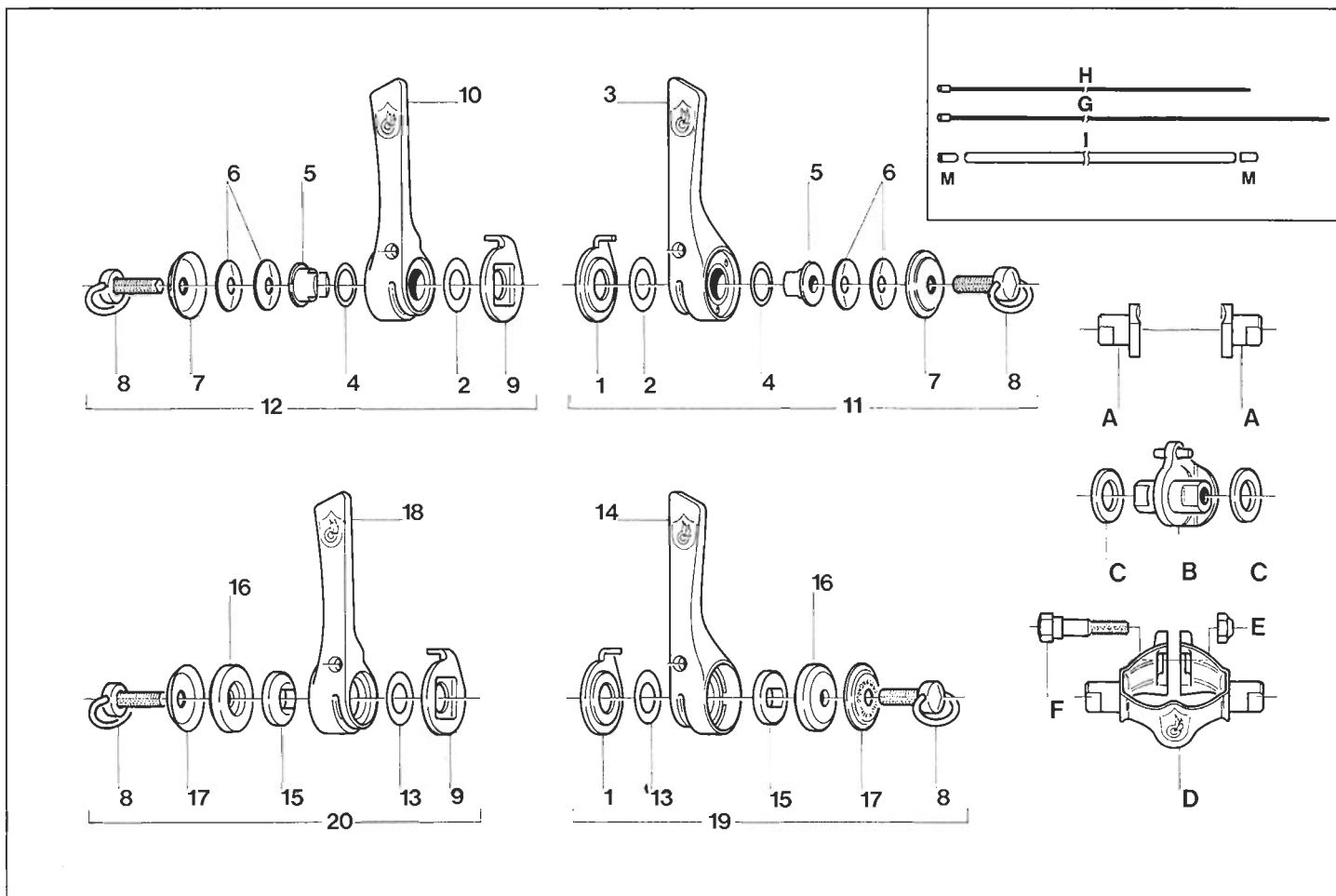


**A281 RECORD FRICTION BRAZE-ON LEVERS**  
**A282 RECORD FRICTION CLIP-ON LEVERS**  
**A283 RECORD FRICTION ON TOP OF TUBE LEVERS**

- 1 7320031 R.H. bracket
- 8 1202005 Adjusting wing nut
- 9 7320032 L.H. bracket
- 13 7300178 Bracket washer
- 14 7264041 R.H. lever
- 15 7306003 Friction washer
- 16 7160076 Spacer
- 17 7136040 Cover
- 18 7264042 L.H. lever
- 19 0118091 Gear Record Friction complete lever
- 20 0118092 Front changer Record Friction complete lever

**A271 RECORD DOPPLER BRAZE-ON LEVERS**  
**A272 RECORD DOPPLER CLIP-ON LEVERS**  
**A273 RECORD DOPPLER ON TOP OF TUBE LEVERS**

- 1 7320031 R.H. bracket
  - 2 7306004 Inner friction washer
  - 3 1264014 R.H. lever
  - 4 7306005 Outer friction washer
  - 5 7325002 Square boss milled shim
  - 6 7260086 Cup spring
  - 7 7136040 Cover
  - 8 1202005 Adjusting wing nut
  - 9 7320032 L.H. bracket
  - 10 1264015 L.H. lever
  - 11 0118071 Gear Record Doppler complete lever
  - 12 0118072 Front changer Record Doppler complete lever
- A 7102002 Braze-on lever square boss  
 B 7316014 On top of tube braze-on boss  
 C 7300149 On top of tube double lever washer  
 D 1182023 Double lever clip  
 E 7161095 Fixing clip nut  
 F 7350009 Fixing clip screw  
 G 7145028 Gear cable  
 H 7145029 Front changer cable  
 I 0120062 Casing and end casing (not assembled)  
 M 7140003 End casing





**A221 RECORD SYNCRO BRAZE-ON LEVERS**  
**A222 RECORD SYNCRO CLIP-ON LEVERS**  
**A223 RECORD SYNCRO ON TOP OF TUBE LEVERS**

- |    |           |   |
|----|-----------|---|
| 1  | 7320038   | R.H. bracket  |
| 2  | 7300178   | Bracket washer                                      |
| 3  | 7264043   | R.H. lever  |
| 4  | 7300196   | Spacing washer                                      |
| 5  | 7260108   | R.H. lever spring                                   |
| 6  | see table | Micrometric insert                                  |
| 7  | 7116085   | Release bush  |
| 8  | 1136013   | R.H. lever adjusting wing nut                       |
| 9  | 7320026   | L.H. bracket  |
| 10 | 7300104   | Washer  |
| 11 | 7264044   | L.H. lever  |
| 12 | 7306003   | Friction washer                                     |
| 13 | 7300115   | Washer  |
| 14 | 7136021   | Cover   |
| 15 | 7260067   | Disc spring   |
| 16 | 1202001   | Adjusting wing nut                                  |
| 17 | 0118130   | Gear Record Syncro complete lever, without insert 6 |
| 18 | 0118113   | Front changer Record Syncro complete lever.         |
|    |           |   |
| A  | 7102002   | Braze-on lever square boss                          |
| B  | 7316014   | On top of tube braze-on boss                        |
| C  | 7306010   | Washer  |
| D  | 1182023   | Double lever clip                                   |
| E  | 7161095   | Fixing clip nut                                     |
| F  | 7350009   | Fixing clip screw                                   |
| G  | 7145028   | Gear cable  |
| H  | 7145029   | Front changer cable                                 |
| I  | 0120062   | Casing and end casing (not assembled)               |
| M  | 7140003   | Casing end  |

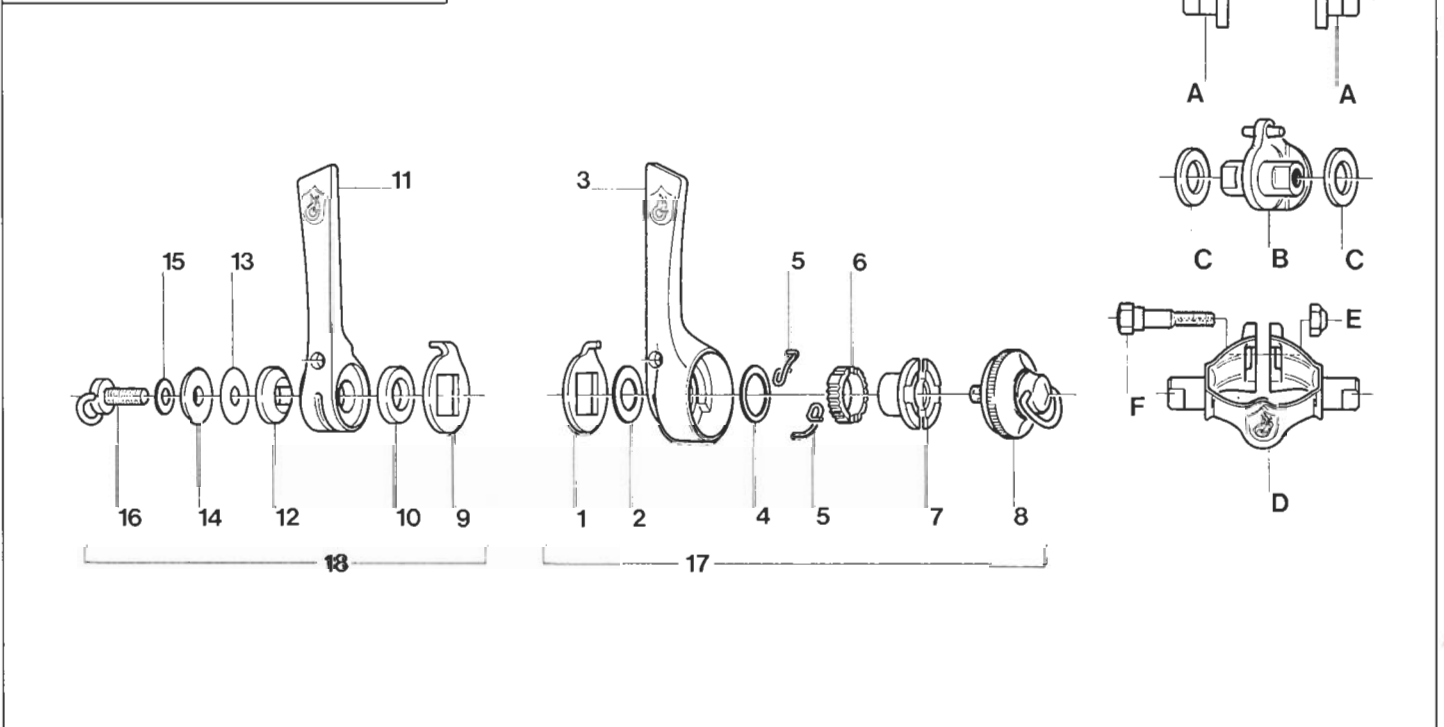
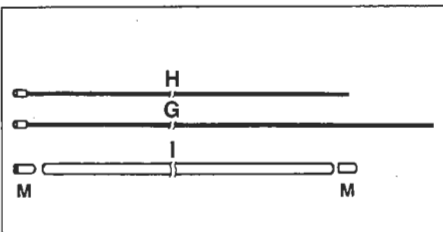




TABLE FOR THE BEST CONNECTION OF «RECORD SYNCRO» LEVERS WITH FREEWHEELS, CHAINS AND GEARS

GEARS	RECORD	SUPER RECORD	VICTORY TRIOMPHE	CHORUS	CHORUS	CROCE D'AUNE SM	CROCE D'AUNE LG	ATHENA
6 SPEED FREE WHEELS	6 V	6 V	6 V	A 6	B 6	6 V	6 V	6 V
CAMPAGNOLO	● * ■	● * ■	● * ■	● * ■	● * ■	● * ■	● * ■	● * ▲ ■ ○
MAILLARD 700 COURSE	● * ▲ ■	● * ▲ ■	● * ▲ ■	● * ▲ ■	● * ▲ ■	● * ▲ ■	● * ▲ ■	● * ▲ ■ ○
REGINA AMERICA	● * ▲	● * ▲ ■	● * ▲ ■	● * ■	● * ■	● * ▲ ■	● * ▲ ■	● * ▲ ■ ○
REGINA ORO	● * ▲	● * ▲ ■	● * ▲ ■	● * ▲ ■	● * ▲ ■	● * ▲ ■	● * ▲ ■	
SUNTOUR WINNER	● * ▲ ■	● * ▲ ■	● * ▲ ■	● * ▲ ■	● * ▲ ■	● * ▲ ■	● ▲ ■	* ▲
SHIMANO 105	● * ▲	● * ▲	● * ▲	● * ▲ ■	● * ▲ ■	● * ▲	● * ▲	● * ▲ ■
SHIMANO DURA ACE	● * ▲	● * ▲	● * ▲	● * ▲ ■	● * ▲ ■	● * ▲	● * ▲	● * ▲ ■
CAIMI	● * ▲ ■	● * ▲ ■	● * ■	● * ▲ ■	● * ▲ ■	● * ▲ ■	● * ▲ ■	● * ▲ ■ ○

GEARS	RECORD	SUPER RECORD	VICTORY TRIOMPHE	CHORUS	CHORUS	CROCE D'AUNE SM	CROCE D'AUNE LG	ATHENA
7 SPEED FREE WHEELS	7 V	7 V	7 V	A 7	B 7	7 V	7 V	7 V
CAMPAGNOLO SERVIZIO CORSA COMPACT	● ■	● ■	● ■	● * ■	● * ■	● * ■	● * ■	● * ■
MAILLARD 700 COMPACT	● ■	● ■	● ▲ ■	● * ▲ ■	● * ▲ ■	● * ▲ ■	● * ▲ ■	● * ■
REGINA CX S COMPACT	● ■	● ■	● ■	● * ▲ ■	● * ▲ ■	● * ▲ ■	● * ▲ ■	● * ▲ ■
SUNTOUR W.P. UC 7000	● ▲	● ■	● ■	● * ■	● * ■	● * ▲	* ▲	
SHIMANO DURA ACE	● *	● *	● *	● *	● *	● * ▲	● * ▲	● * ▲ ■
CAIMI COMPACT	● ▲ ■	● ▲	● ▲ ■	● * ■	● * ■	* ▲ ■	▲ ■	● * ▲ ■ ○

Symbols meaning:

● Regina CX S chain - ■ Sedis Sport chain - ▲ Suntour UC 6000 chain - \* Shimano Uniglide 600 chain - ○ Union de luxe

Remark: For Super Record, Victory, Triomphe (extensible to Nuovo Record and LZ) code 7222064.

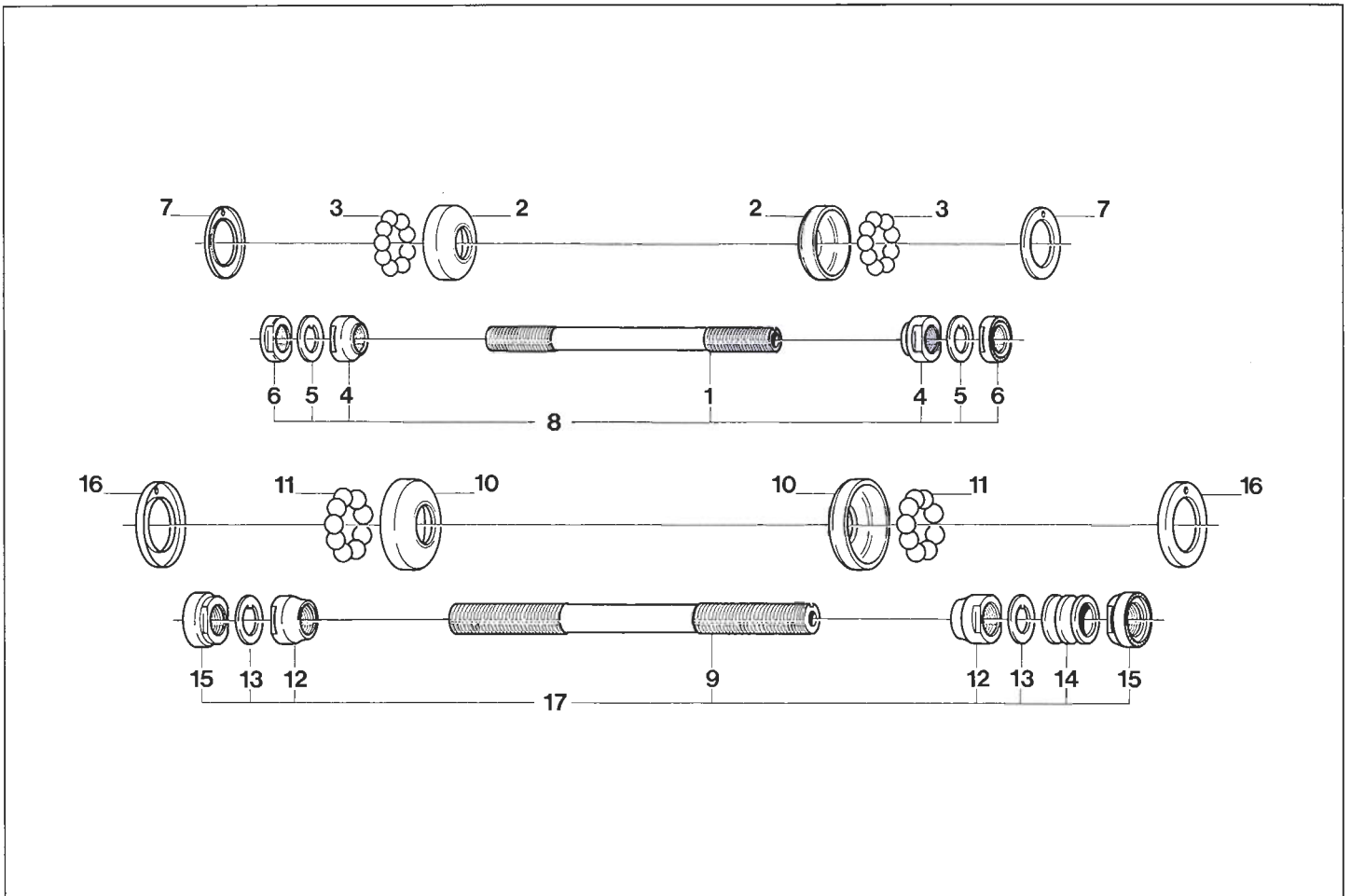


### D031 ATHENA SMALL FLANGE FRONT HUB

- 1 7281023 Hollow axle
- 2 7131051 Cup
- 3 1321004 Balls set  $\varnothing$  3/16" (10+10)
- 4 7133074 Cone
- 5 see spec. Toothed washer
- 6 7161170 Locknut
- 7 7146012 Dust cover
- 8 1281043 Complete axle

### D032 ATHENA SMALL FLANGE REAR HUB

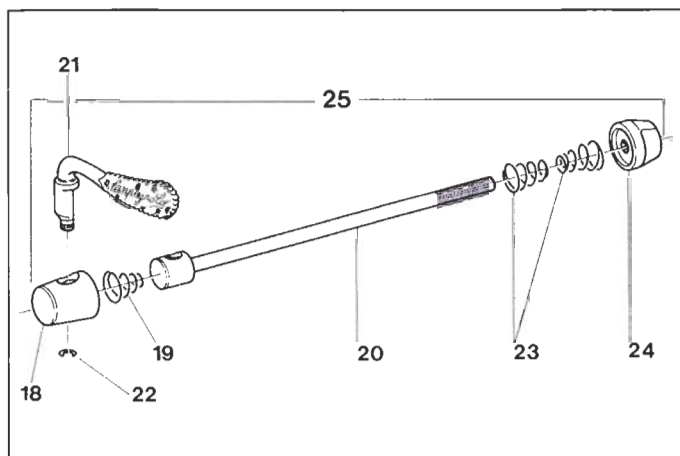
- 9 7281027 7 speed hollow axle
- 9 7281211 6 speed hollow axle
- 10 7131052 Cup
- 11 1321005 Balls set  $\varnothing$  1/4" (9+9)
- 12 7133053 Cone
- 13 see spec. Toothed washer
- 14 see spec. Spacer
- 15 7161173 Locknut by 8 mm.
- 15 7161172 Locknut by 6,5 mm.
- 16 7146013 Dust cover
- 17 1281044 6 speed complete axle, shim adjustment to clearance 36
- 17 1281058 7 speed complete axle, shim adjustment to clearance 36
- 17 1281059 7 speed complete axle, shim adjustment to clearance 37





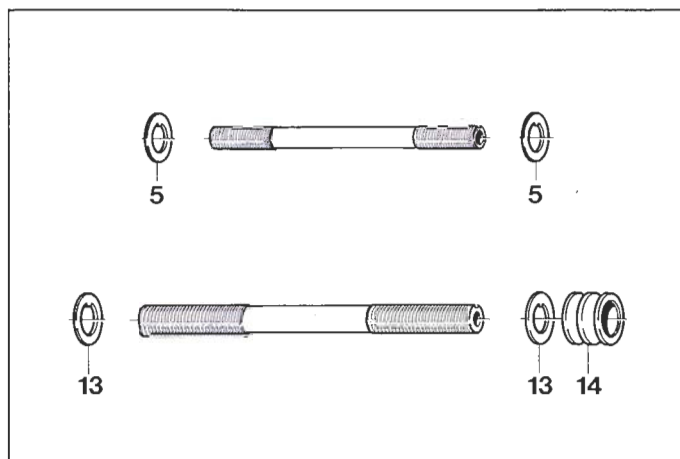
### Quick Releases

- 18 7142009 Cap
- 19 7260014 Tension spring
- 20 7319021 Front hub locking skewer
- 20 7319023 Rear hub 6 speed locking skewer
- 20 7319027 Rear hub 7 speed locking skewer
- 21 7264027 Lever
- 22 7100040 Circlip
- 23 7260002 Conical spring
- 24 7161178 Adjusting nut
- 25 1319060 Front complete quick release
- 25 1319062 Rear 6 speed complete quick release
- 25 1319063 Rear 7 speed complete quick release

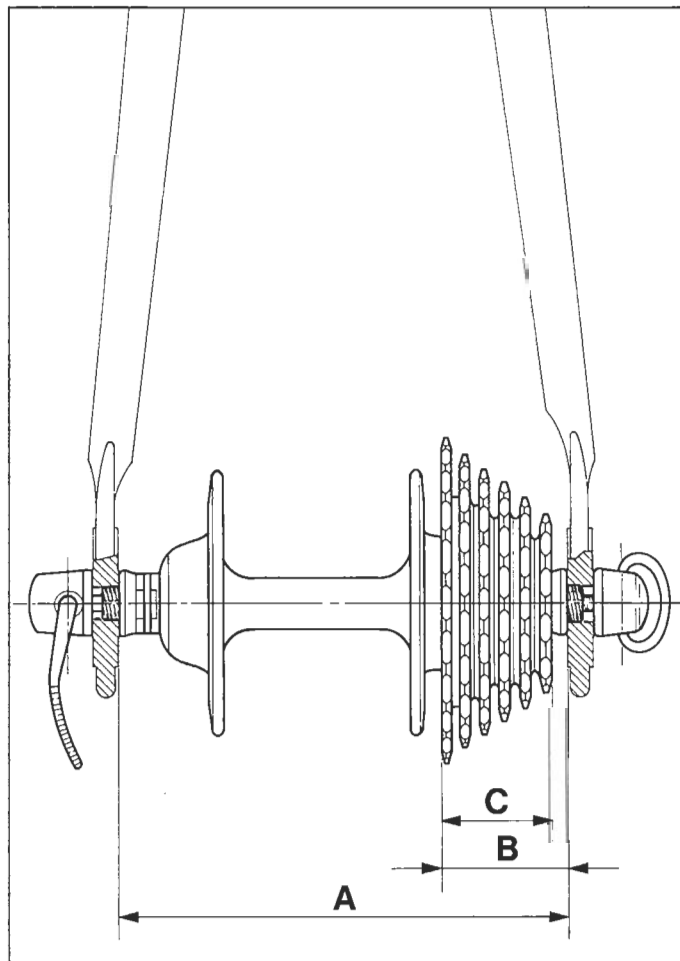


### Washers and spacers specifications

- 5 7300026 Front hub toothed washer by 1 mm.
- 5 7300027 Front hub toothed washer by 1,5 mm.
- 5 7300028 Front hub toothed washer by 2 mm.
- 13 7300040 Rear hub toothed washer by 1 mm.
- 13 7300041 Rear hub toothed washer by 1,5 mm.
- 13 7300042 Rear hub toothed washer by 2 mm.
- 14 7160074 Rear hub spacer by 2,5 mm.
- 14 7160003 Rear hub spacer by 3,5 mm.
- 14 7160014 Rear hub spacer by 12,5 mm.
- 14 7160075 Rear hub spacer by 13,5 mm.



A	B	C
Frame width	R.H. width	Freewheel width
126,5	36	6 sp. up to 32 mm.
	36	7 sp. up to 32 mm.
130	36	6 sp. up to 32 mm.
	36	7 sp. up to 32 mm.
130	37	6 sp. up to 33 mm.
	37	7 sp. up to 33 mm.





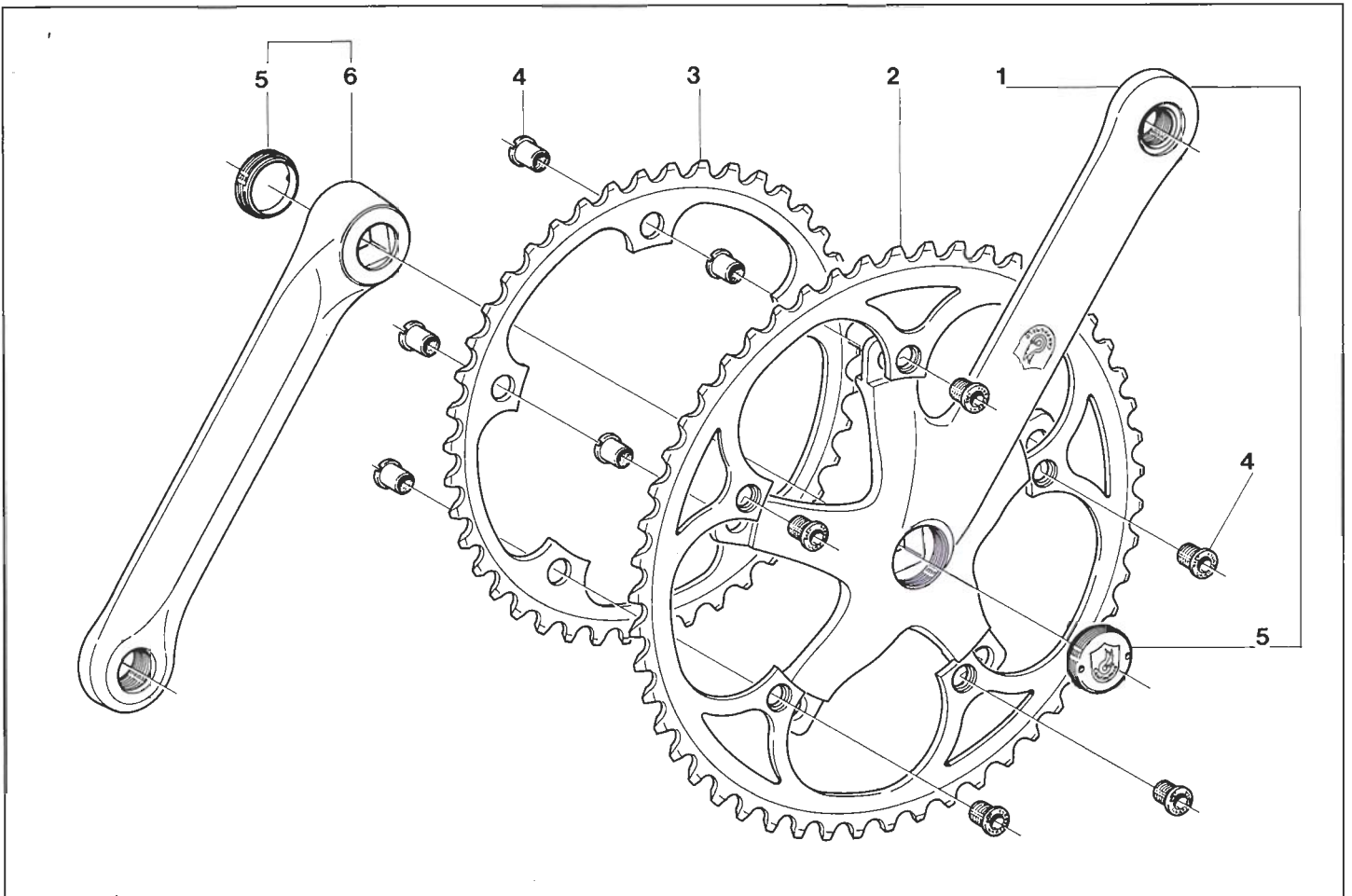
### D040 ATHENA CHAINWHEEL

- 1 D071 R.H. crank, pitch circle diameter 135
- 2 DZ00 Outer ring, pitch circle diameter 135
- 3 AZ001 Inner ring, pitch circle diameter 135
- 4 0100009 Rings fixing screw and nut
- 5 7136059 Crank cover
- 6 D072 L.H. crank



CODE	CRANKS LENGTH	
	170	172,5
D071	●	
D072		●

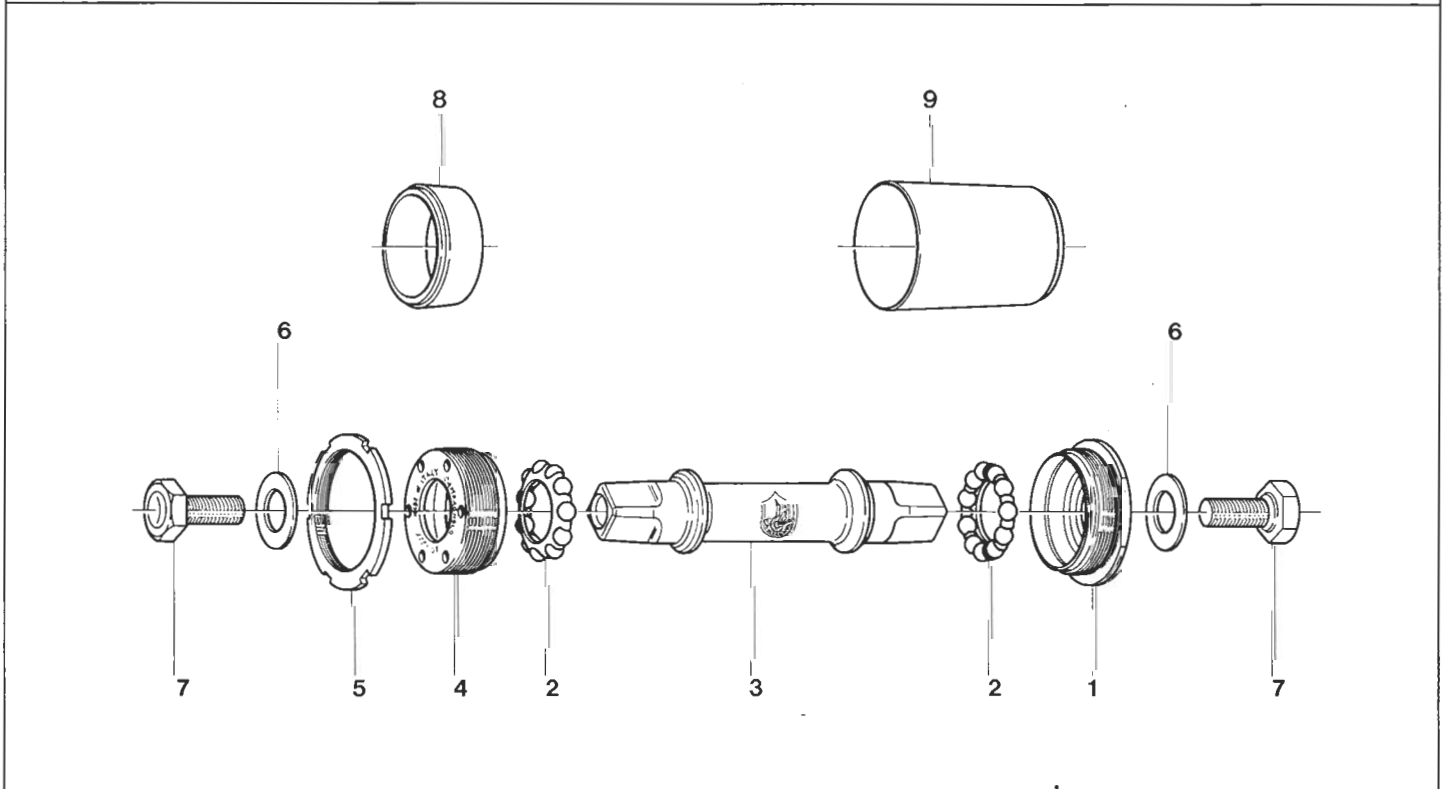
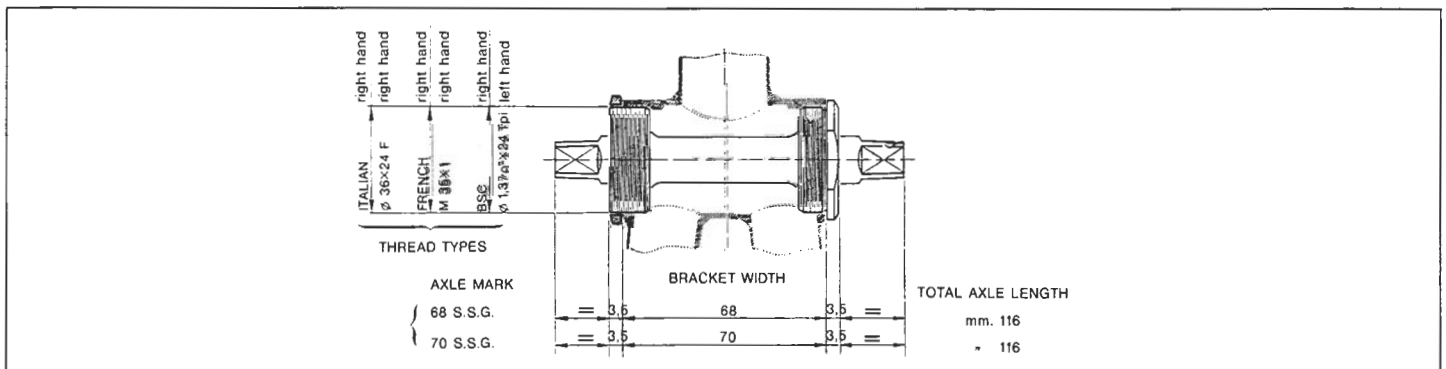
CODE	DESCR.	P.C.D.	RINGS TOOTHING												
			39	40	41	42	43	44	48	49	50	51	52	53	
AZ001	INNER	135	●	●	●	●	●	●							
DZ00	OUTER	135								●	●	●	●	●	●





## D0H0 ATHENA BOTTOM BRACKET

- 1 7131107 R.H. fixed cup, Italian thread
- 1 7131108 R.H. fixed cup, French thread
- 1 7131109 R.H. fixed cup, BSC thread
- 2 1134003 Balls set  $\varnothing$  1/4"
- 3 7281271 68 SS axle
- 3 7281272 70 SS axle
- 4 7131110 L.H. adjustable cup, Italian thread
- 4 7131111 L.H. adjustable cup, French thread
- 4 7131112 L.H. adjustable cup, BSC thread
- 5 7203001 L.H. cup lockring - Italian thread
- 5 7203002 L.H. cup lockring - French thread
- 5 7203003 L.H. cup lockring - BSC thread
- 6 7300025 Crank fixing screw washer
- 7 7350025 Crank fixing screw
- 8 7100009 Conical ring for sleeve
- 9 7201012 Sleeve

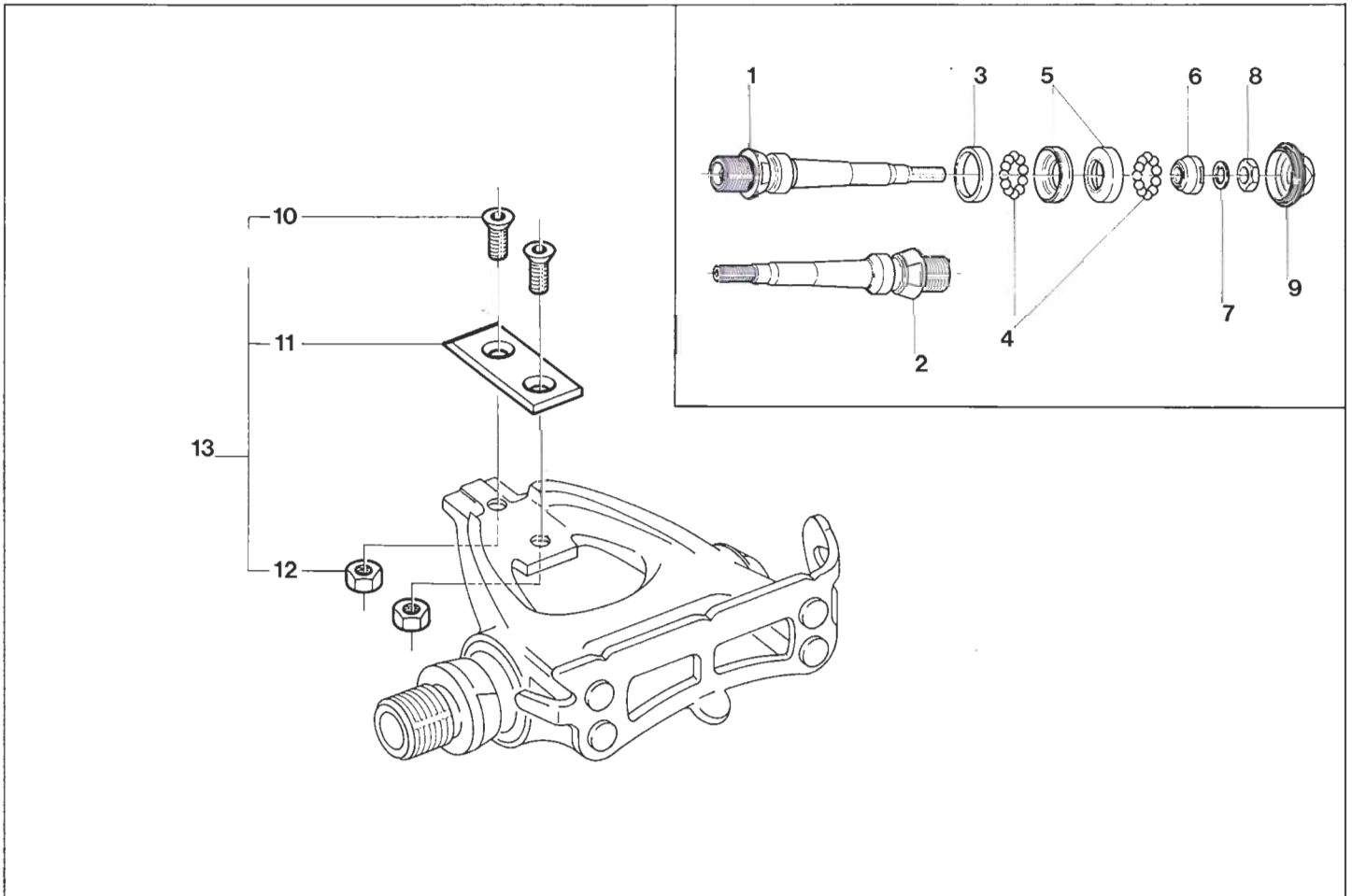




**D601-AM ATHENA R.H. PEDAL**  
**D602-AM ATHENA L.H. PEDAL**

- 1 7281292 R.H. axle
  - 2 7281291 L.H. axle
  - 3 7146001 Dust cover
  - 4 1321008 Balls set  $\varnothing$  5/32" (24 + 24)
  - 5 7131053 Cup
  - 6 7133002 Cone
  - 7 7300001 Toothed washer
  - 8 7161001 Locknut
  - 9 7136029 Cover
  - 10 7350149 Toe-clip fixing screw
  - 11 7283044 Toe-clip fixing plate
  - 12 7161096 Toe-clip fixing nut
  - 13 1134028 Toe-clip plate and fixing screws set
- 0F22-A Steel toe-clip: small (S) - medium (M) - large (L)  
 1153004 Single layer leather strap

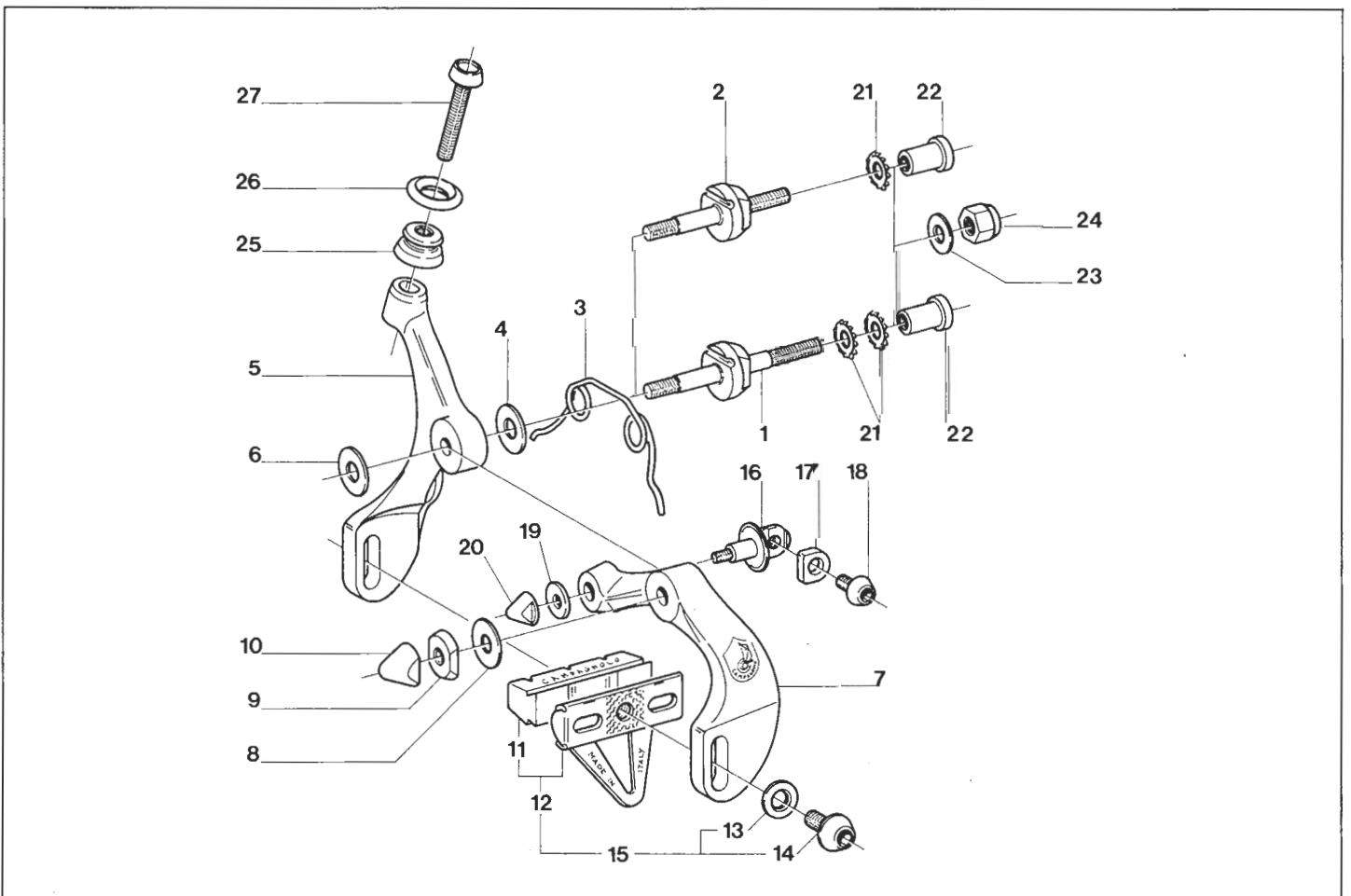
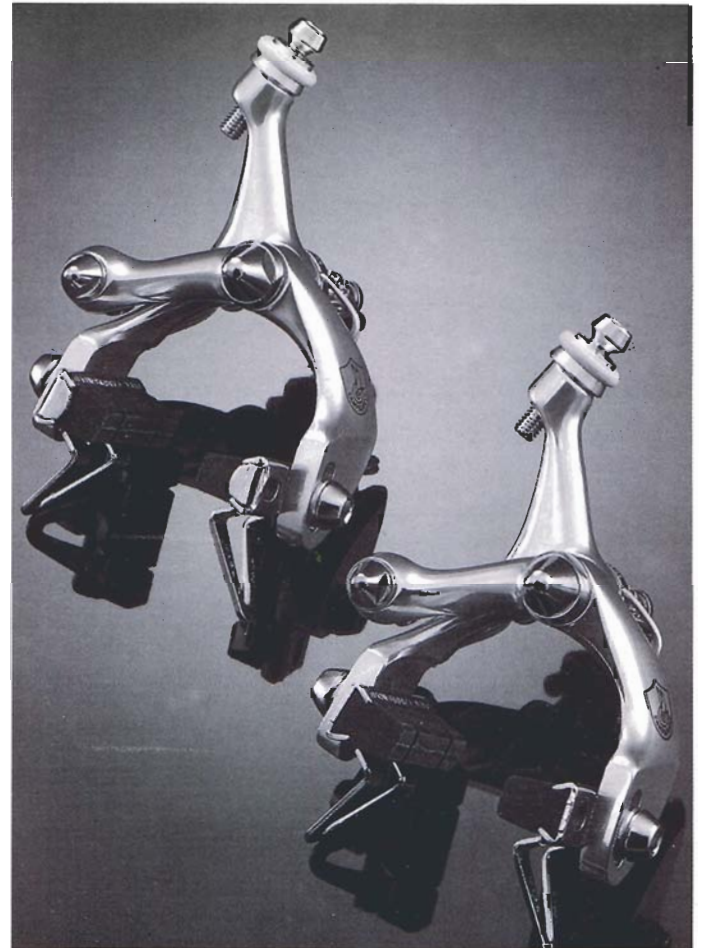
Remark: The pedals are supplied complete with toe-clip and strap

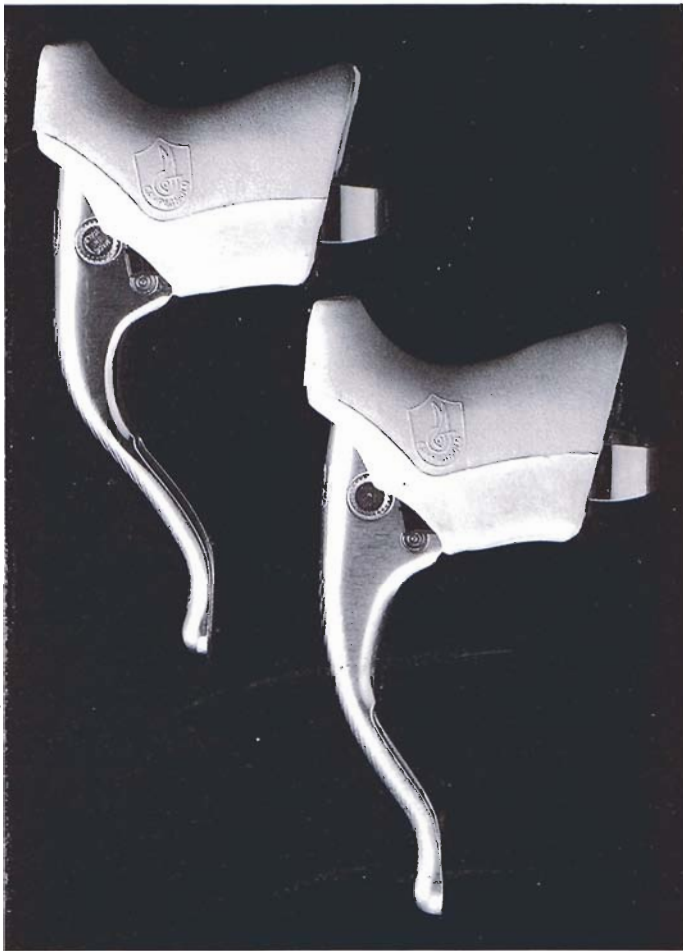




**D051 ATHENA FRONT BRAKE**  
**D052 ATHENA REAR BRAKE**

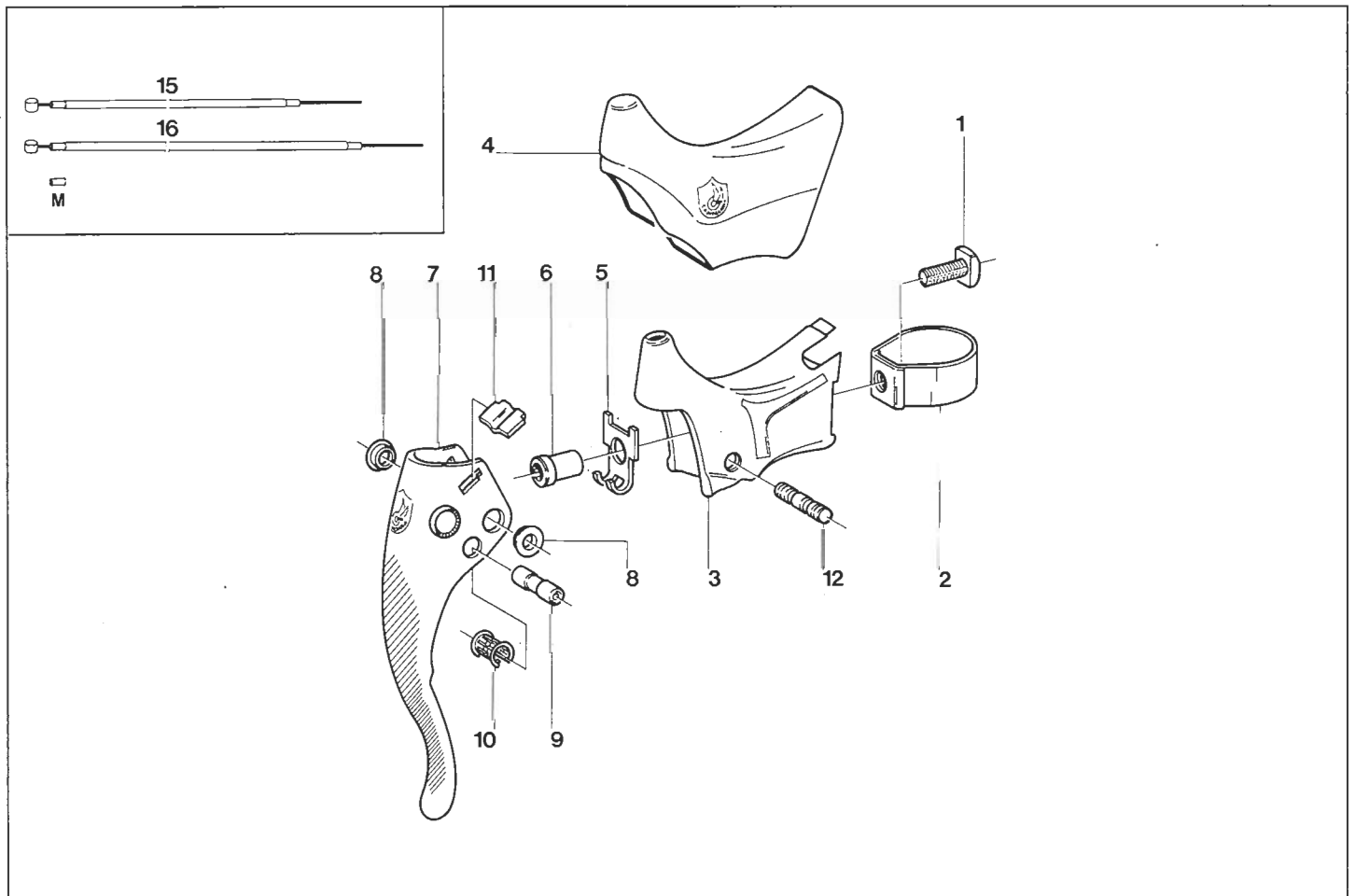
- 1 7281275 Front brake allen center bolt
- 2 7281276 Rear brake allen center bolt
- 3 7260115 Brake shoe lever return spring
- 4 7300004 Sliding washer
- 5 7241083 Rear brake shoe lever
- 6 7300005 Inner sliding washer
- 7 7241082 Front brake shoe lever
- 8 7300146 Brake lever fixing nut washer
- 9 7161180 Lever fixing nut
- 10 7161182 Locknut
- 11 7289007 Brake block
- 12 2290020 R.H. brake shoe with block, without screw and washer
- 12 2290021 L.H. brake shoe with block, without screw and washer
- 13 7300003 Washer
- 14 7350254 Block fixing screw
- 15 1290027 R.H. complete brake shoe
- 15 1290028 L.H. complete brake shoe
- 16 7281273 Cable clamp axle
- 17 7300183 Cable clamp washer
- 18 7950237 Cable clamp screw
- 19 7300186 Axle fixing nut washer
- 20 7161183 Axle fixing nut
- 21 7300164 Indented washer
- 22 7161105 Allen recessed nut
- 23 7300003 Washer
- 24 7161072 Self-locking nut
- 25 7161139 Casing end adjusting nut
- 26 7208011 Adjusting nut rubber
- 27 7350005 Casing end screw





### D053 ATHENA BRAKE LEVER

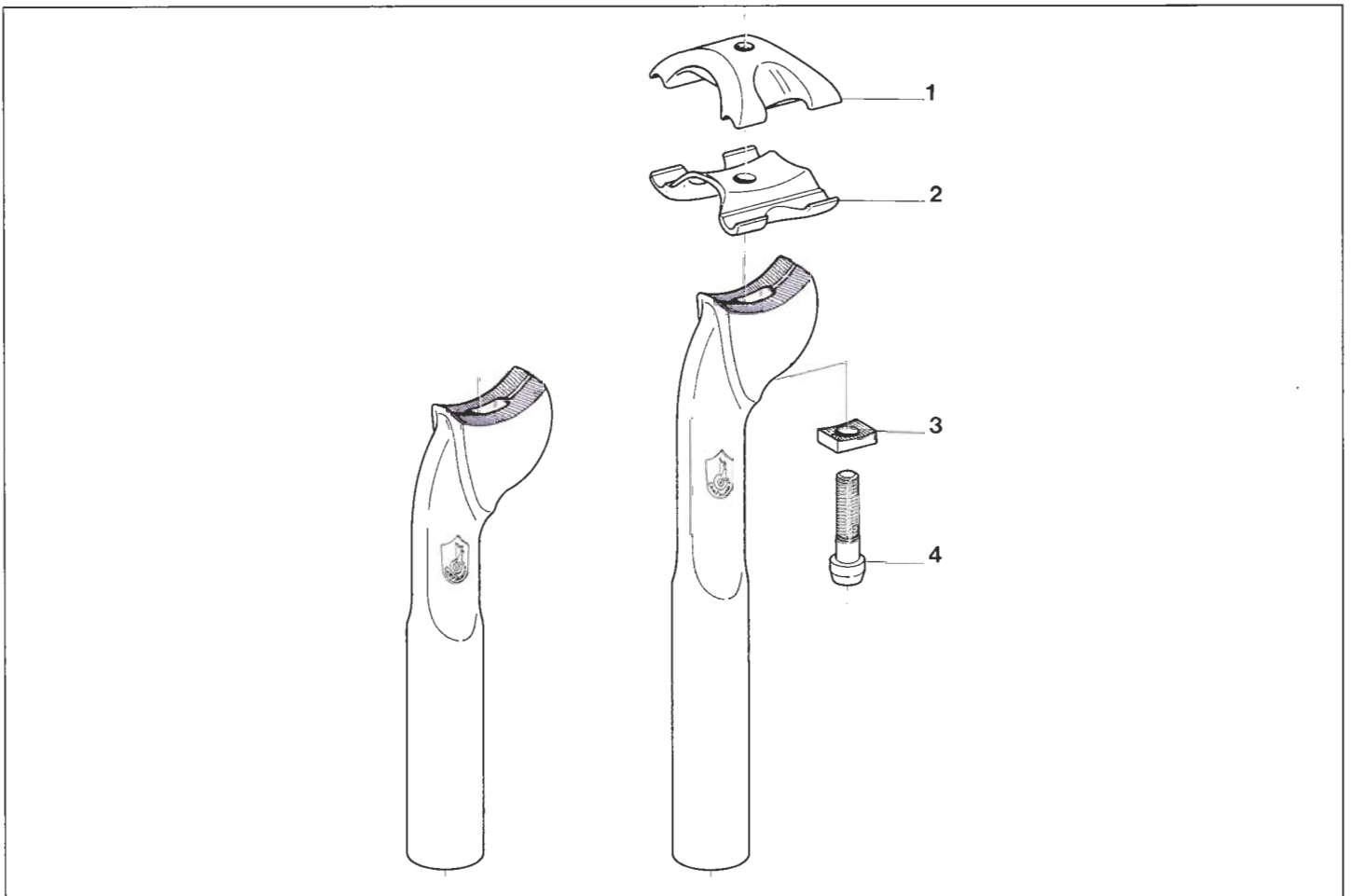
- 1 7350221 Fixing screw
- 2 7182031 Fixing clip
- 3 7143877 Body
- 4 7201041 Hood
- 5 7300203 Washer
- 6 7161105 Allen recessed nut
- 7 1241027 Quick release lever with cable holder
- 8 1241036 Compact lever
- 9 7116083 Bush
- 10 7281220 Quick release lever axle
- 11 7260116 Quick release lever spring
- 12 7283057 Guidecable plate
- 13 7281280 Body pivot pin
- 14 0120059 Front brake cable and casing
- 15 0120060 Rear brake cable and casing
- M 7140004 Casing end (not assembled)





**COR1 CHORUS SEAT PIN 180 mm.**  
**COR1-S CHORUS SEAT PIN 130 mm.**

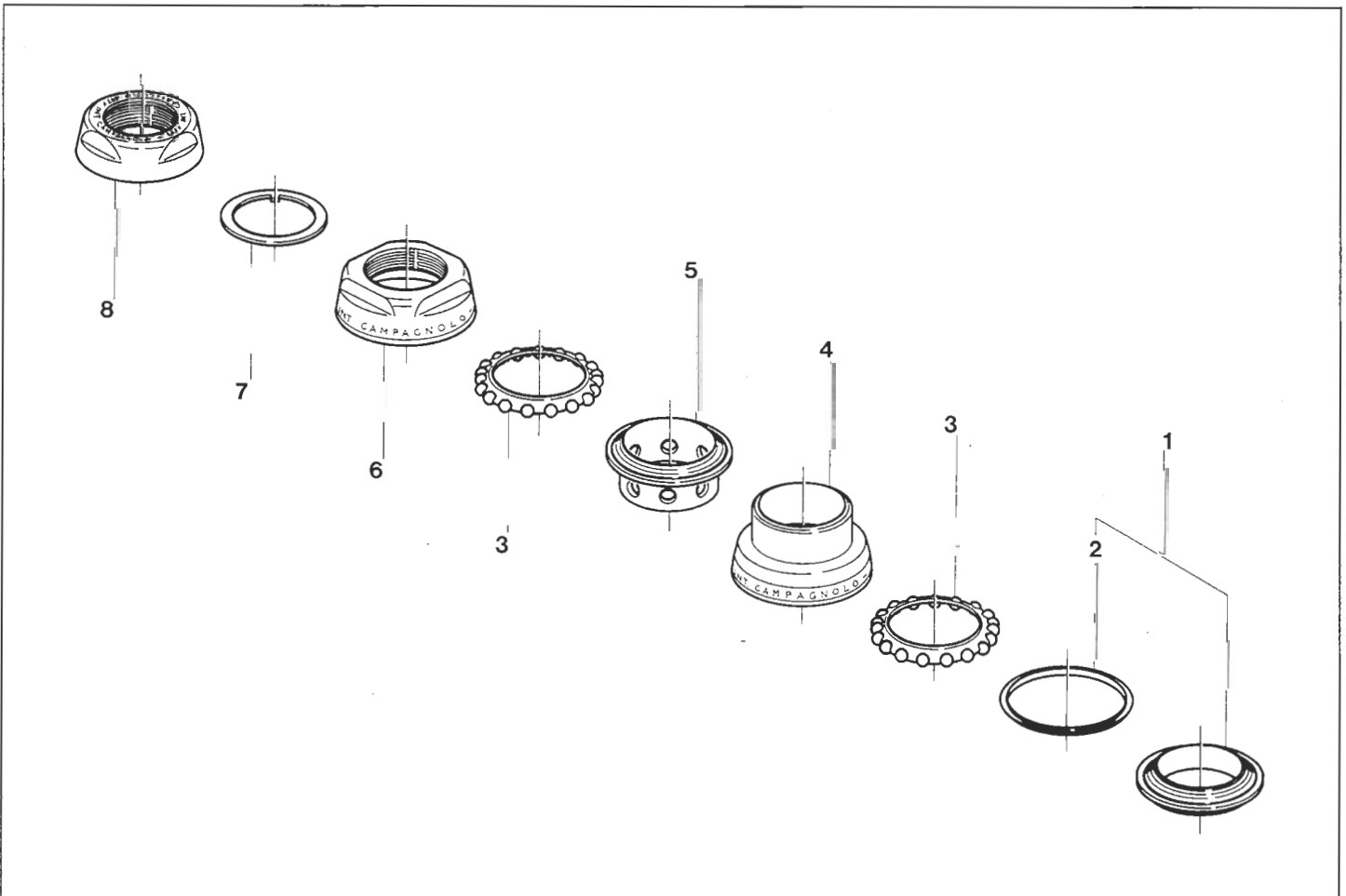
- 1 7320024 Bracket
- 2 7316013 Sliding support
- 3 7300197 Concave washer
- 4 7350152 Fixing screw





### D0D0 ATHENA HEAD SET

- 1 1133003 Lower cone with jointing
- 2 7211007 Jointing
- 3 1134002 Balls set  $\varnothing$  3/16" (20 + 20)
- 4 1131063 Lower cup
- 5 7133085 Upper cone
- 6 1131062 Upper cup, Italian thread
- 6 1131061 Upper cup, French thread
- 6 1131060 Upper cup, BSC thread
- 7 7300119 Toothed washer, Italian/BSC thread
- 7 7300120 Toothed washer, French thread
- 8 7161192 Locknut, Italian thread
- 8 7161193 Locknut, French thread
- 8 - 7161194 Locknut, BSC thread





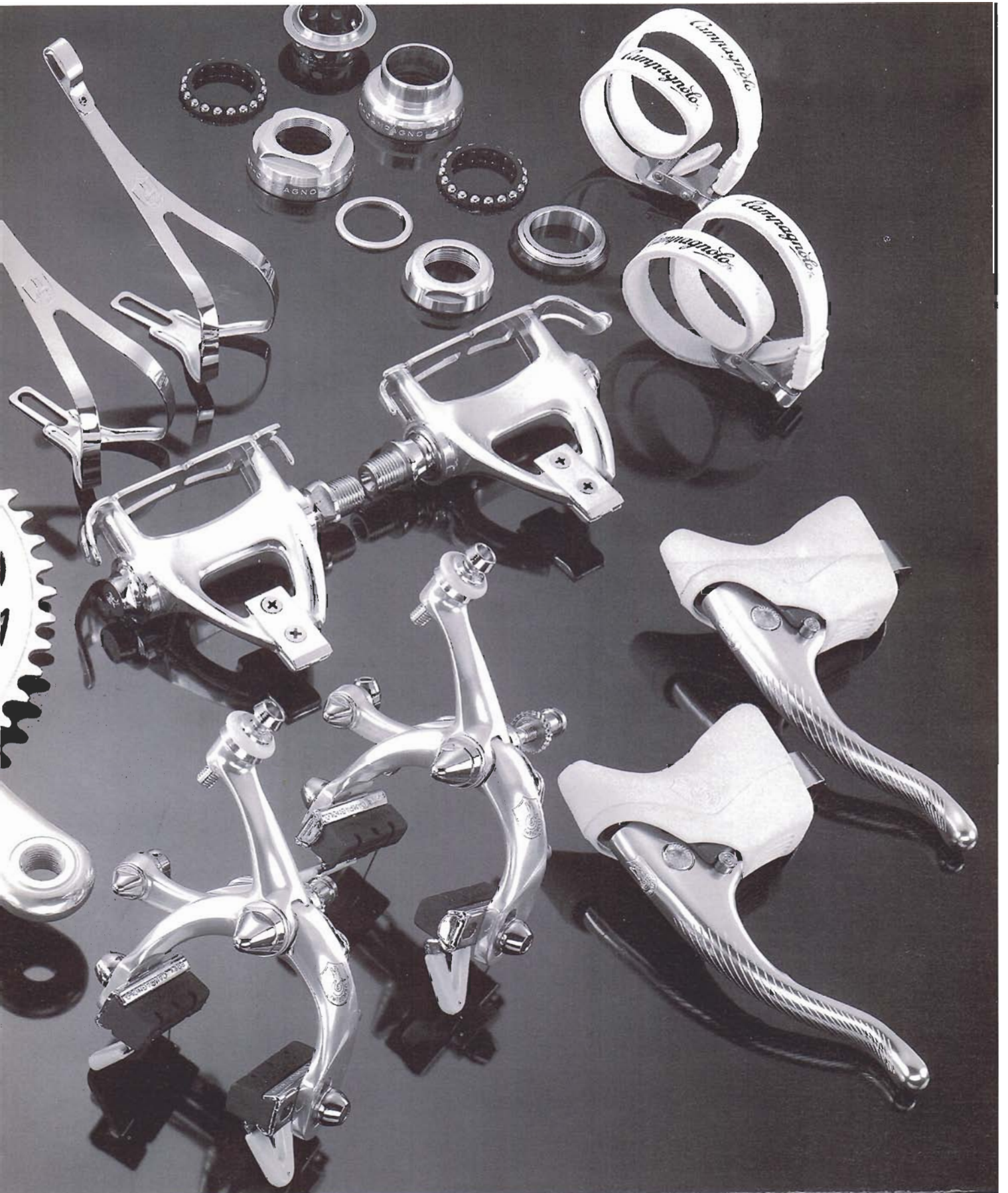






# CHORUS. GROUP





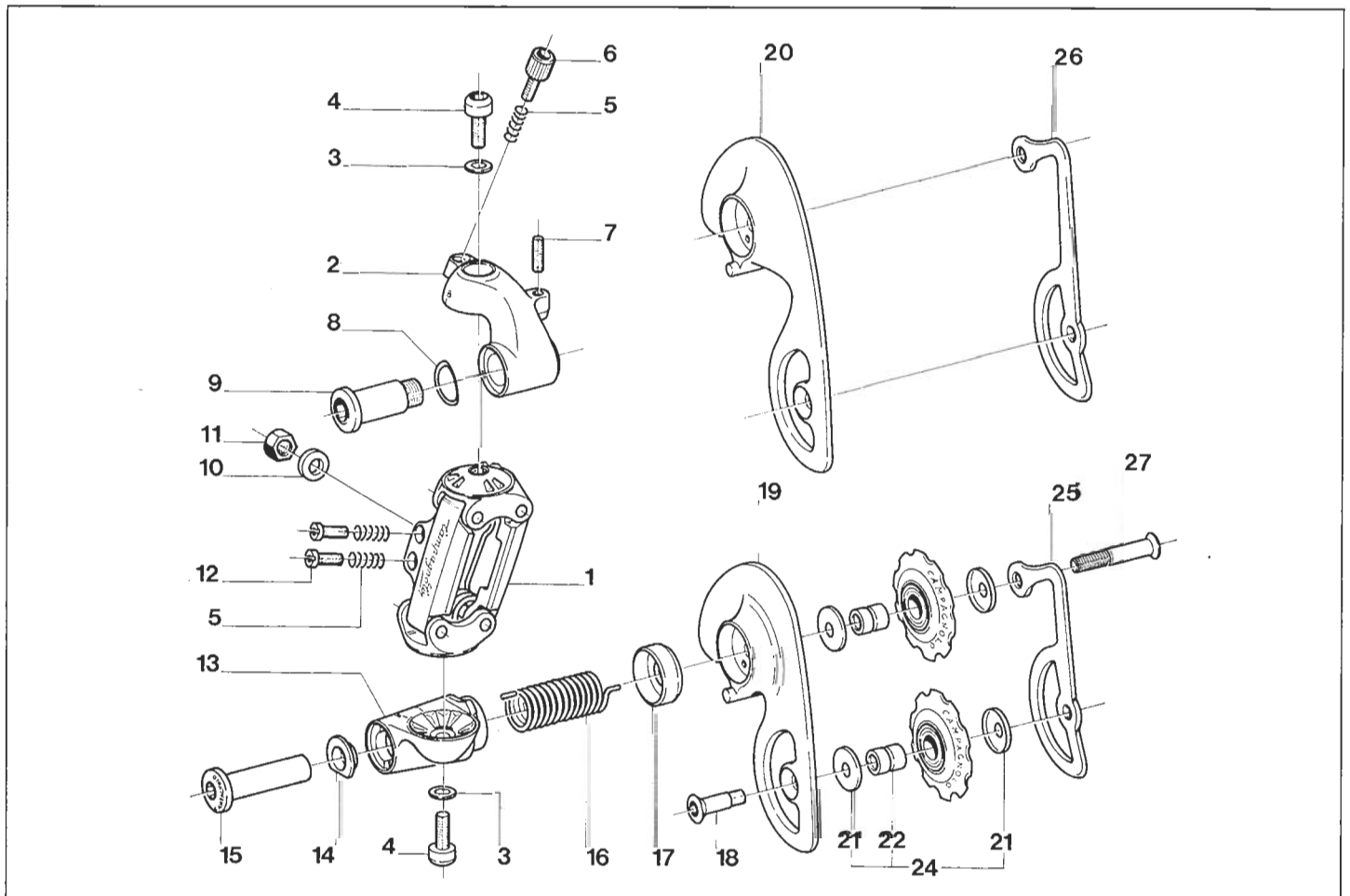
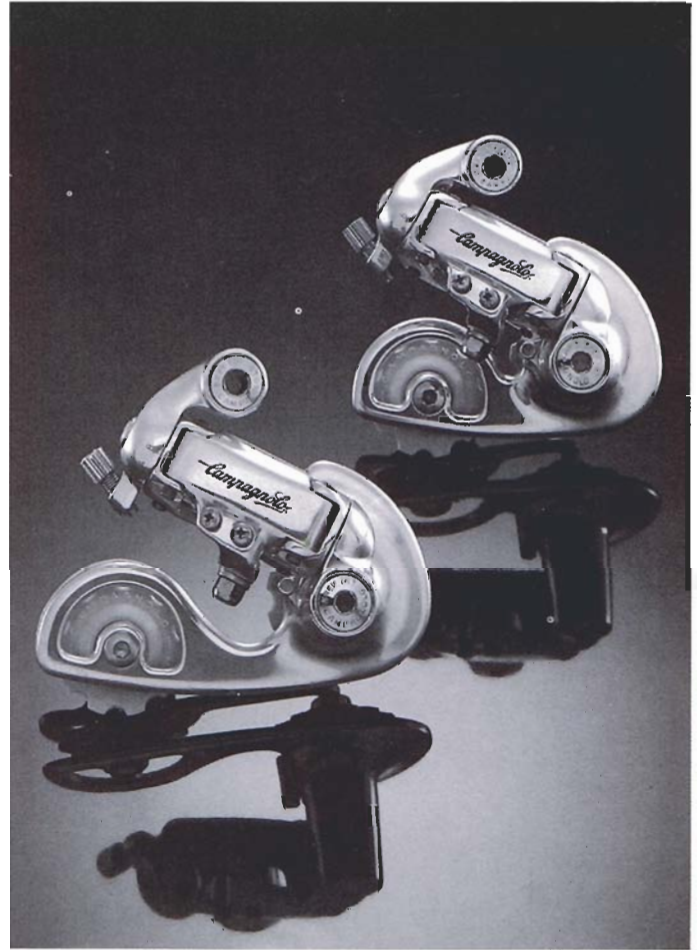
Basic Group		
CODE	COMPONENTS	VARIANTS
C010	Chorus SM gear	
C021	Chorus braze-on front changer	C022 Chorus clip-on front changer (pipes $\varnothing$ 28,5 mm.)
A281	Record Friction braze-on levers	
C300	Chorus small flange quick release hubs, 36 holes, rear width 126,5 / RH 36, Italian thread mm. 35 $\times$ 24 F	Drillings: 32 Rear width: 130 / RH 36 - 130 / RH 37 Thread: BSC 1,370" $\times$ 24 F - FR M 34,7 $\times$ 1
C040	Chorus chainwheel, pitch circle diameter 135, crank 170 mm. - 42/52 t.	Cranks length: 172,5 - 175 Inner rings tothing: 39 - 40 - 41 - 43 - 44 - 45 - 46 - 47 Outer rings tothing: 48 - 49 - 50 - 51 - 53 - 54
C0H0	Chorus bottom bracket Italian thread mm. 36 $\times$ 24 F Width 70 mm.	Thread: BSC 1,370" $\times$ 24 TPI - FR M 35 $\times$ 1 Width: 68 mm.
C600-AM	Chorus pedals complete with medium (M) steel toe-clip and single layer leather strap	Toe-clip length: small (S) - large (L)
C500	Chorus «Mono-Planer System» brakes complete with two brake levers, cables and casings	Athena Compact brake lever (code D056)
C0R2	Chorus styled seat pin 180 mm. $\varnothing$ 27,2 complete with fixing screw and nut $\varnothing$ 8	Length: 180 mm. (code C0R2) $\varnothing$ : 25 - 26,2 - 26,4 - 26,6 - 26,8 - 27 Length: 130 mm. (code C0R2-S) $\varnothing$ : 25 - 26,2 - 26,4 - 26,6 - 26,8 - 27 - 27,2
C0D0	Chorus aluminium head set, Italian thread mm. 25,4 $\times$ 24 F	Thread: BSC 1" $\times$ 24 TPI - FR M 25 $\times$ 1
1120005	Biodynamic bottle with cage	

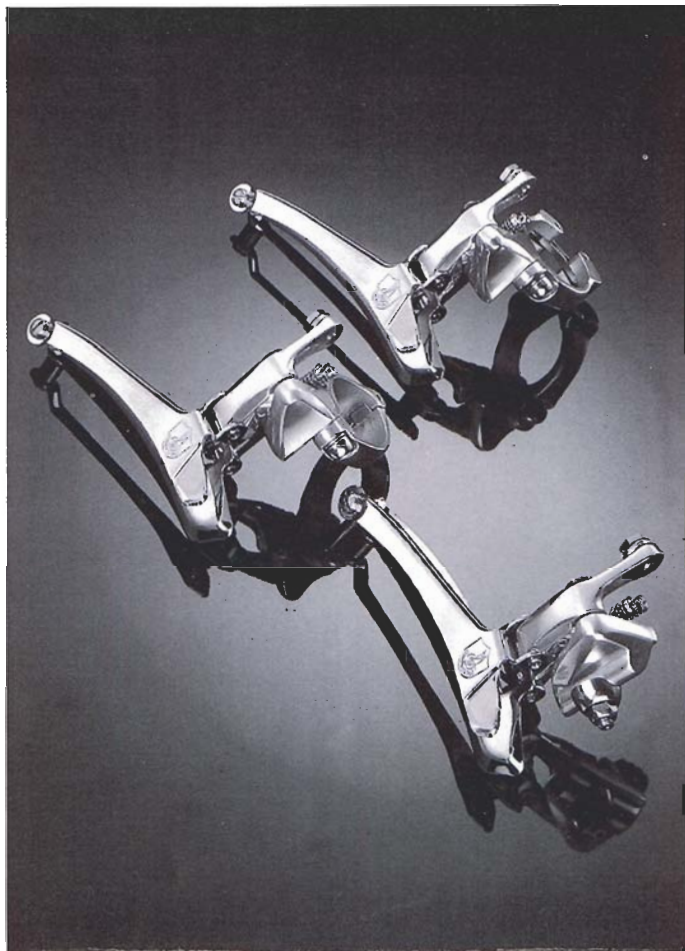




**C010 CHORUS SM GEAR**  
**C010-LG CHORUS LG GEAR**

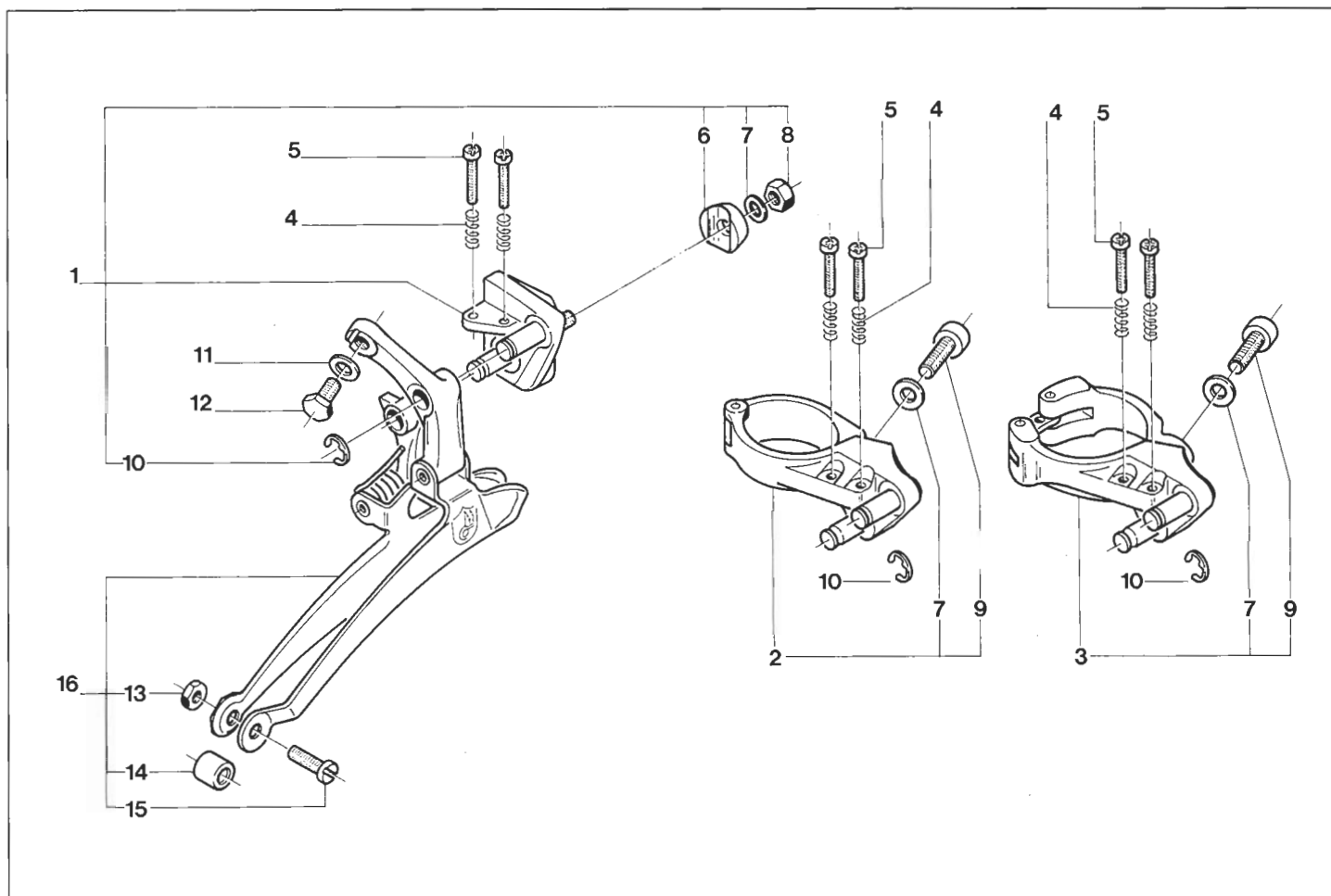
- 1 1284018 Complete parallelogram
- 2 7143784 SM gear upper body
- 2 7143785 LG gear upper body
- 3 7304006 Elastic washer
- 4 7350224 Rotating body fixing screw
- 5 7260094 Front changer adjusting screw spring
- 6 7350227 Casing adjusting screw
- 7 7200017 LG gear adjusting dowel
- 8 7304009 Convex elastic washer
- 9 7350223 Fixing pivot
- 10 7300114 Fixing cable screw washer
- 11 7161187 Fixing cable screw nut
- 12 7350203 Front changer adjusting screw
- 13 7143786 Gear lower body
- 14 7116059 Pivot bolt body bush
- 15 7350235 Pivot bolt screw
- 16 7260104 Cage plate rotating spring
- 17 7116088 Lower body ferrule
- 18 7350165 Lower roller fixing screw
- 19 7119036 SM gear outer cage plate
- 20 7119035 LG gear outer cage plate
- 21 7146005 Roller dust cover
- 22 7116006 Roller bush
- 24 1302005 Complete roller
- 25 7119037 SM gear inner cage plate
- 26 7119034 LG gear inner cage plate
- 27 7350229 Upper roller fixing screw





**C021 CHORUS BRAZE-ON FRONT CHANGER**  
**C022 CHORUS CLIP-ON FRONT CHANGER**  
**C023 CHORUS ADJUSTABLE CLIP-ON FRONT CHANGER**

- 1 1143072 Complete body (without b/o boss)
- 2 1143073 Clip-on complete body
- 3 1143074 Adjustable clip-on complete body
- 4 7260105 Adjusting screw spring
- 5 7350228 Fork end adjusting screw
- 6 7300161 Braze-on front changer concave washer
- 7 7300117 Clip fixing screw washer
- 8 7161187 Fixing screw nut
- 9 7350145 Clip-on front changer fixing screw
- 10 7100008 Circlip
- 11 7300114 Fixing cable screw washer
- 12 7350002 Fixing cable screw
- 13 7161096 Fork connecting nut in stainless steel
- 14 7116011 Fork bush
- 15 7350106 Fork connecting chrome-plated screw
- 16 1180010 Complete fork



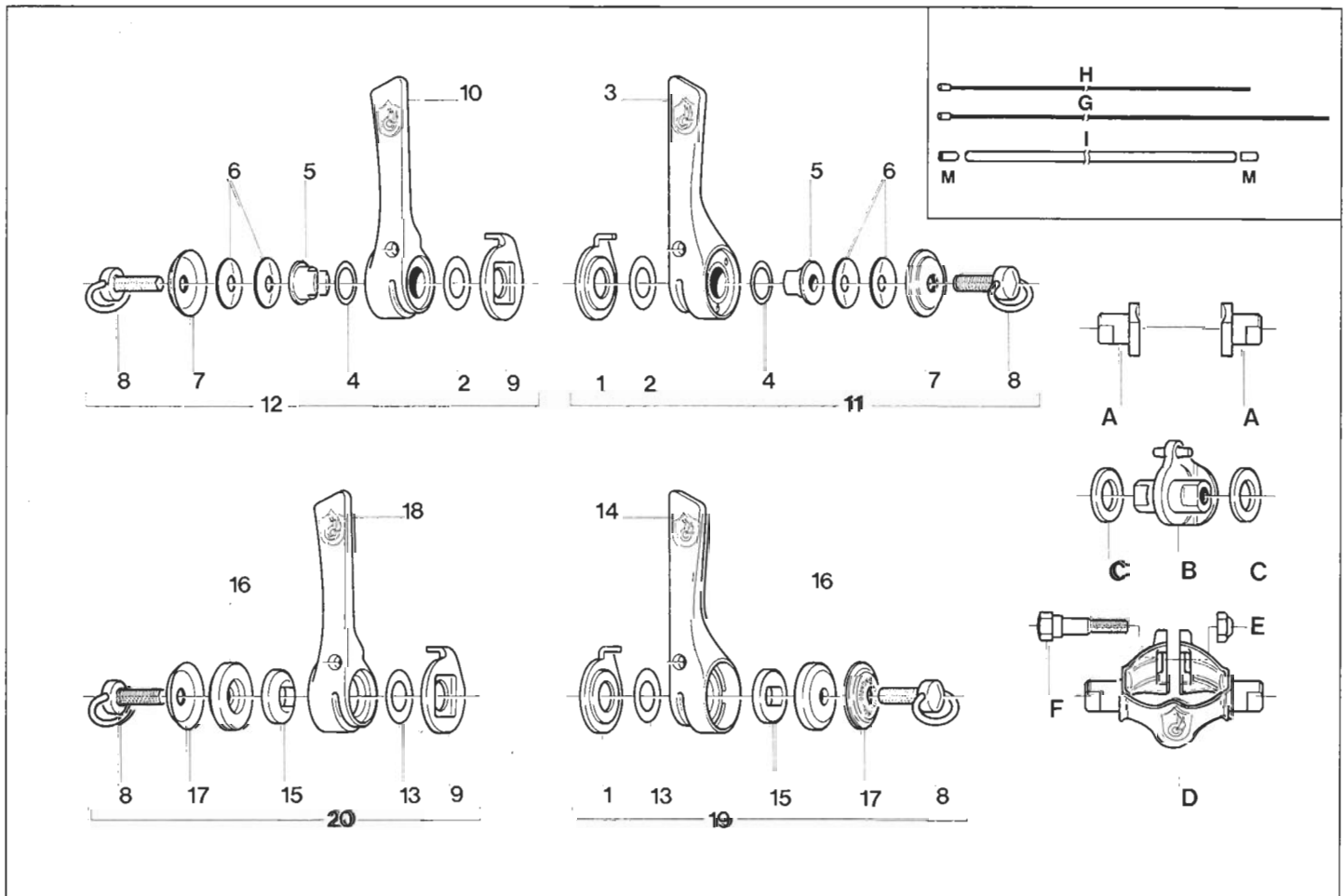


**A281 RECORD FRICTION BRAZE-ON LEVERS**  
**A282 RECORD FRICTION CLIP-ON LEVERS**  
**A283 RECORD FRICTION ON TOP OF TUBE LEVERS**

- 1 7320031 R.H. bracket
- 8 1202005 Adjusting wing nut
- 9 7320032 L.H. bracket
- 13 7300178 Bracket washer
- 14 7264041 R.H. lever
- 15 7306003 Friction washer
- 16 7160076 Spacer
- 17 7136040 Cover
- 18 7264042 L.H. lever
- 19 0118091 Gear Record Friction complete lever
- 20 0118092 Front changer Record Friction complete lever

**A271 RECORD DOPPLER BRAZE-ON LEVERS**  
**A272 RECORD DOPPLER CLIP-ON LEVERS**  
**A273 RECORD DOPPLER ON TOP OF TUBE LEVERS**

- 1 7320031 R.H. bracket
- 2 7306004 Inner friction washer
- 3 1264014 R.H. lever
- 4 7306005 Outer friction washer
- 5 7325002 Square boss milled shim
- 6 7260086 Cup spring
- 7 7136040 Cover
- 8 1202005 Adjusting wing nut
- 9 7320032 L.H. bracket
- 10 1264015 L.H. lever
- 11 0118071 Gear Record Doppler complete lever
- 12 0118072 Front changer Record Doppler complete lever
- A 7102002 Braze-on lever square boss
- B 7316014 On top of tube braze-on boss
- C 7300149 On top of tube double lever washer
- D 1182023 Double lever clip
- E 7161095 Fixing clip nut
- F 7350009 Fixing clip screw
- G 7145028 Gear cable
- H 7145029 Front changer cable
- I 0120062 Casing and casing end (not assembled)
- M 7140003 Casing end





**A221 RECORD SYNCRO BRAZE-ON LEVERS**  
**A222 RECORD SYNCRO CLIP-ON LEVERS**  
**A223 RECORD SYNCRO ON TOP OF TUBE LEVERS**

- |    |           |   |
|----|-----------|---|
| 1  | 7320038   | R.H. bracket  |
| 2  | 7300178   | Bracket washer                                      |
| 3  | 7264043   | R.H. lever  |
| 4  | 7300196   | Spacing washer                                      |
| 5  | 7260108   | R.H. lever spring 6                                 |
| 6  | see table | Micrometric insert                                  |
| 7  | 7116085   | Release bush  |
| 8  | 1136013   | R.H. lever adjusting wing nut                       |
| 9  | 7320026   | L.H. bracket  |
| 10 | 7300104   | Washer  |
| 11 | 7264044   | L.H. lever  |
| 12 | 7306003   | Friction washer                                     |
| 13 | 7300115   | Washer  |
| 14 | 7136021   | Cover   |
| 15 | 7260067   | Disc spring   |
| 16 | 1202001   | Adjusting wing nut                                  |
| 17 | 0118130   | Gear Record Syncro complete lever, without insert 6 |
| 18 | 0118113   | Front changer Record Syncro complete lever          |
| A  | 7102002   | Braze-on lever square boss                          |
| B  | 7316014   | On top of tube braze-on boss                        |
| C  | 7306010   | Washer  |
| D  | 1182023   | Double lever clip                                   |
| E  | 7161095   | Fixing clip nut                                     |
| F  | 7350009   | Fixing clip screw                                   |
| G  | 7145028   | Gear cable  |
| H  | 7145029   | Front changer cable                                 |
| I  | 0120062   | Casing and casing end (not assembled)               |
| M  | 7140003   | Casing end  |

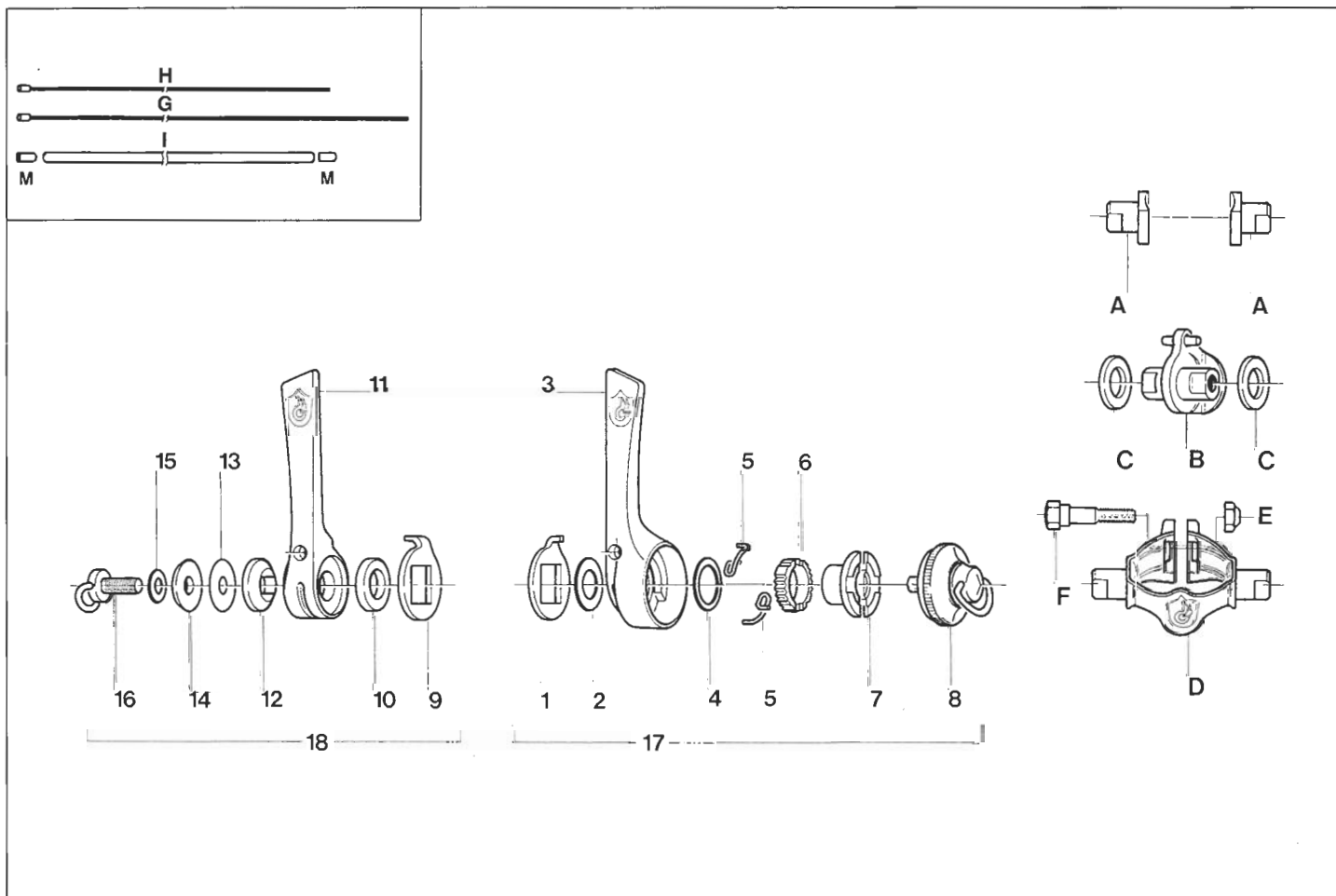






TABLE FOR THE BEST CONNECTION OF «RECORD SYNCRO» LEVERS WITH FREEWHEELS, CHAINS AND GEARS

GEARS	RECORD	SUPER RECORD	VICTORY TRIOMPHE	CHORUS	CHORUS	CROCE D'AUNE SM	CROCE D'AUNE LG	ATHENA
6 SPEED FREE WHEELS	6 V	6 V	6 V	A 6	B 6	6 V	6 V	6 V
CAMPAGNOLO	● * ■	● * ■	● * ■	● * ■	● * ■	● * ■	● * ■	● * ▲ ■ ○
MAILLARD 700 COURSE	● * ▲ ■	● * ▲ ■	● * ▲ ■	● * ▲ ■	● * ▲ ■	● * ▲ ■	● * ▲ ■	● * ▲ ■ ○
REGINA AMERICA	● * ▲	● * ▲ ■	● * ▲ ■	● * ■	● * ■	● * ▲ ■	● * ▲ ■	● * ▲ ■ ○
REGINA ORO	● * ▲	● * ▲ ■	● * ▲ ■	● * ▲ ■	● * ▲ ■	● * ▲ ■	● * ▲ ■	
SUNTOUR WINNER	● * ▲ ■	● * ▲ ■	● * ▲ ■	● * ▲ ■	● * ▲ ■	● * ▲ ■	● ▲ ■	* ▲
SHIMANO 105	● * ▲	● * ▲	● * ▲	● * ▲ ■	● * ▲ ■	● * ▲	● * ▲	● * ▲ ■
SHIMANO DURA ACE	● * ▲	● * ▲	● * ▲	● * ▲ ■	● * ▲ ■	● * ▲	● * ▲	● * ▲ ■
CAIMI	● * ▲ ■	● * ▲ ■	● * ■	● * ▲ ■	● * ▲ ■	● * ▲ ■	● * ▲ ■	● * ▲ ■ ○

GEARS	RECORD	SUPER RECORD	VICTORY TRIOMPHE	CHORUS	CHORUS	CROCE D'AUNE SM	CROCE D'AUNE LG	ATHENA
7 SPEED FREE WHEELS	7 V	7 V	7 V	A 7	B 7	7 V	7 V	7 V
CAMPAGNOLO SERVIZIO CORSA COMPACT	● ■	● ■	● ■	● * ■	● * ■	● * ■	● * ■	● * ■
MAILLARD 700 COMPACT	● ■	● ■	● ▲ ■	● * ▲ ■	● * ▲ ■	● * ▲ ■	● * ▲ ■	● * ■
REGINA CX S COMPACT	● ■	● ■	● ■	● * ▲ ■	● * ▲ ■	● * ▲ ■	● * ▲ ■	● * ▲ ■
SUNTOUR W.P. UC 7000	● ▲	● ■	● ■	● * ■	● * ■	● * ▲	* ▲	
SHIMANO DURA ACE	● *	● *	● *	● *	● *	● * ▲	● * ▲	● * ▲ ■
CAIMI COMPACT	● ▲ ■	● ▲	● ▲ ■	● * ■	● * ■	* ▲ ■	▲ ■	● * ▲ ■ ○

Symbols meaning:

● Regina CX S chain - ■ Sedis Sport chain - ▲ Suntour UC 6000 chain - \* Shimano Uniglide 600 chain - ○ Union de luxe

Remark: For Super Record, Victory, Triomphe (extensible to Nuovo Record and LZ) code 7222064.

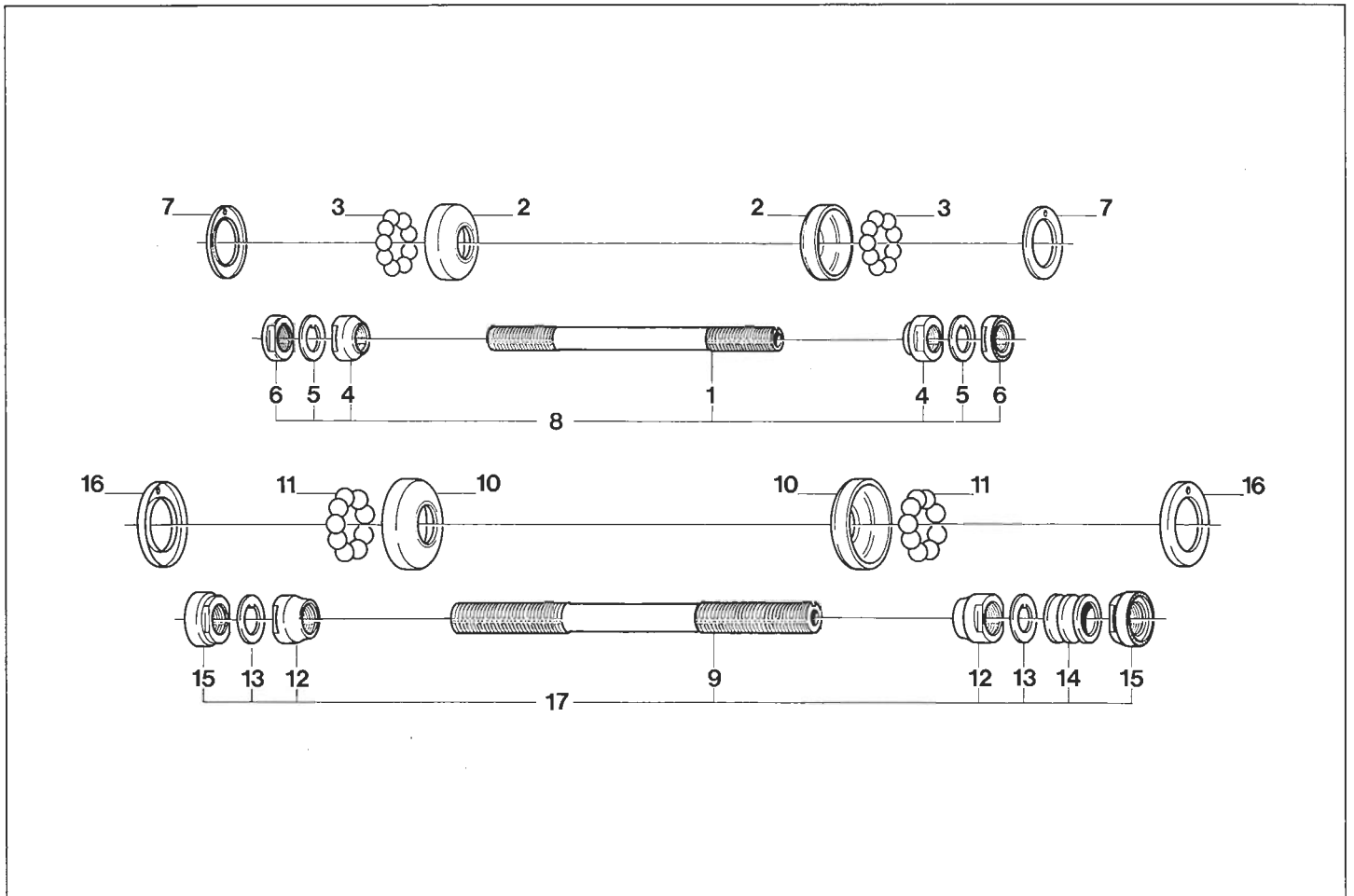


### C031 CHORUS SMALL FLANGE FRONT HUB

- 1 7281023 Hollow axle
- 2 7131051 Cup
- 3 1321004 Balls set  $\varnothing$  3/16" (10 + 10)
- 4 7133074 Cone
- 5 see spec. Toothed washer
- 6 7161170 Locknut
- 7 7146012 Dust cover
- 8 1281043 Complete axle

### C032 CHORUS SMALL FLANGE REAR HUB

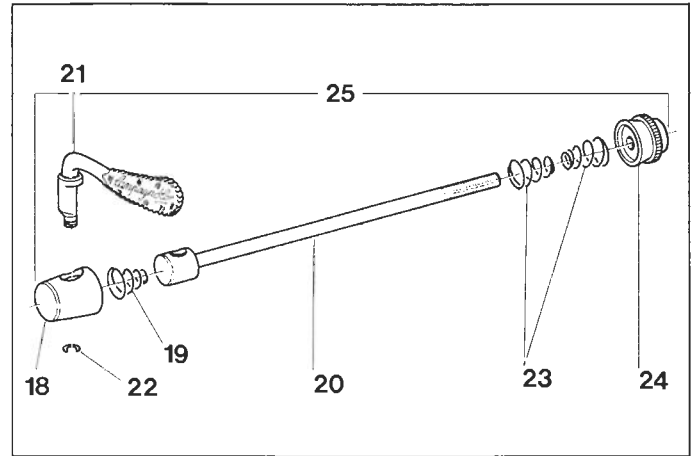
- 9 7281027 7 speed hollow axle
- 9 7281211 6 speed hollow axle
- 10 7131052 Cup
- 11 1321005 Balls set  $\varnothing$  1/4" (9 + 9)
- 12 7133053 Cone
- 13 see spec. Toothed washer
- 14 see spec. Spacer
- 15 7161173 Locknut by 8 mm.
- 15 7161172 Locknut by 6,5 mm.
- 16 7146013 Dust cover
- 17 1281044 6 speed complete axle, shim adjustment to clearance 36
- 17 1281058 7 speed complete axle, shim adjustment to clearance 36
- 17 1281059 7 speed complete axle, shim adjustment to clearance 37





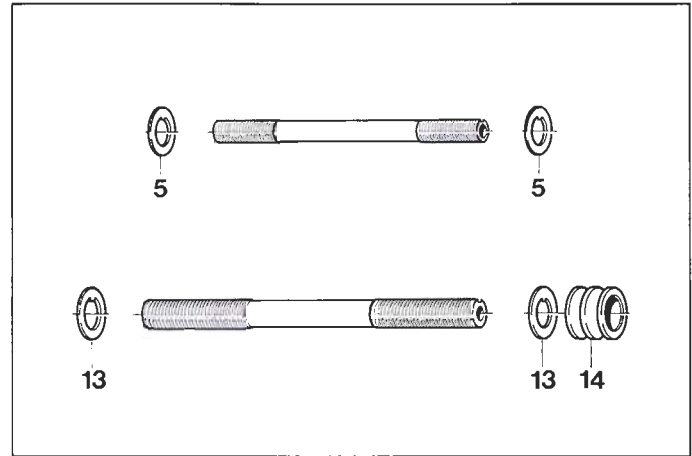
**Quick releases**

- 18 7142009 Cap
- 19 7260014 Tension spring
- 20 7319021 Front hub 6 speed locking skewer
- 20 7319023 Rear hub 6 speed locking skewer
- 20 7319027 Rear hub 7 speed locking skewer
- 21 7264027 Lever
- 22 7100040 Quick release circlip
- 23 7260002 Conical spring
- 24 2161006 Adjusting nut
- 25 1319026 Front complete quick release
- 25 1319028 Rear 6 speed complete quick release
- 25 1319029 Rear 7 speed complete quick release

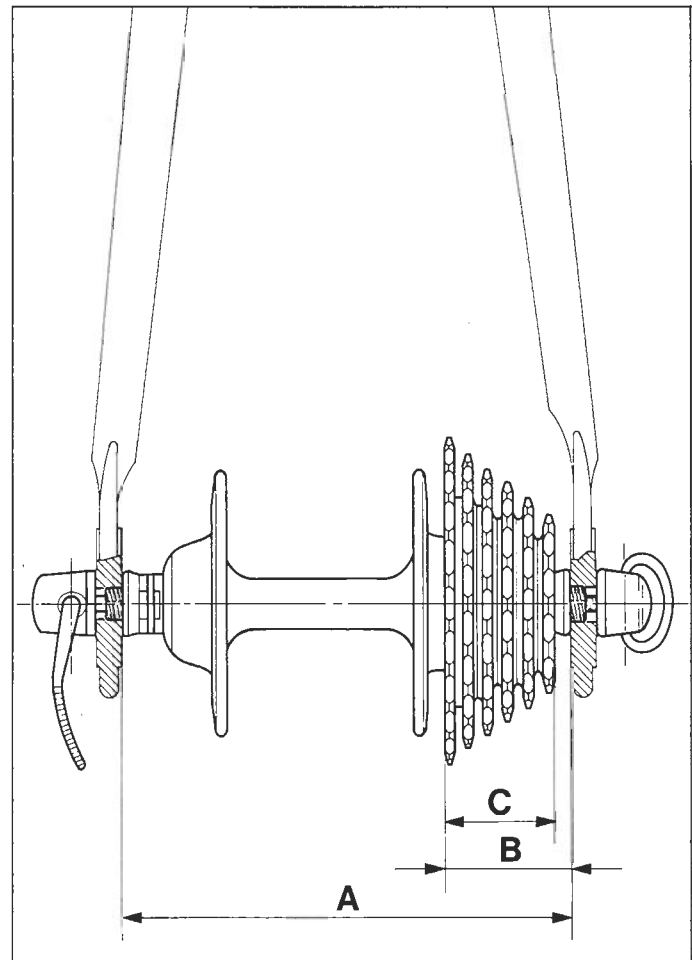


**Washers and spacers specifications**

- 5 7300026 Front hub toothed washer by 1 mm.
- 5 7300027 Front hub toothed washer by 1,5 mm.
- 5 7300028 Front hub toothed washer by 2 mm.
- 13 7300040 Rear hub toothed washer by 1 mm.
- 13 7300041 Rear hub toothed washer by 1,5 mm.
- 13 7300042 Rear hub toothed washer by 2 mm.
- 14 7160074 Rear hub spacer by 2,5 mm.
- 14 7160003 Rear hub spacer by 3,5 mm.
- 14 7160014 Rear hub spacer by 12,5 mm.
- 14 7160075 Rear hub spacer by 13,5 mm.



A	B	C
Frame width	R.H. width	Freewheel width
126,5	36	6 sp. up to 32 mm.
	36	7 sp. up to 32 mm.
130	36	6 sp. up to 32 mm.
	36	7 sp. up to 32 mm.
130	37	6 sp. up to 33 mm.
	37	7 sp. up to 33 mm.



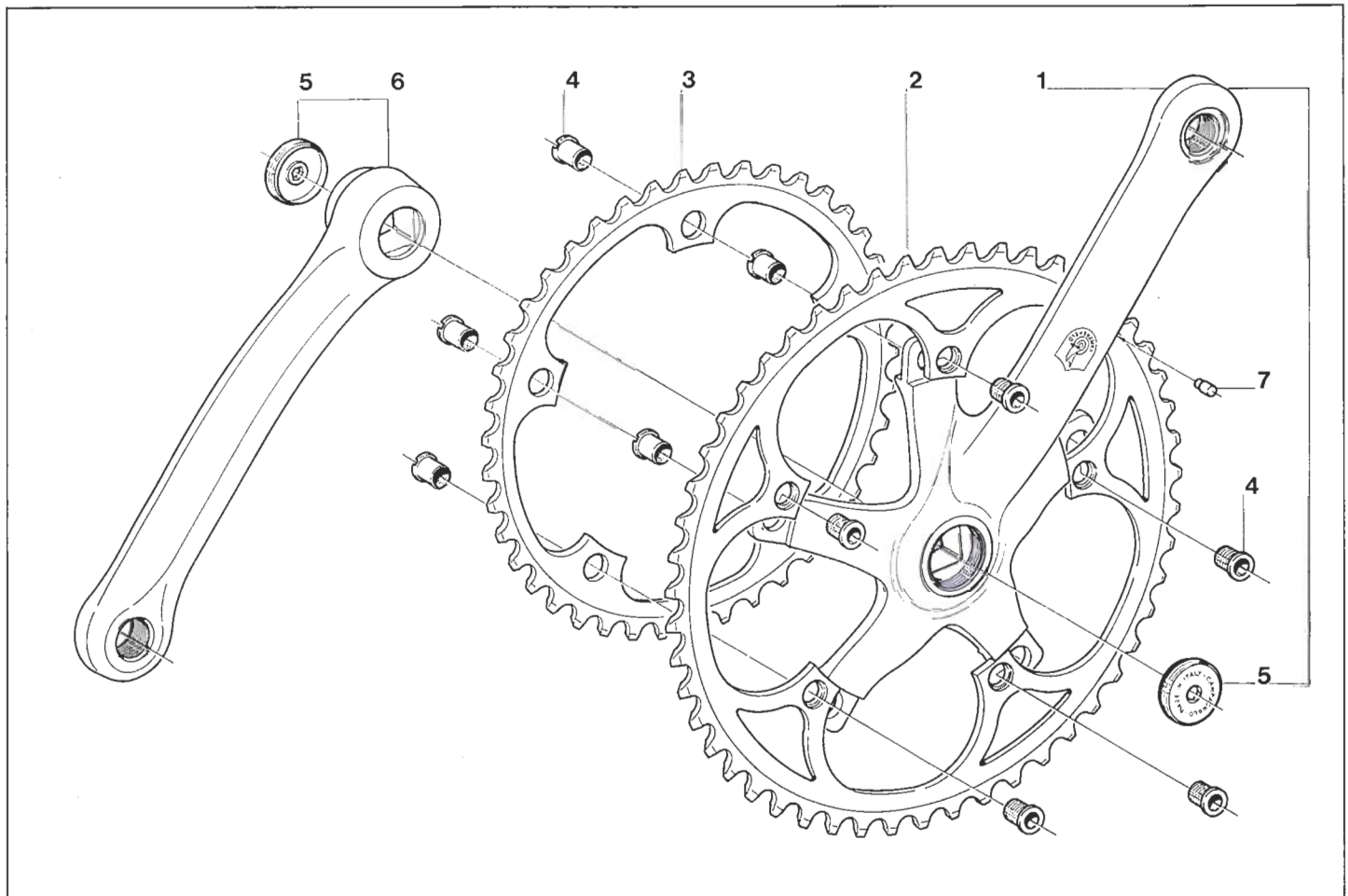


### C040 CHORUS CHAINWHEEL

- 1 C071 R.H. crank, pitch circle diameter 135
- 2 CZ00 Outer ring, pitch circle diameter 135, with grub
- 3 AZ00I Inner ring, pitch circle diameter 135
- 4 0100009 Rings fixing screw and nut
- 5 7136041 Crank plate cover
- 6 C072 L.H. crank
- 7 7287005 Chain guard grub for ring from 48 to 54 t.

CODE	CRANKS LENGTH		
	170	172.5	175
C071	●	●	●
C072			

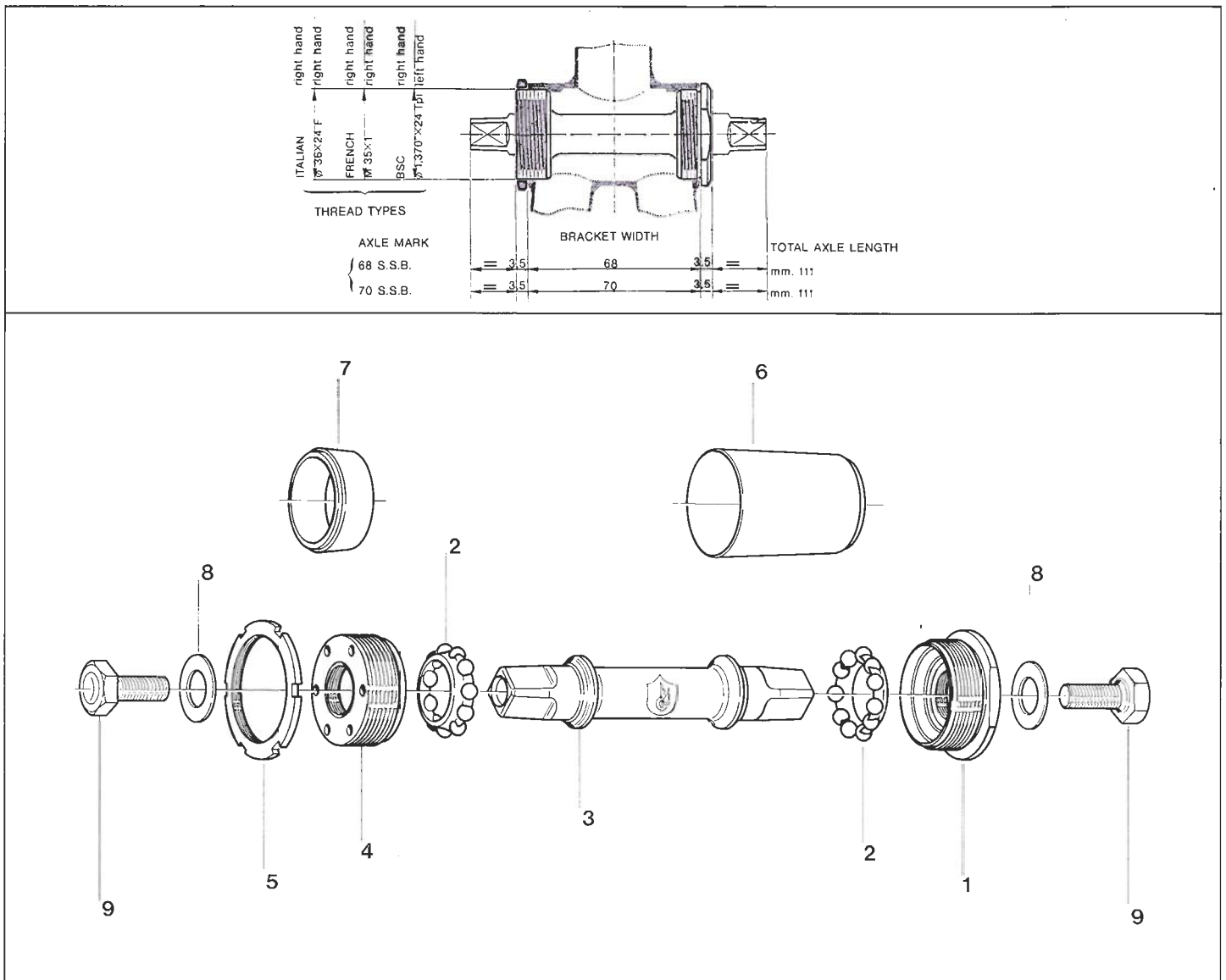
CODE	DESCR.	P.C.D.	RINGS TOOTHING																
			39	40	41	42	43	44	45	46	47	48	49	50	51	52	53	54	
AZ00I	INNER	135	●	●	●	●	●	●	●	●	●								
CZ00	OUTER	135										●	●	●	●	●	●	●	●





### COH0 CHORUS BOTTOM BRACKET

- 1 7131075 R.H. fixed cup, Italian thread
- 1 7131076 R.H. fixed cup, French thread
- 1 7131077 R.H. fixed cup, BSC thread
- 2 1134017 Balls set  $\varnothing$  1/4" with resin cage
- 3 7281166 68 SS axle
- 3 7281167 70 SS axle
- 4 7131078 L.H. adjustable cup, Italian thread
- 4 7131079 L.H. adjustable cup, French thread
- 4 7131080 L.H. adjustable cup, BSC thread
- 5 7203001 L.H. cup lockring - Italian thread
- 5 7203002 L.H. cup lockring - French thread
- 5 7203003 L.H. cup lockring - BSC thread
- 6 7201012 Sleeve
- 7 7100009 Sleeve conical ring
- 8 7300025 Crank fixing screw washer
- 9 7350025 Crank fixing screw

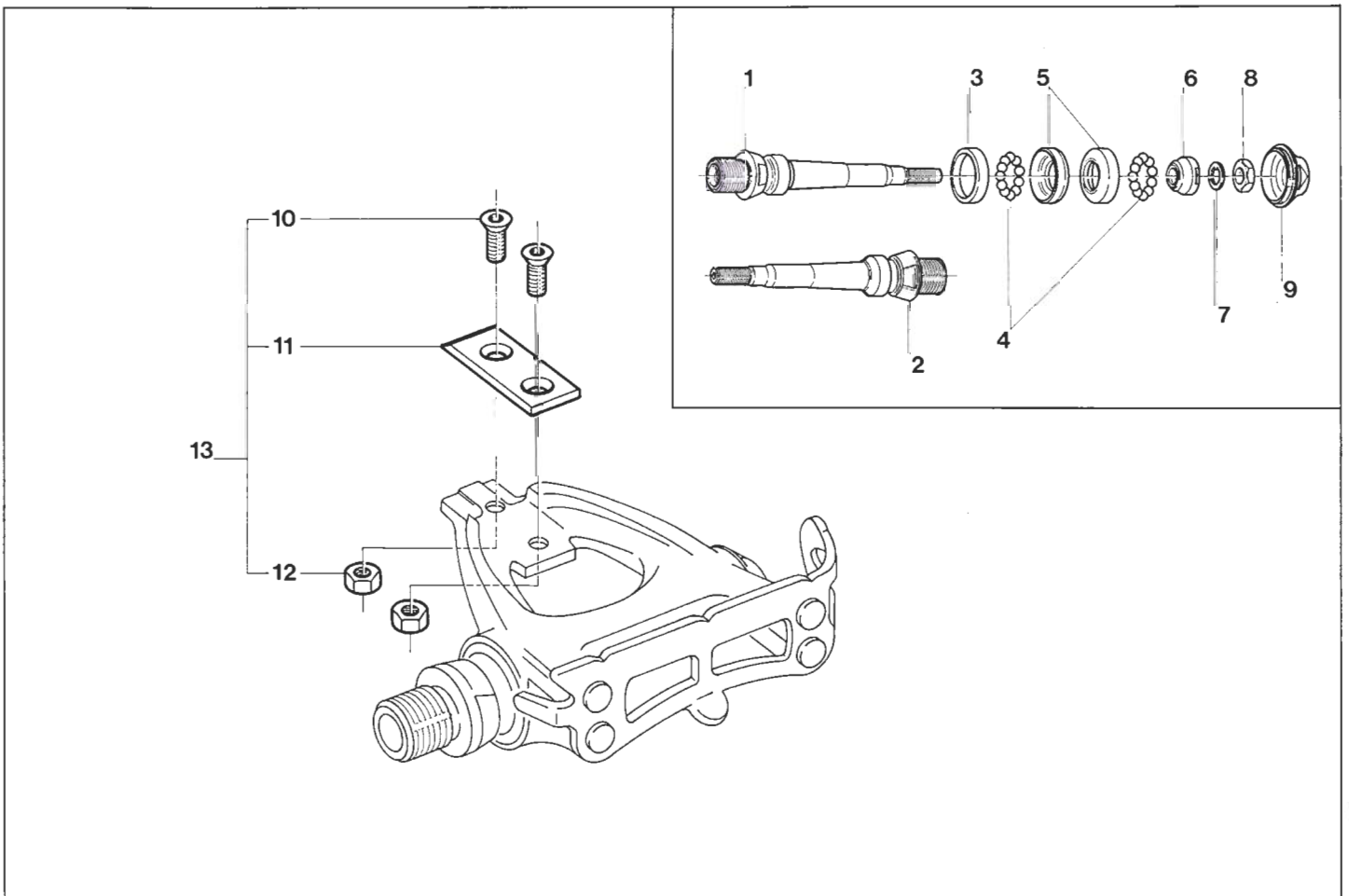




**C601-AM CHORUS R.H. PEDAL**  
**C602-AM CHORUS L.H. PEDAL**

- 1 7281232 R.H. axle
  - 2 7281233 L.H. axle
  - 3 7146001 Dust cover
  - 4 1321008 Balls set  $\varnothing$  5/32" (24 + 24)
  - 5 7131053 Cup
  - 6 7133002 Cone
  - 7 7300001 Toothed washer
  - 8 7161001 Locknut
  - 9 7136029 Cover
  - 10 7350149 Toe-clip fixing screw
  - 11 7283044 Toe-clip fixing plate
  - 12 7161096 Toe-clip fixing nut
  - 13 1134028 Toe-clip plate and fixing screws set
- 0F22-A Steel toe-clip: small (S) - medium (M) - large (L)  
 1153004 Single layer leather strap

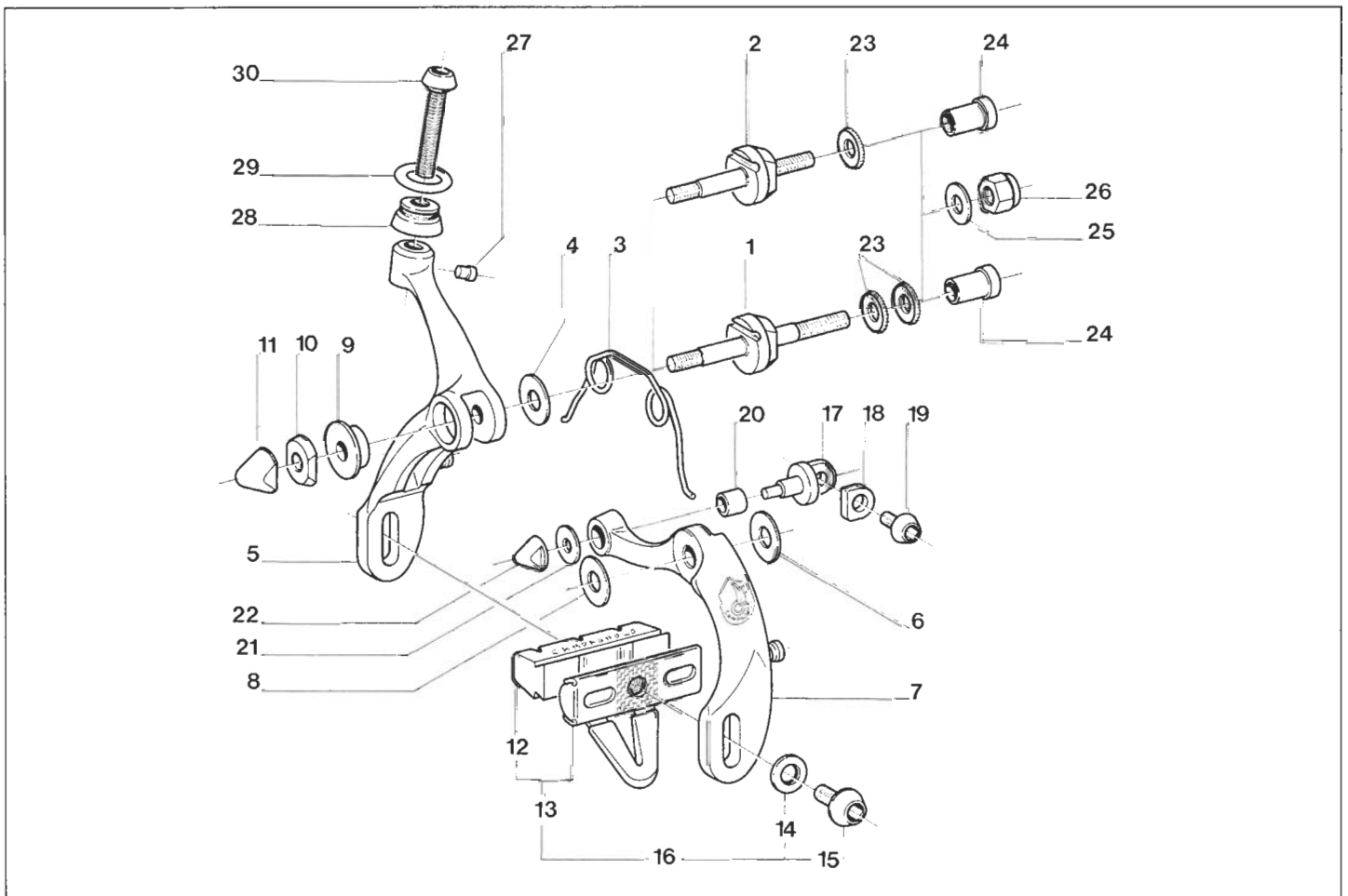
Remark: The pedals are supplied complete with toe-clip and strap





**C051 CHORUS FRONT BRAKE**  
**C052 CHORUS REAR BRAKE**

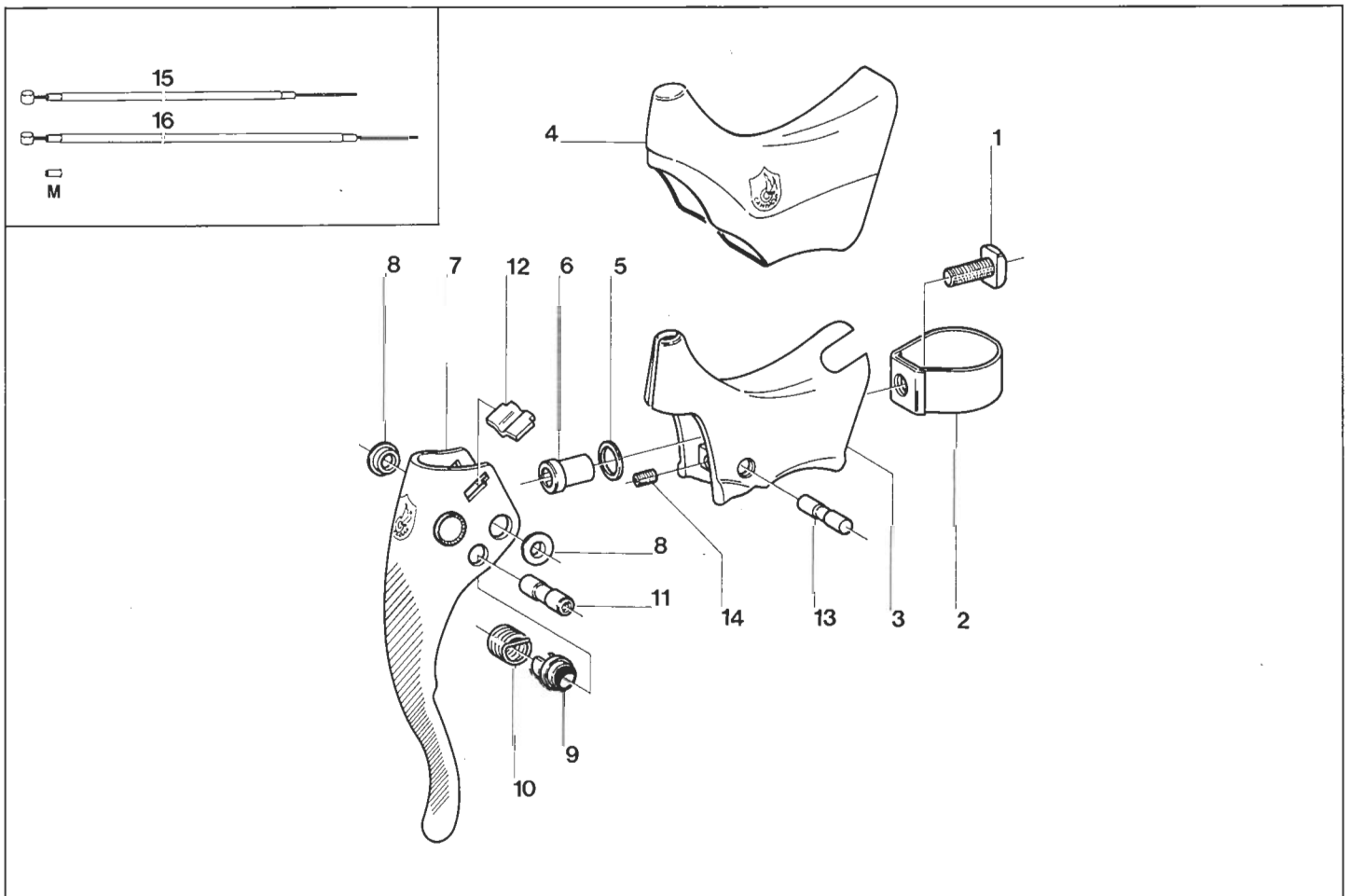
- 1 7281144 Allen front center bolt
- 2 7281146 Allen rear center bolt
- 3 7260102 Brake shoe lever return spring
- 4 7300004 Sliding washer
- 5 7241094 R.H. front brake shoe lever
- 5 7241075 R.H. rear brake shoe lever
- 6 7300195 Sliding washer
- 7 7241076 L.H. rear brake shoe lever
- 8 7300005 Inner sliding washer
- 9 7300184 Spacing washer
- 10 7161180 Lever fixing nut
- 11 7161182 Locknut
- 12 7289007 Brake block
- 13 2290020 R.H. brake shoe with block, without screw and washer
- 13 2290021 L.H. brake shoe with block, without screw and washer
- 14 7300003 Washer
- 15 7350234 Block fixing screw
- 16 1290020 R.H. complete brake shoe
- 16 1290021 L.H. complete brake shoe
- 17 7281241 Cable clamp axle
- 18 7300183 Cable clamp washer
- 19 7350237 Cable clamp screw
- 20 7116093 Bush
- 21 7300186 Axle fixing nut washer
- 22 7161183 Axle fixing nut
- 23 7300010 Toothed washer
- 24 7161105 Allen recessed nut
- 25 7300003 Washer
- 26 7161072 Self-locking nut
- 27 7208002 Lever rubber by 47 mm.
- 28 7161139 Casing end adjusting nut
- 29 7208011 Adjusting nut rubber
- 30 7350005 Casing end screw





### C053 CHORUS BRAKE LEVER

- 1 7350221 Fixing screw
- 2 7182031 Fixing-clip
- 3 7143761 Body
- 4 7201041 Hood
- 5 7300177 Washer
- 6 7161105 Allen recessed nut
- 7 1241027 Quick release lever with cable holder
- 7 1241036 Compact quick release levers
- 8 7116083 Lever bush
- 9 7116082 Quick release lever bush
- 10 7260092 Quick release lever spring
- 11 7281220 Quick release lever axle
- 12 7283057 Guidecable plate
- 13 7281221 Pivot pin
- 14 7200016 Stop dowel
- 15 0120059 Front brake cable and casing
- 16 0120060 Rear brake cable and casing
- M 7140004 Casing end



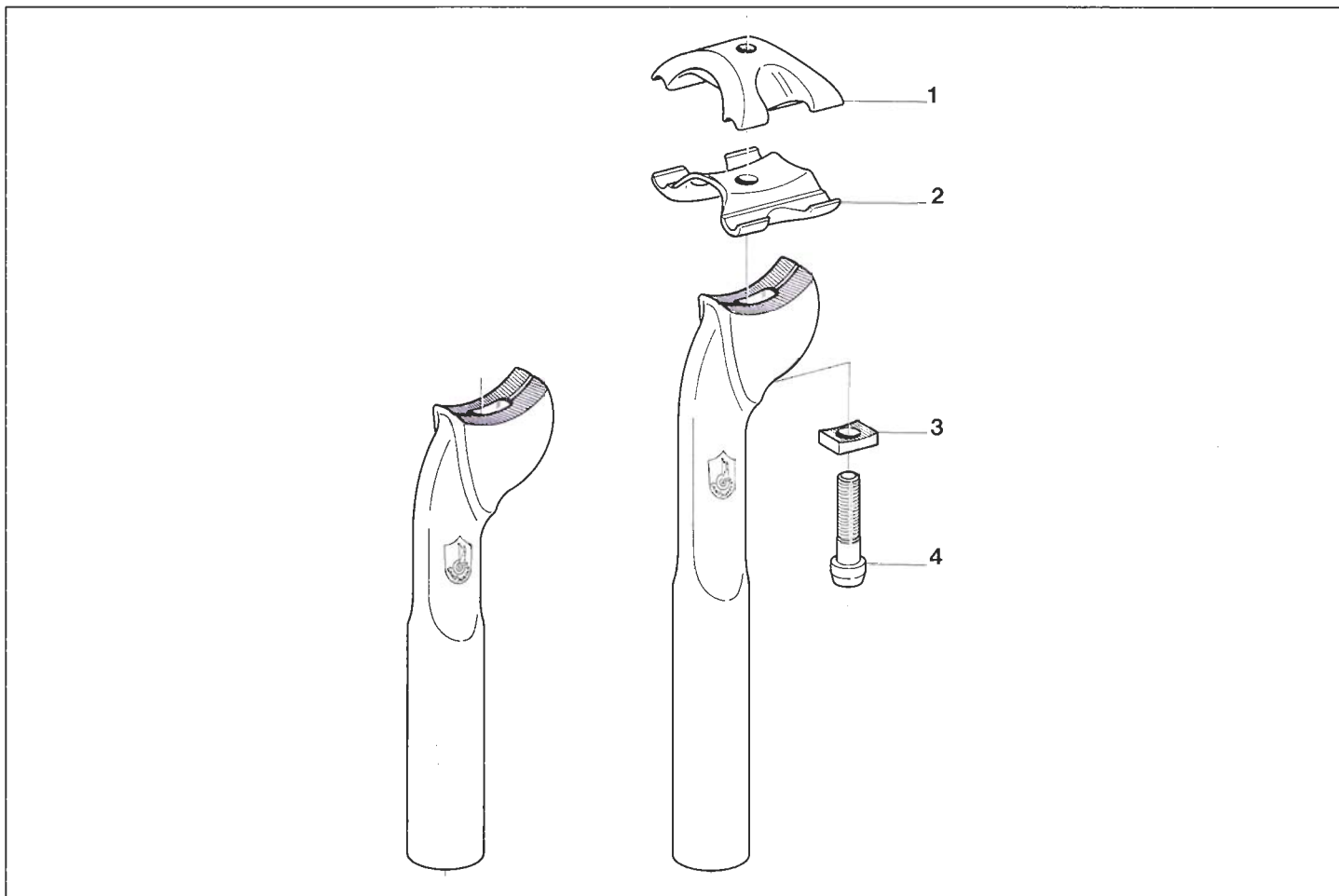
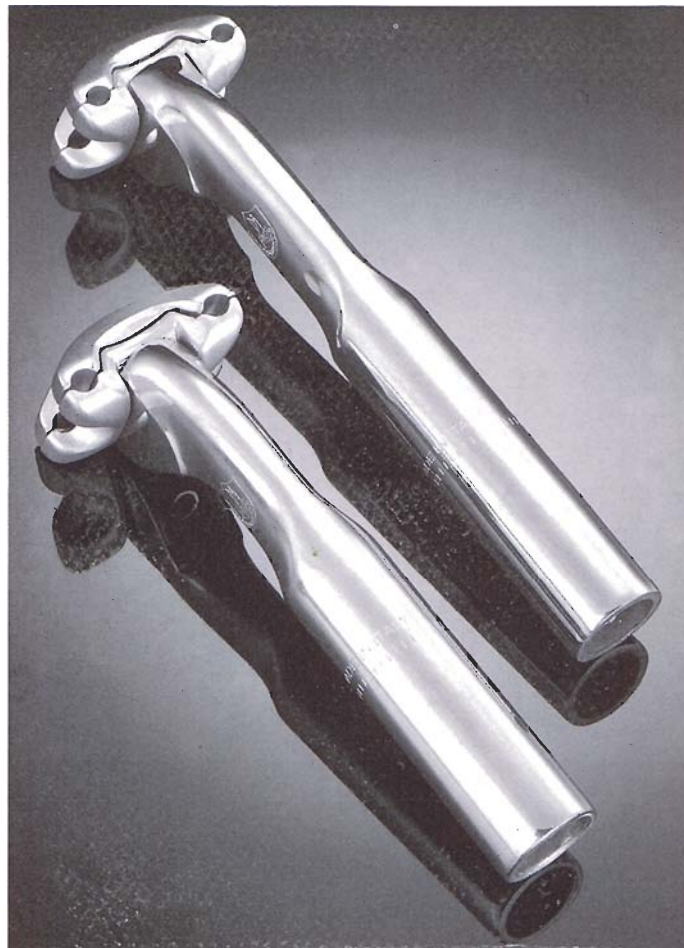




**C0R1 CHORUS SEAT PIN 180 mm.**

**C0R1-S CHORUS SEAT PIN 130 mm.**

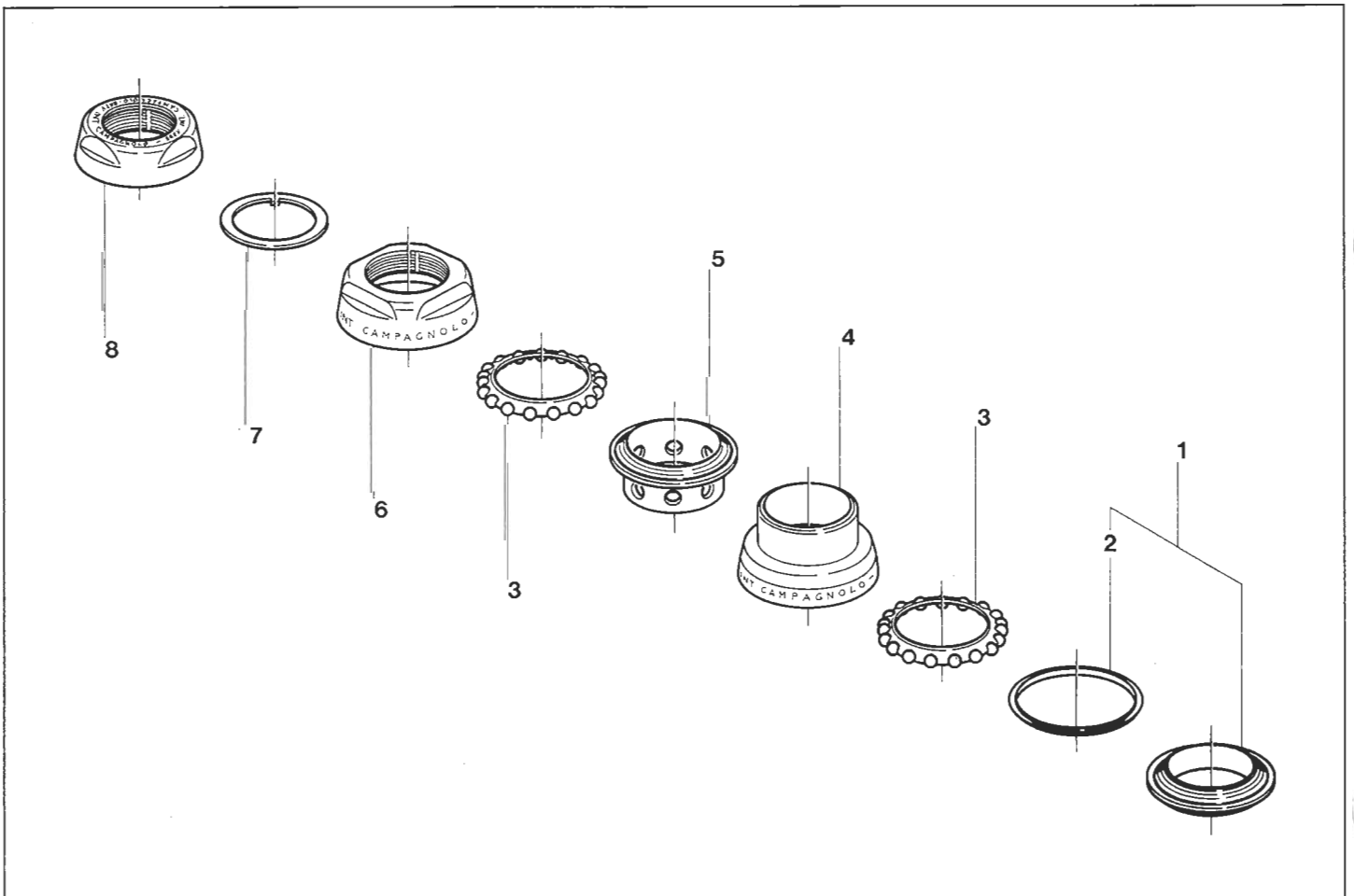
- 1 7320024 Bracket
- 2 7316013 Sliding support
- 3 7300197 Concave washer
- 4 7350152 Fixing screw





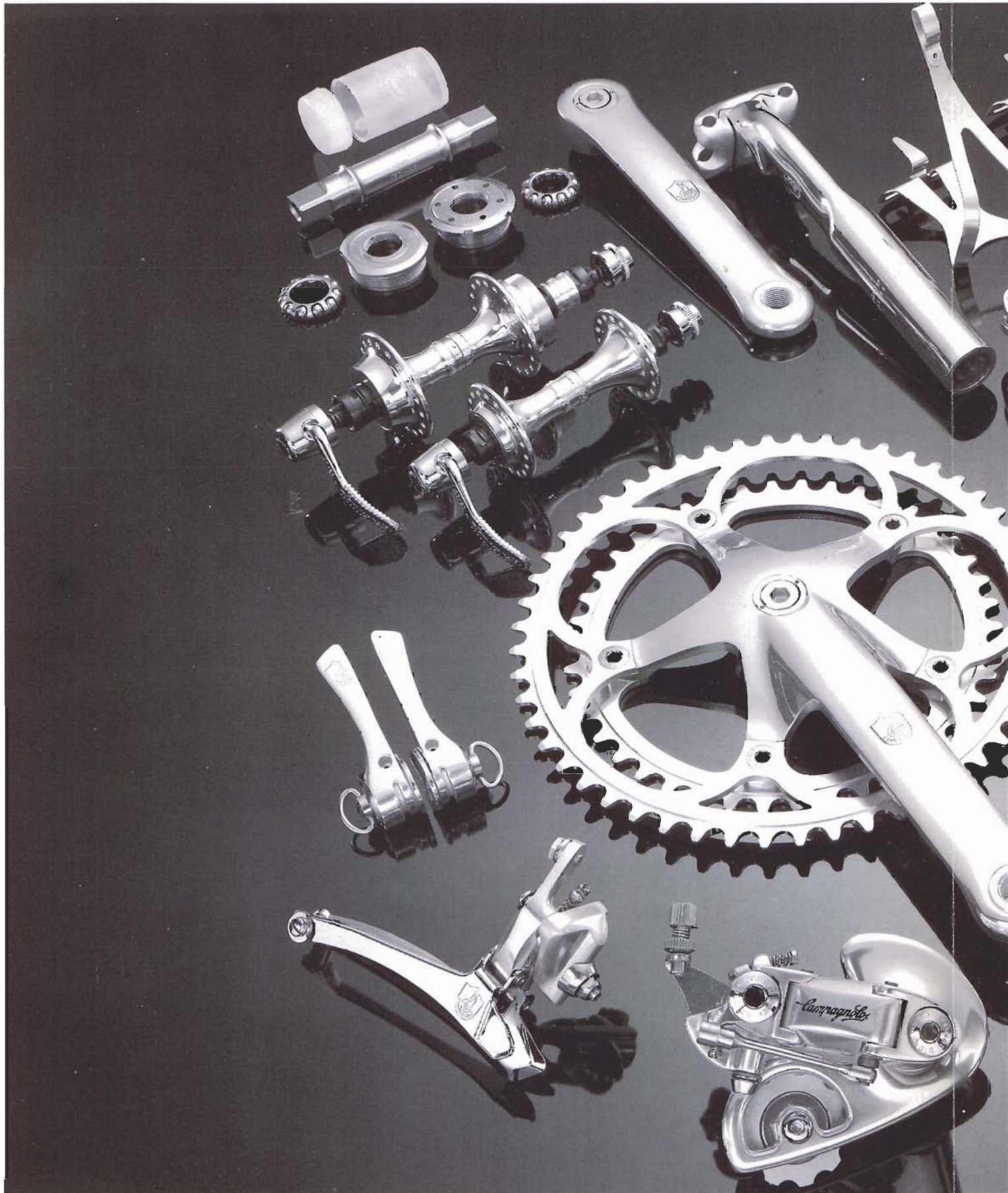
### COD0 CHORUS HEAD SET

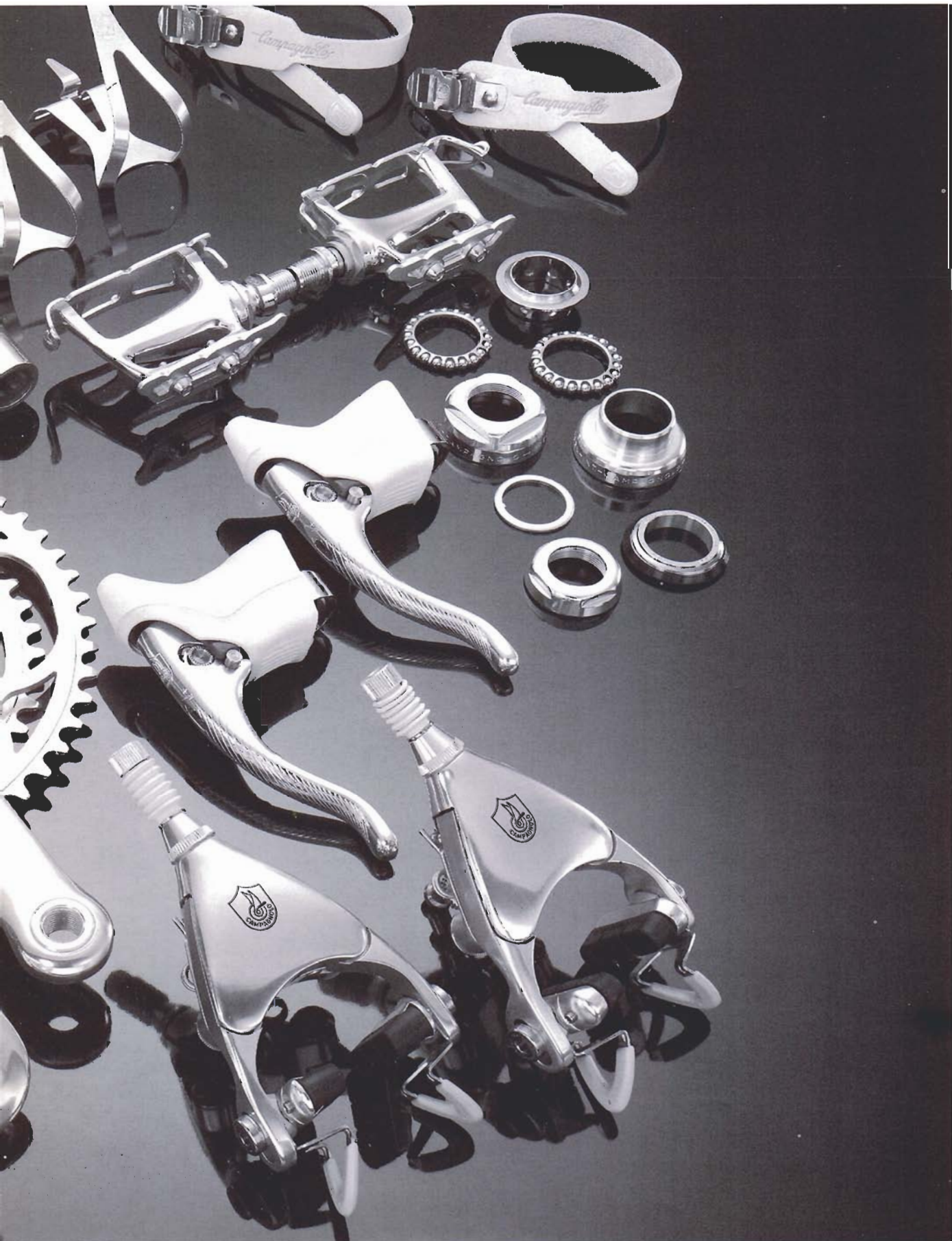
- 1 1133001 Lower cone with jointing
- 2 7211007 Jointing
- 3 1134018 Balls set  $\varnothing$  3/16" with resin cage
- 4 1131049 Lower cup
- 5 7133081 Upper cone
- 6 1131046 Upper cup, Italian thread
- 6 1131047 Upper cup, French thread
- 6 1131048 Upper cup, BSC thread
- 7 7300119 Toothed washer, Italian/BSC thread
- 7 7300120 Toothed washer, French thread
- 8 7161133 Locknut, Italian thread
- 8 7161134 Locknut, French thread
- 8 7161135 Locknut, BSC thread











Basic Group		
CODE	COMPONENTS	VARIANTS
B010	Croce d'Aune SM gear	
C021	Chorus braze-on front changer	C022 Chorus clip-on front changer (pipes $\varnothing$ 28,5 mm.)
A271	Record Doppler braze-on levers	
B300	Croce d'Aune small flange quick release hubs, 36 holes, rear width 126,5 / RH 36, Italian thread mm. 35 $\times$ 24 F	Drillings: 28 - 32 Rear width: 130 / RH 36 - 130 / RH 37 Thread: BSC 1,370" $\times$ 24 F - FR M 34,7 $\times$ 1
B040	Croce d'Aune chainwheel, pitch circle diameter 135, 170 mm. crank with incorporated extractor, 42/52 t.	Cranks length: 172,5 - 175 Inner rings tooting: 39 - 40 - 41 - 43 - 44 - 45 - 46 - 47 Outer rings tooting: 48 - 49 - 50 - 51 - 53 - 54
B0H0	Croce d'Aune bottom bracket Italian thread mm. 36 $\times$ 24 F Width 70 mm.	Thread: BSC 1,370" $\times$ 24 TPI - FR M 35 $\times$ 1 Width: 68 mm.
B620-LM	Croce d'Aune «Triple-Bearing System» pedals complete with medium (M) aluminium toe-clip and shaped single layer leather strap	Toe-clip length: small (S) - large (L) Steel toe-clip: small (S) - medium (M) - large (L) Steel «Multi-Size System» toe-clip: small (S) - medium (M) - large (L)
B500	Croce d'Aune «Penta-Drive System» brakes complete with two «Power-Grade System» brake levers, cables and casings	Record Compact «Power-Grade System» brake lever (code A055)
C0R2	Chorus styled seat pin 180 mm. $\varnothing$ 27,2 complete with fixing screw and nut $\varnothing$ 8	Length: 180 mm. (code C0R2) $\varnothing$ : 25 - 26,2 - 26,4 - 26,6 - 26,8 - 27 Length: 130 mm. (code C0R2-S) $\varnothing$ : 25 - 26,2 - 26,4 - 26,6 - 26,8 - 27 - 27,2
C0D0	Chorus aluminium head set, Italian thread mm. 25,4 $\times$ 24 F	Thread: BSC 1" $\times$ 24 TPI - FR M 25 $\times$ 1
1120005	Biodynamic bottle with cage	

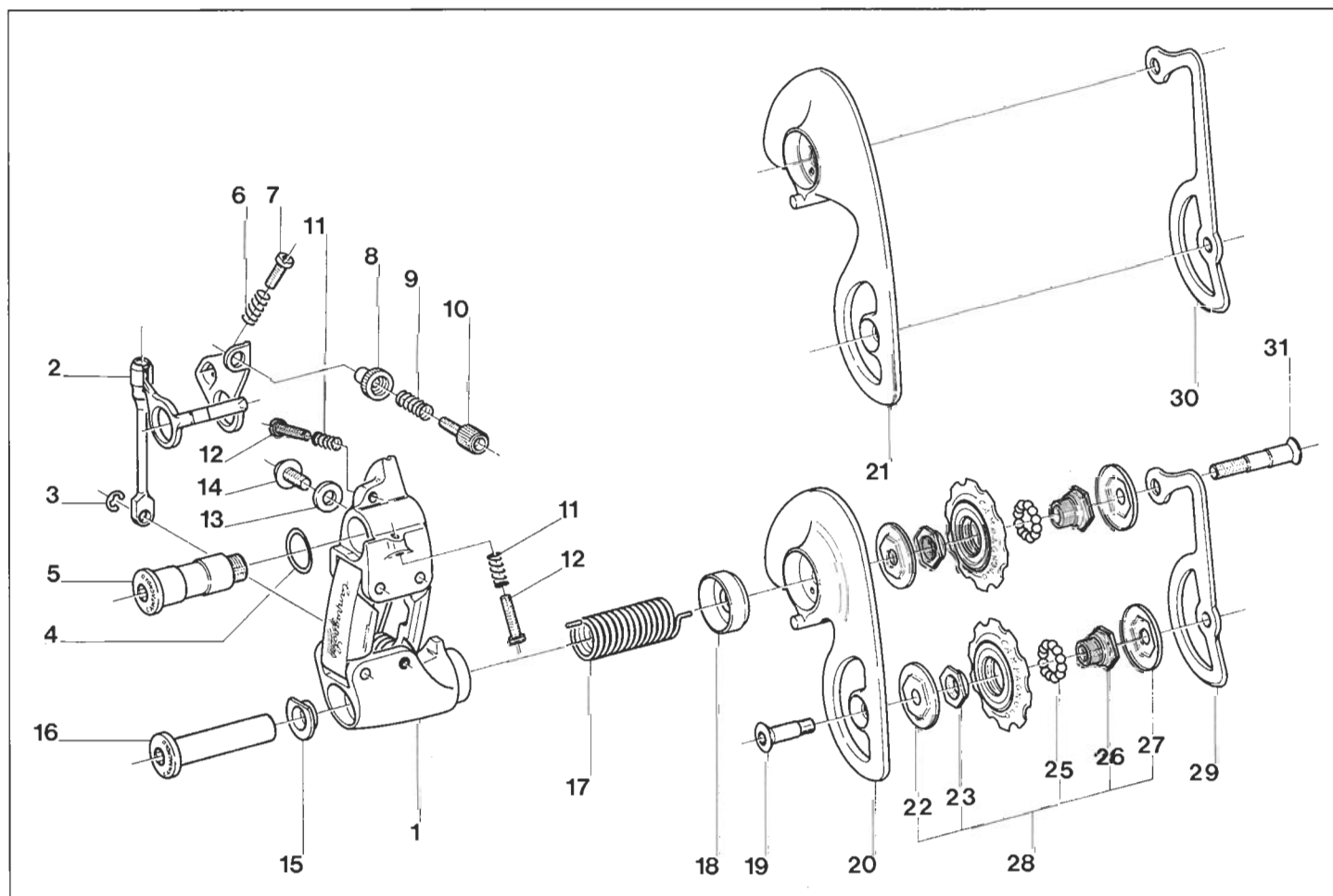


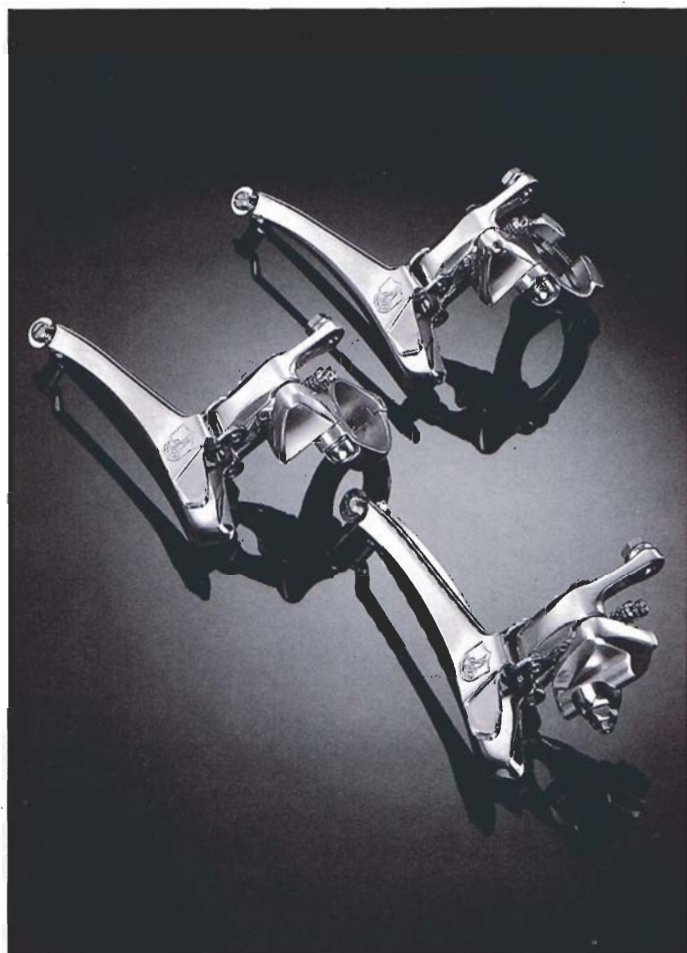




**B010 CROCE D'AUNE SM GEAR**  
**B010-LG CROCE D'AUNE LG GEAR**

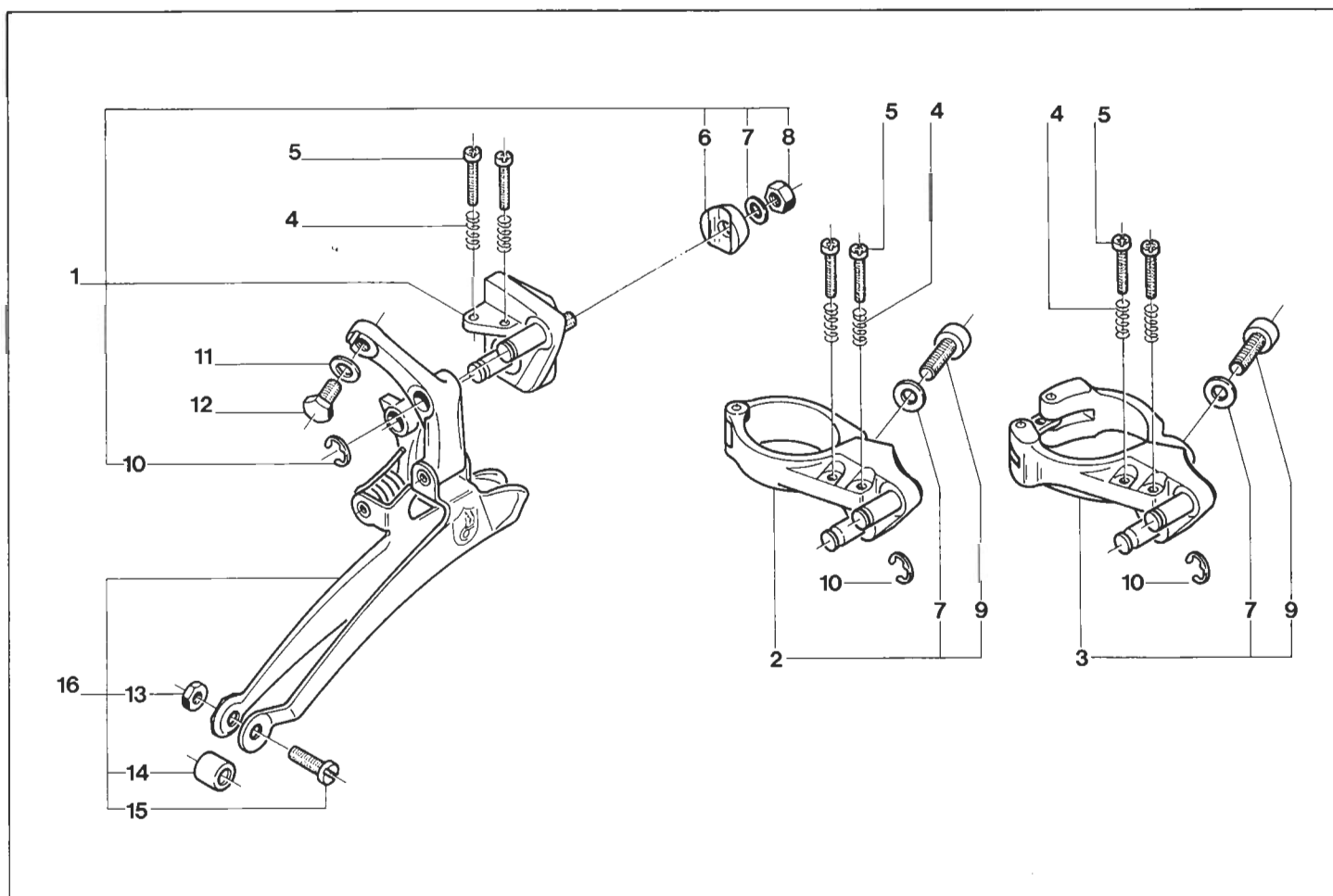
- 1 1284019 SM gear complete parallelogram
- 1 1284020 LG gear complete parallelogram
- 2 1101002 «Twin-Axle System» SM gear mechanism
- 2 1101003 «Twin-Axle System» LG gear mechanism
- 3 7100049 Gear road stopping ring
- 4 7304008 Convex elastic washer
- 5 7350230 Fixing pivot
- 6 7260093 Adjusting screw spring
- 7 7350236 Adjusting screw
- 8 7161175 Casing adjusting nut
- 9 7260094 Adjusting screw spring
- 10 7350227 Casing adjusting screw
- 11 7260105 Adjusting spring
- 12 7350228 Adjusting screw
- 13 7300114 Fixing cable screw washer
- 14 7350237 Fixing cable screw
- 15 7116059 Pivot bolt body bush
- 16 7350250 Pivot bolt screw
- 17 7260100 Cage plate rotating spring
- 18 7116088 Lower body ferrule
- 19 7350253 Lower roller fixing screw
- 20 7119036 SM gear outer cage plate
- 21 7119035 LG gear outer cage plate
- 22 7146018 Roller dust cover with indentation
- 23 7133042 Roller female cone
- 25 1321010 Balls set  $\varnothing$  1/8" (6 + 6)
- 26 7133041 Roller male cone
- 27 7146016 Roller dust cover
- 28 1302006 Complete roller
- 29 7119037 SM gear inner cage plate
- 30 7119034 LG gear inner cage plate
- 31 7350252 Upper roller fixing screw





**C021 CHORUS BRAZE-ON FRONT CHANGER**  
**C022 CHORUS CLIP-ON FRONT CHANGER**  
**C023 CHORUS ADJUSTABLE CLIP-ON FRONT CHANGER**

- 1 1143072 Complete body (without b/o boss)
- 2 1143073 Clip-on complete body
- 3 1143074 Adjustable clip-on complete body
- 4 7260105 Adjusting screw spring
- 5 7350228 Fork end adjusting screw
- 6 7300161 Braze-on front changer concave washer
- 7 7300117 Clip fixing screw washer
- 8 7161187 Fixing screw nut
- 9 7350145 Clip-on front changer fixing screw
- 10 7100008 Circlip
- 11 7300114 Fixing cable screw washer
- 12 7350002 Fixing cable screw
- 13 7161096 Fork connecting nut in stainless steel
- 14 7116011 Fork bush
- 15 7350106 Fork connecting chrome-plated screw
- 16 1180010 Complete fork





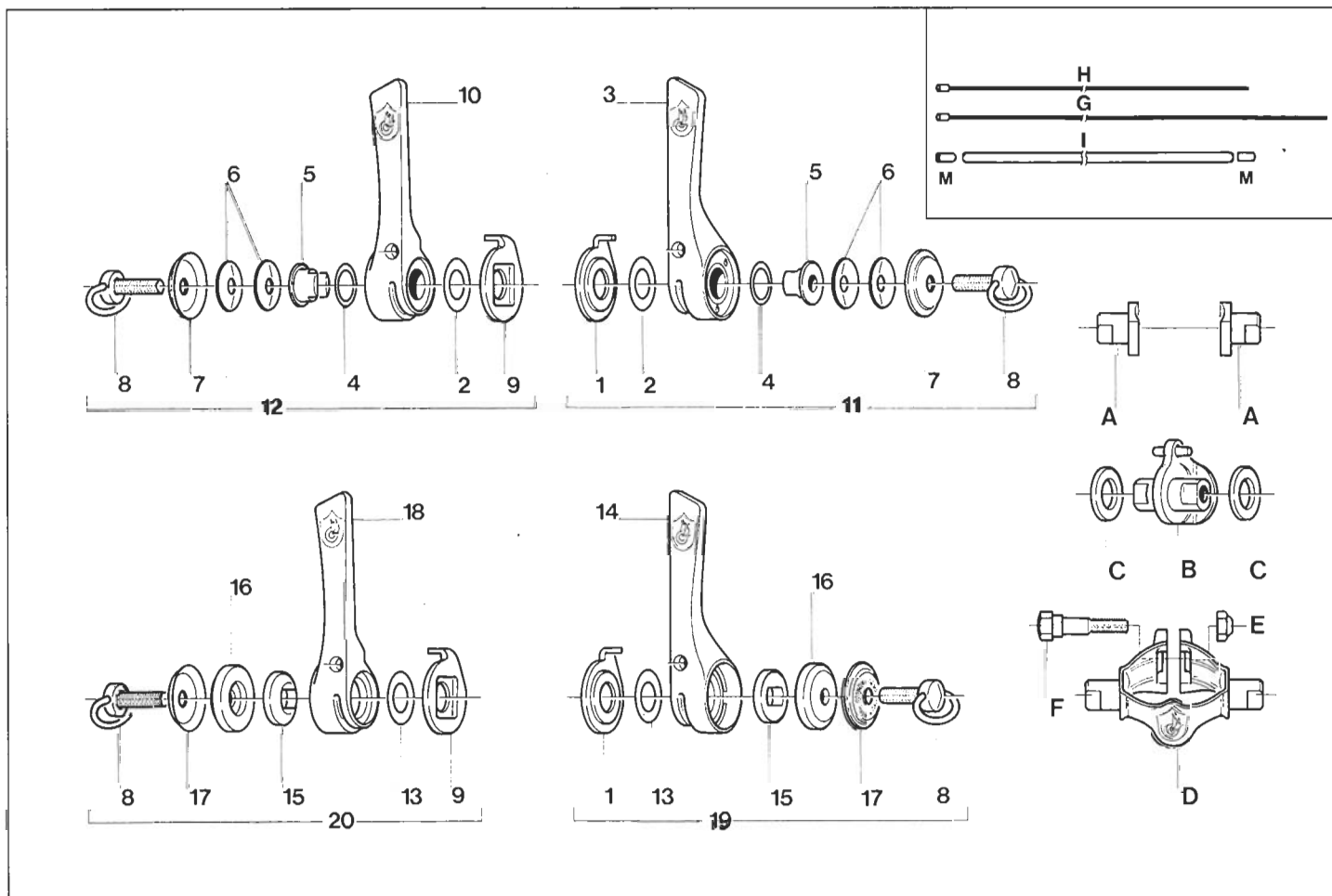
**A271 RECORD DOPPLER BRAZE-ON LEVERS**  
**A272 RECORD DOPPLER CLIP-ON LEVERS**  
**A273 RECORD DOPPLER ON TOP OF TUBE LEVERS**

- 1 7320031 R.H. bracket
- 2 7306004 Inner friction washer
- 3 1264014 R.H. lever
- 4 7306005 Outer friction washer
- 5 7325002 Square boss milled shim
- 6 7260086 Cup spring
- 7 7136040 Cover
- 8 1202005 Adjusting wing nut
- 9 7320032 L.H. bracket
- 10 1264015 L.H. lever
- 11 0118071 Gear Record Doppler complete lever
- 12 0118072 Front changer Record Doppler complete lever

**A281 RECORD FRICTION BRAZE-ON LEVERS**  
**A282 RECORD FRICTION CLIP-ON LEVERS**  
**A283 RECORD FRICTION ON TOP OF TUBE LEVERS**

- 1 7320031 R.H. bracket
- 8 1202005 Adjusting wing nut
- 9 7320032 L.H. bracket
- 13 7300178 Bracket washer
- 14 7264041 R.H. lever
- 15 7306003 Friction washer
- 16 7160076 Spacer
- 17 7136040 Cover
- 18 7264042 L.H. lever
- 19 0118091 Gear Record Friction complete lever
- 20 0118092 Front changer Record Friction complete lever

- A 7102002 Braze-on lever square boss
- B 7316014 On top of tube braze-on boss
- C 7300149 On top of tube double lever washer
- D 1182023 Double lever clip
- E 7161095 Fixing clip nut
- F 7350009 Fixing clip screw
- G 7145028 Gear cable
- H 7145029 Front changer cable
- I 0120062 Casing and casing end (not assembled)
- M 7140003 Casing end





**A221 RECORD SYNCRO BRAZE-ON LEVERS**  
**A222 RECORD SYNCRO CLIP-ON LEVERS**  
**A223 RECORD SYNCRO ON TOP OF TUBE LEVERS**

- |    |           |   |
|----|-----------|---|
| 1  | 7320038   | R.H. bracket  |
| 2  | 7300178   | Bracket washer                                      |
| 3  | 7264043   | R.H. lever  |
| 4  | 7300196   | Spacing washer                                      |
| 5  | 7260108   | R.H. lever spring                                   |
| 6  | see table | Micrometric insert                                  |
| 7  | 7116085   | Release bush  |
| 8  | 1136013   | R.H. lever adjusting wing nut                       |
| 9  | 7320026   | L.H. bracket  |
| 10 | 7300104   | Washer  |
| 11 | 7264044   | L.H. lever  |
| 12 | 7306003   | Friction washer                                     |
| 13 | 7300115   | Washer  |
| 14 | 7136021   | Cover   |
| 15 | 7260067   | Disc spring   |
| 16 | 1202001   | Adjusting wing nut                                  |
| 17 | 0118130   | Gear Record Syncro complete lever, without insert 6 |
| 18 | 0118113   | Front changer Record Syncro complete lever          |
| A  | 7102002   | Braze-on lever square boss                          |
| B  | 7316014   | On top of tube braze-on boss                        |
| C  | 7306010   | Washer  |
| D  | 1182023   | Double lever clip                                   |
| E  | 7161095   | Fixing clip nut                                     |
| F  | 7350009   | Fixing clip screw                                   |
| G  | 7145028   | Gear cable  |
| H  | 7145029   | Front changer cable                                 |
| I  | 0120062   | Casing and casing end (not assembled)               |
| M  | 7140003   | Casing end  |

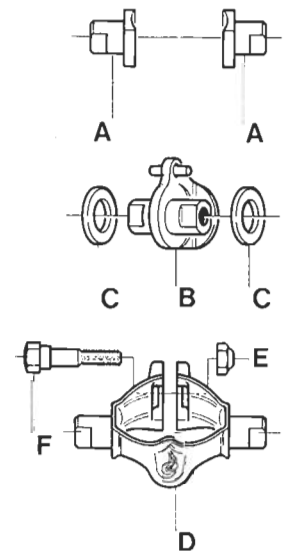
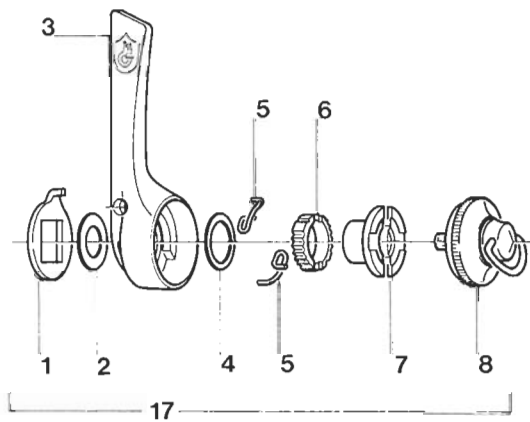
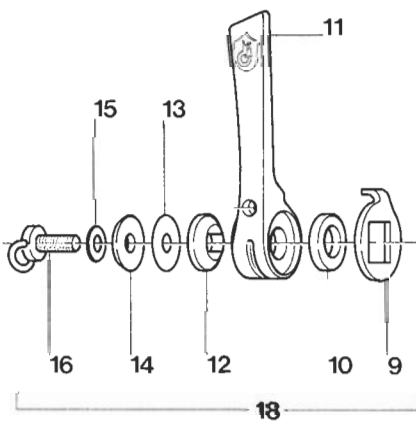
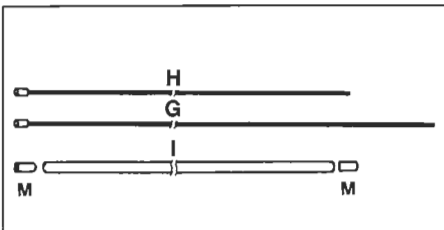




TABLE FOR THE BEST CONNECTION OF «RECORD SYNCRO» LEVERS WITH FREEWHEELS, CHAINS AND GEARS

GEARS	RECORD	SUPER RECORD	VICTORY TRIOMPHE	CHORUS	CHORUS	CROCE D'AUNE SM	CROCE D'AUNE LG	ATHENA
6 SPEED FREE WHEELS	6 V	6 V	6 V	A 6	B 6	6 V	6 V	6 V
CAMPAGNOLO	● * ■	● * ■	● * ■	● * ■	● * ■	● * ■	● * ■	● * ▲ ■ ○
MAILLARD 700 COURSE	● * ▲ ■	● * ▲ ■	● * ▲ ■	● * ▲ ■	● * ▲ ■	● * ▲ ■	● * ▲ ■	● * ▲ ■ ○
REGINA AMERICA	● * ▲	● * ▲ ■	● * ▲ ■	● * ■	● * ■	● * ▲ ■	● * ▲ ■	● * ▲ ■ ○
REGINA ORO	● * ▲	● * ▲ ■	● * ▲ ■	● * ▲ ■	● * ▲ ■	● * ▲ ■	● * ▲ ■	
SUNTOUR WINNER	● * ▲ ■	● * ▲ ■	● * ▲ ■	● * ▲ ■	● * ▲ ■	● * ▲ ■	● ▲ ■	* ▲
SHIMANO 105	● * ▲	● * ▲	● * ▲	● * ▲ ■	● * ▲ ■	● * ▲	● * ▲	● * ▲ ■
SHIMANO DURA ACE	● * ▲	● * ▲	● * ▲	● * ▲ ■	● * ▲ ■	● * ▲	● * ▲	● * ▲ ■
CAIMI	● * ▲ ■	● * ▲ ■	● * ■	● * ▲ ■	● * ▲ ■	● * ▲ ■	● * ▲ ■	● * ▲ ■ ○
GEARS								
7 SPEED FREE WHEELS	RECORD	SUPER RECORD	VICTORY TRIOMPHE	CHORUS	CHORUS	CROCE D'AUNE SM	CROCE D'AUNE LG	ATHENA
	7 V	7 V	7 V	A 7	B 7	7 V	7 V	7 V
CAMPAGNOLO SERVIZIO CORSA COMPACT	● ■	● ■	● ■	● * ■	● * ■	● * ■	● * ■	● * ■
MAILLARD 700 COMPACT	● ■	● ■	● ▲ ■	● * ▲ ■	● * ▲ ■	● * ▲ ■	● * ▲ ■	● * ■
REGINA CX S COMPACT	● ■	● ■	● ■	● * ▲ ■	● * ▲ ■	● * ▲ ■	● * ▲ ■	● * ▲ ■
SUNTOUR W.P. UC 7000	● ▲	● ■	● ■	● * ■	● * ■	● * ▲	* ▲	
SHIMANO DURA ACE	● *	● *	● *	● *	● *	● * ▲	● * ▲	● * ▲ ■
CAIMI COMPACT	● ▲ ■	● ▲	● ▲ ■	● * ■	● * ■	* ▲ ■	▲ ■	● * ▲ ■ ○

Symbols meaning:

● Regina CX S chain - ■ Sedis Sport chain - ▲ Suntour UC 6000 chain - \* Shimano Uniglide 600 chain - ○ Union de luxe

Remark: For Super Record, Victory, Triomphe (extensible to Nuovo Record and LZ) code 7222064.

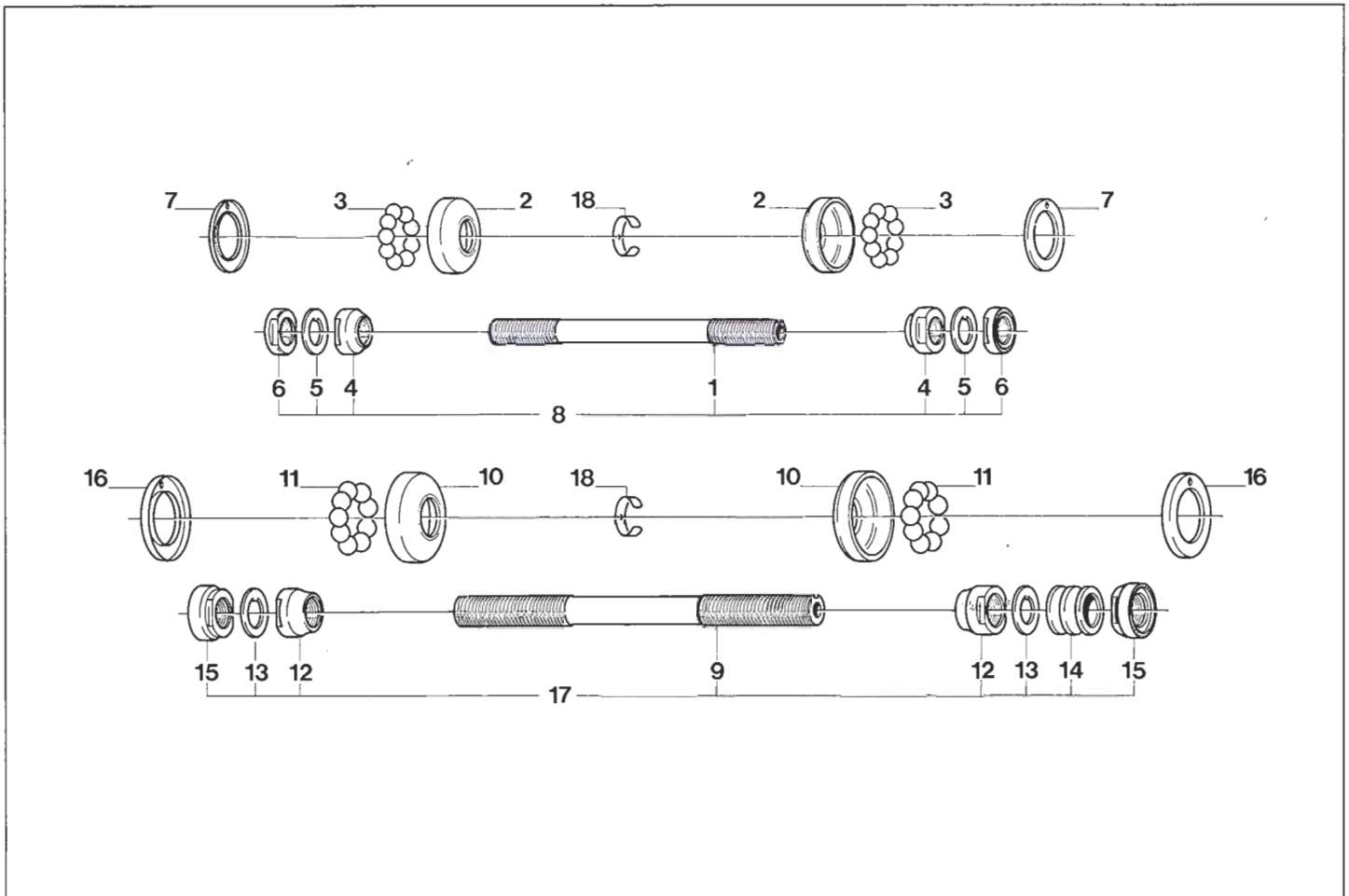


### B031 CROCE D'AUNE SMALL FLANGE FRONT HUB

- 1 7281023 Hollow axle
- 2 7131051 Cup
- 3 1321004 Balls set  $\varnothing$  3/16" (10 + 10)
- 4 7133074 Cone
- 5 see spec. Toothed washer
- 6 7161170 Locknut
- 7 7146012 Dust cover
- 8 1281043 Complete axle
- 18 7182028 Oiler hole central clip

### B032 CROCE D'AUNE SMALL FLANGE REAR HUB

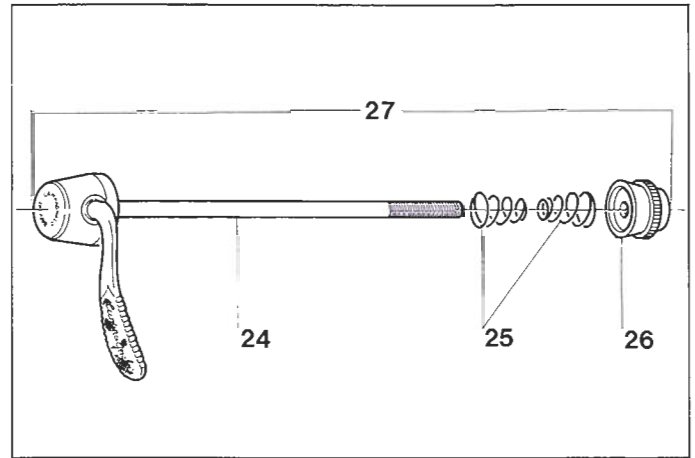
- 9 7281027 7 speed hollow axle
- 9 7281211 6 speed hollow axle
- 10 7131052 Cup
- 11 1321005 Balls set  $\varnothing$  1/4" (9 + 9)
- 12 7133053 Cone
- 13 see spec. Toothed washer
- 14 see spec. Spacer
- 15 7161173 Locknut by 8 mm.
- 15 7161172 Locknut by 6,5 mm.
- 16 7146013 Dust cover
- 17 1281044 6 speed complete axle
- 17 1281058 7 speed complete axle, shim adjustment to clearance 36
- 17 1281059 7 speed complete axle, shim adjustment to clearance 37
- 18 7182028 Oiler hole central clip





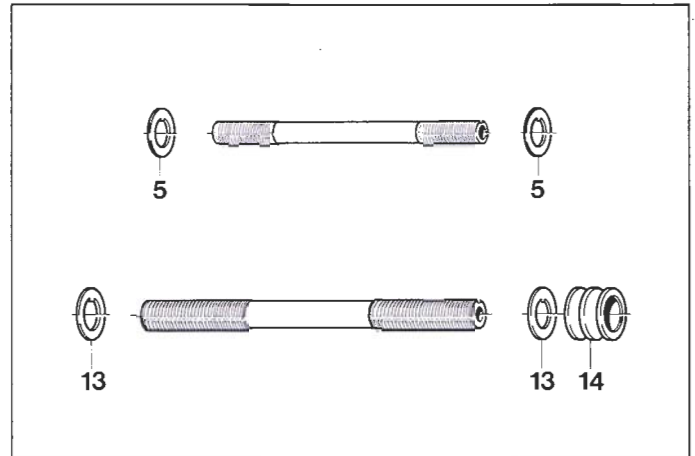
### Quick releases

- 24 2319045 Front hub locking skewer
- 24 2319047 Rear hub 6 speed locking skewer
- 24 2319048 Rear hub 7 speed locking skewer
- 25 7260002 Conical spring
- 26 2161006 Adjusting nut
- 27 1319040 Front complete quick release
- 27 1319042 Rear 6 speed complete quick release
- 27 1319043 Rear 7 speed complete quick release

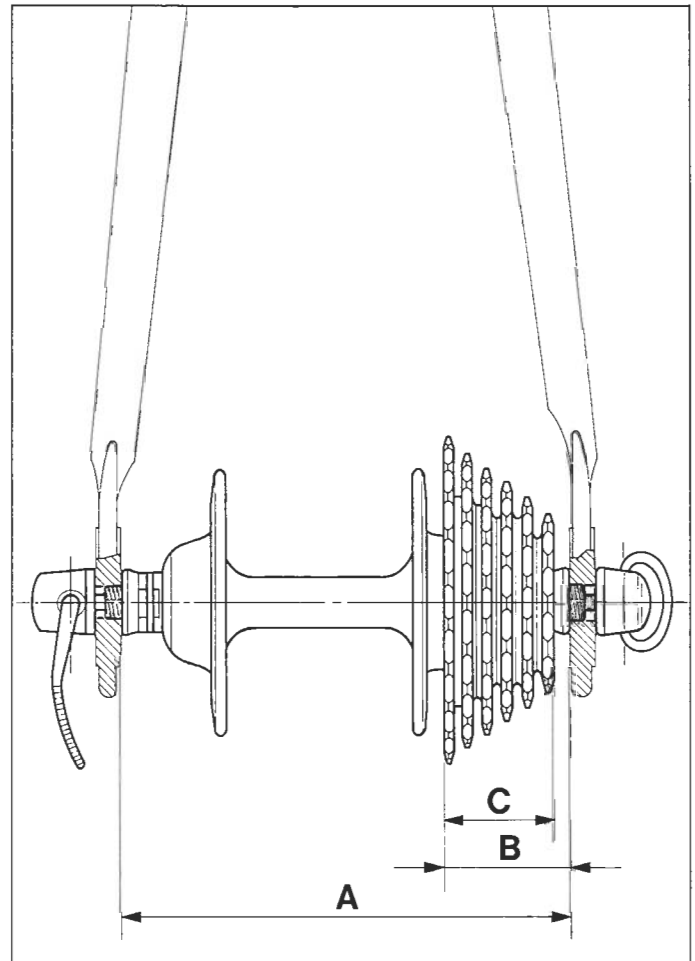


### Washers and spacers specifications

- 5 7300026 Front hub toothed washer by 1 mm.
- 5 7300027 Front hub toothed washer by 1,5 mm.
- 5 7300028 Front hub toothed washer by 2 mm.
- 13 7300040 Rear hub toothed washer by 1 mm.
- 13 7300041 Rear hub toothed washer by 1,5 mm.
- 13 7300042 Rear hub toothed washer by 2 mm.
- 14 7160074 Rear hub spacer by 2,5 mm.
- 14 7160003 Rear hub spacer by 3,5 mm.
- 14 7160014 Rear hub spacer by 12,5 mm.
- 14 7160075 Rear hub spacer by 13,5 mm.



A	B	C
Frame width	R.H. width	Freewheel width
126,5	36	6 sp. up to 32 mm.
	36	7 sp. up to 32 mm.
130	36	6 sp. up to 32 mm.
	36	7 sp. up to 32 mm.
130	37	6 sp. up to 33 mm.
	37	7 sp. up to 33 mm.



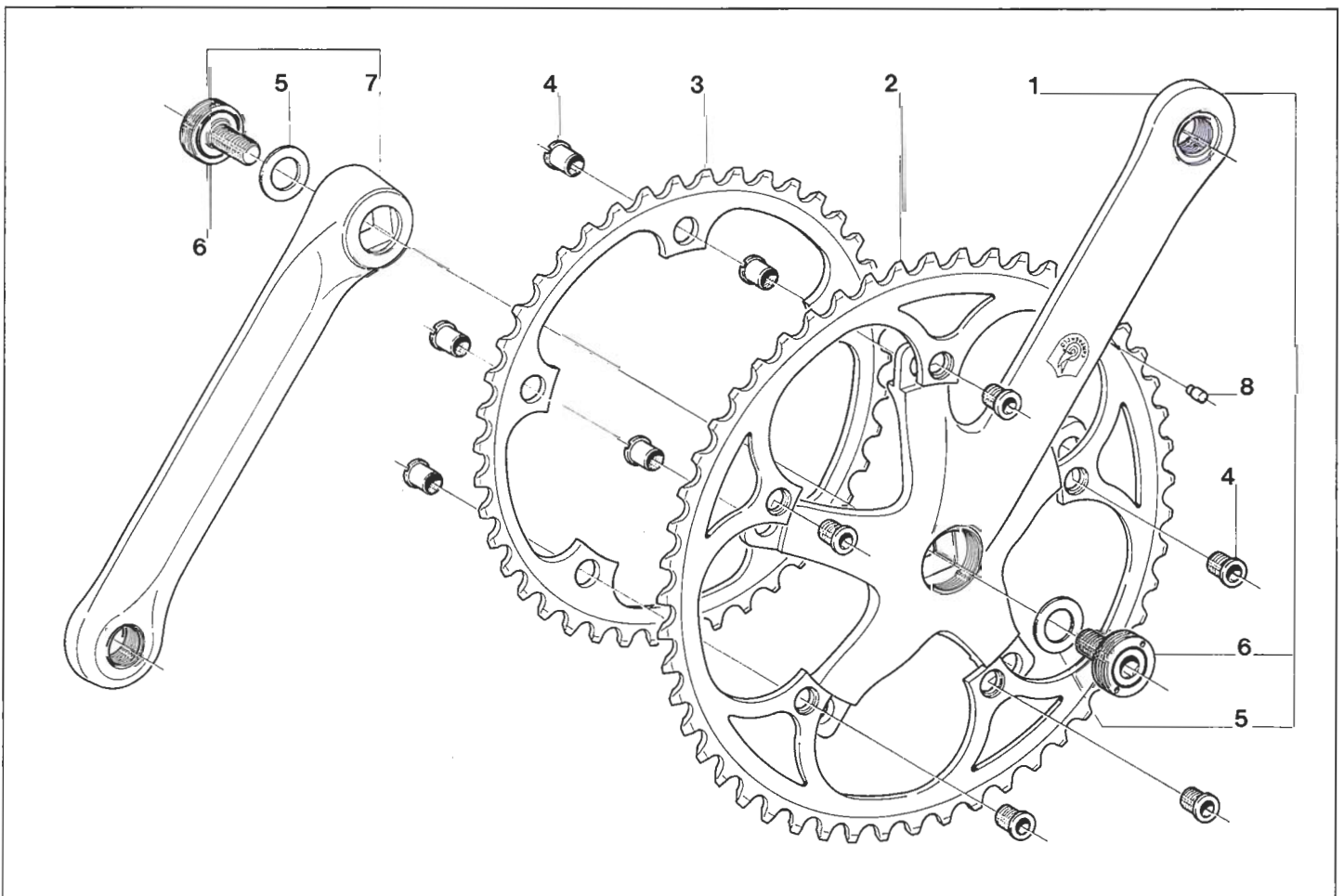


### B040 CROCE D'AUNE CHAINWHEEL

- 1 B071 C.H. crank, pitch circle diameter 135, with incorporated extractor
- 2 CZ00 Outer ring, pitch circle diameter 135, with grub
- 3 AZ001 Inner ring, pitch circle diameter 135
- 4 0100009 Rings fixing screw and nut
- 5 7300116 Screw washer with extractor
- 6 2350001 Screw with incorporated extractor
- 7 B072 L.H. crank with incorporated extractor
- 8 7287005 Chain guard grub for ring from 48 to 54 t.

CODE	CRANKS LENGTH		
	170	172,5	175
B071	●	●	●
B072			

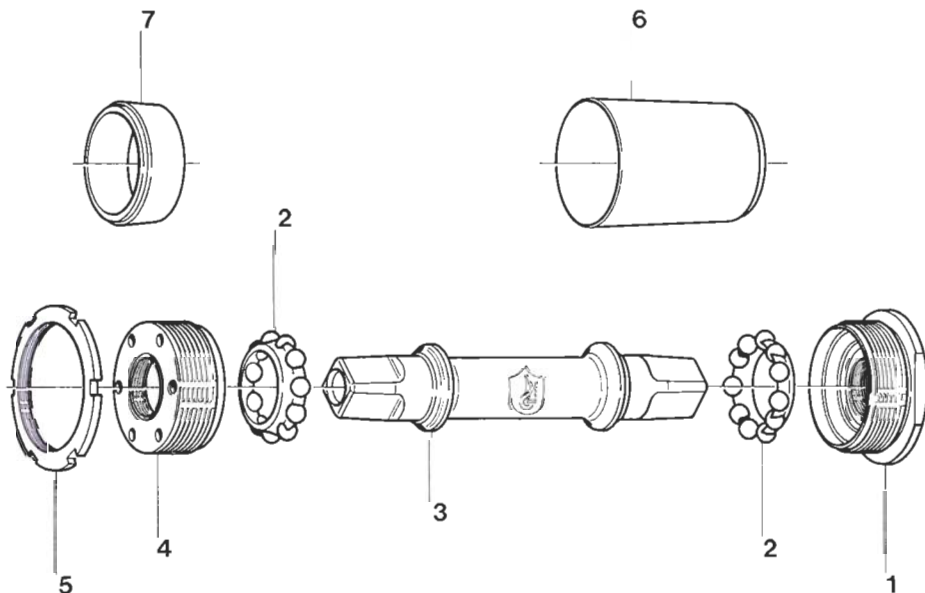
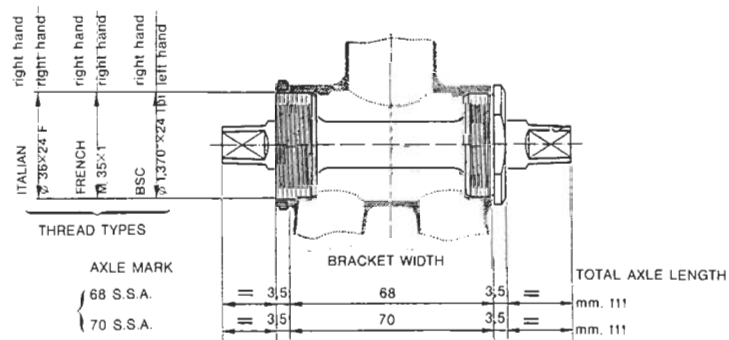
CODE	DESCR.	P.C.D.	RINGS TOOTHING															
			39	40	41	42	43	44	45	46	47	48	49	50	51	52	53	54
AZ001	INNER	135	●	●	●	●	●	●	●	●	●							
CZ00	OUTER	135										●	●	●	●	●	●	●

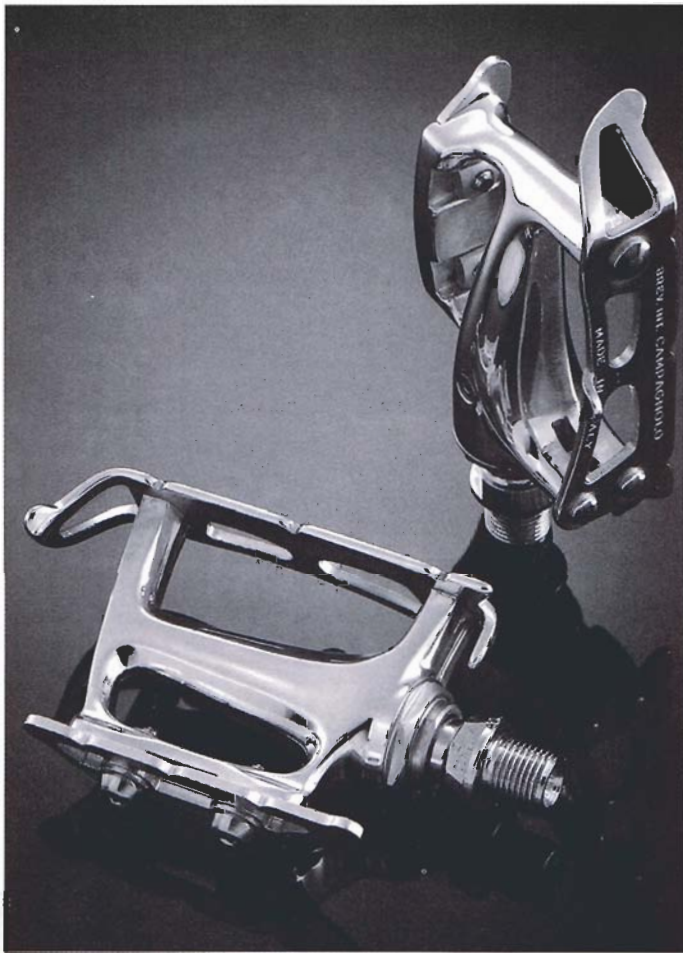




## B0H0 CROCE D'AUNE BOTTOM BRACKET

- 1 7131027 R.H. fixed steel cup, balls  $\phi$  1/4", Italian thread
- 1 7131028 R.H. fixed steel cup, balls  $\phi$  1/4", French thread
- 1 7131029 R.H. fixed steel cup, balls  $\phi$  1/4", BSC thread
- 2 1134017 Balls set  $\phi$  1/4" with resin cage
- 3 7281223 70 SS axle
- 3 7281222 68 SS axle
- 4 7131030 L.H. adjustable steel cup, balls 1/4", Italian thread
- 4 7131031 L.H. adjustable steel cup, balls 1/4", French thread
- 4 7131032 L.H. adjustable steel cup, balls 1/4", BSC thread
- 5 7203001 L.H. cup lockring - Italian thread
- 5 7203002 L.H. cup lockring - French thread
- 5 7203003 L.H. cup lockring - BSC thread
- 6 7201012 Sleeve
- 7 7100009 Sleeve conical ring



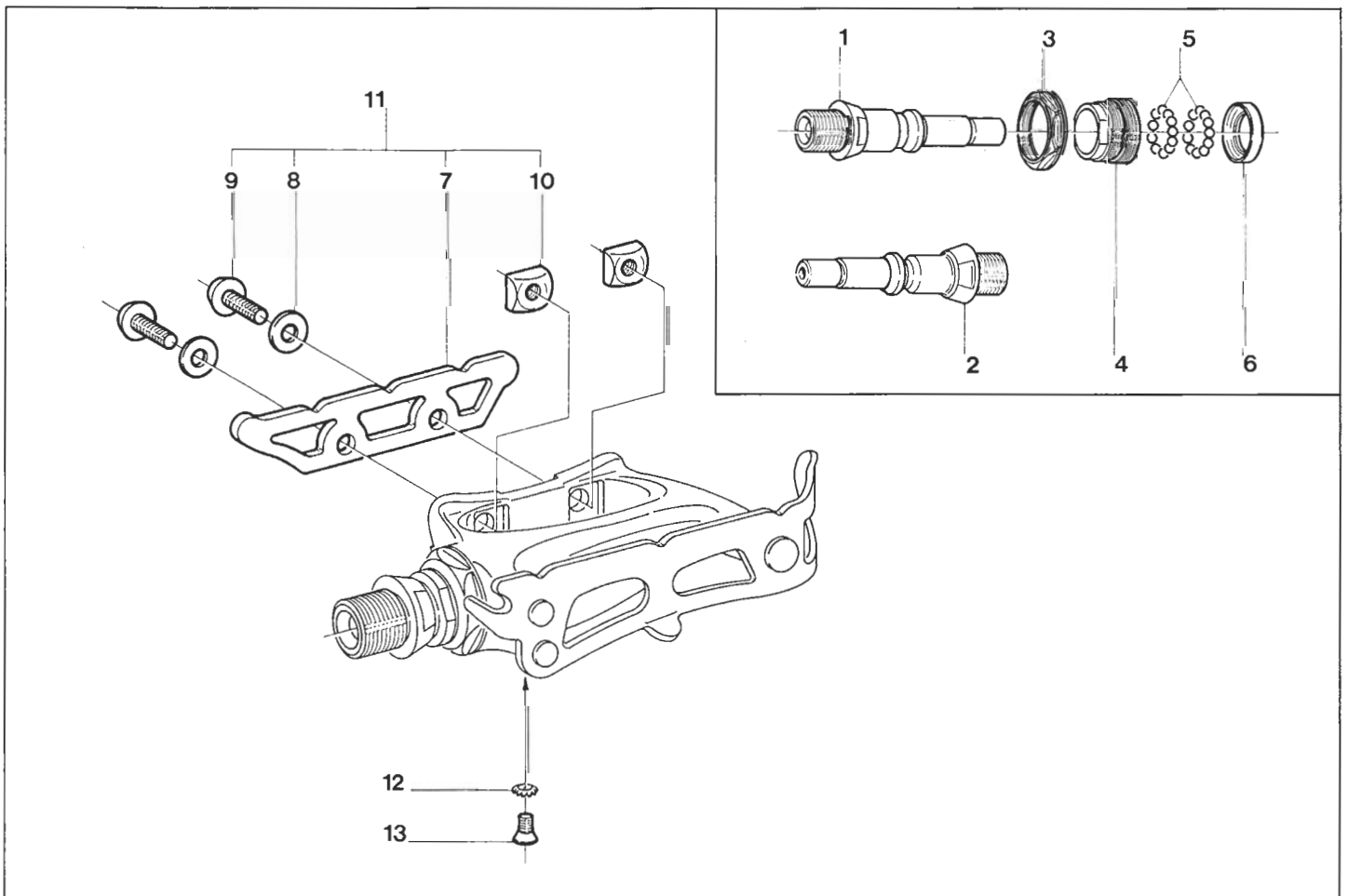


**B625-LM CROCE D'AUNE «TRIPLE-BEARING SYSTEM»  
R.H. PEDAL**

**B626-LM CROCE D'AUNE «TRIPLE-BEARING SYSTEM»  
L.H. PEDAL**

- 1 7281251 R.H. axle
- 2 7281253 L.H. axle
- 3 7161186 Locknut
- 4 7131102 Movable cup
- 5 1321011 Balls set  $\varnothing$  1/8" (28 + 28)
- 6 7131101 Fixed cup
- 7 7283058 Front plate
- 8 7300002 Washer
- 9 7350240 Front plate fixing screw
- 10 7161188 Square nut
- 11 1134030 Envelope with plate, screws and washers
- 12 7304007 Greasing hole elastic washer
- 13 7350247 Greasing hole closing screw

Remark: The pedals are supplied complete with toe-clip and strap



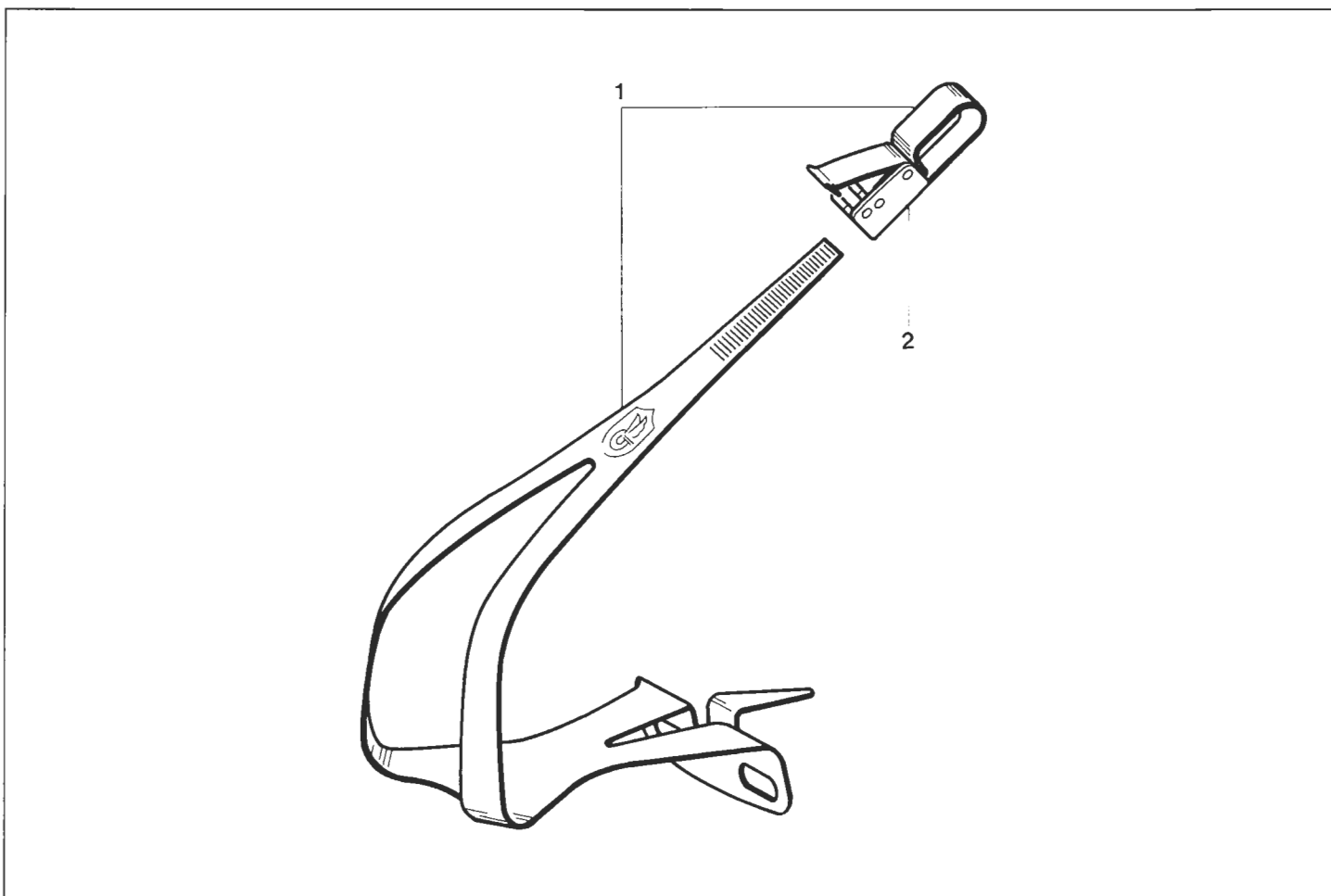


### Toe-clips

- 0F23-L Aluminium toe-clip with shoe plate:  
small (S) - medium (M) - large (L)
- 0F23-A Steel toe-clip with shoe plate:  
small (S) - medium (M) - large (L)
- 1 0F20-A Steel «Multi-Size System» toe-clip:  
small (S) - medium (M) - large (L)
- 2 2183007 «Multi-Size System» toe-clip adjusting buckle

### Straps

- 1153006 Shaped single layer leather strap

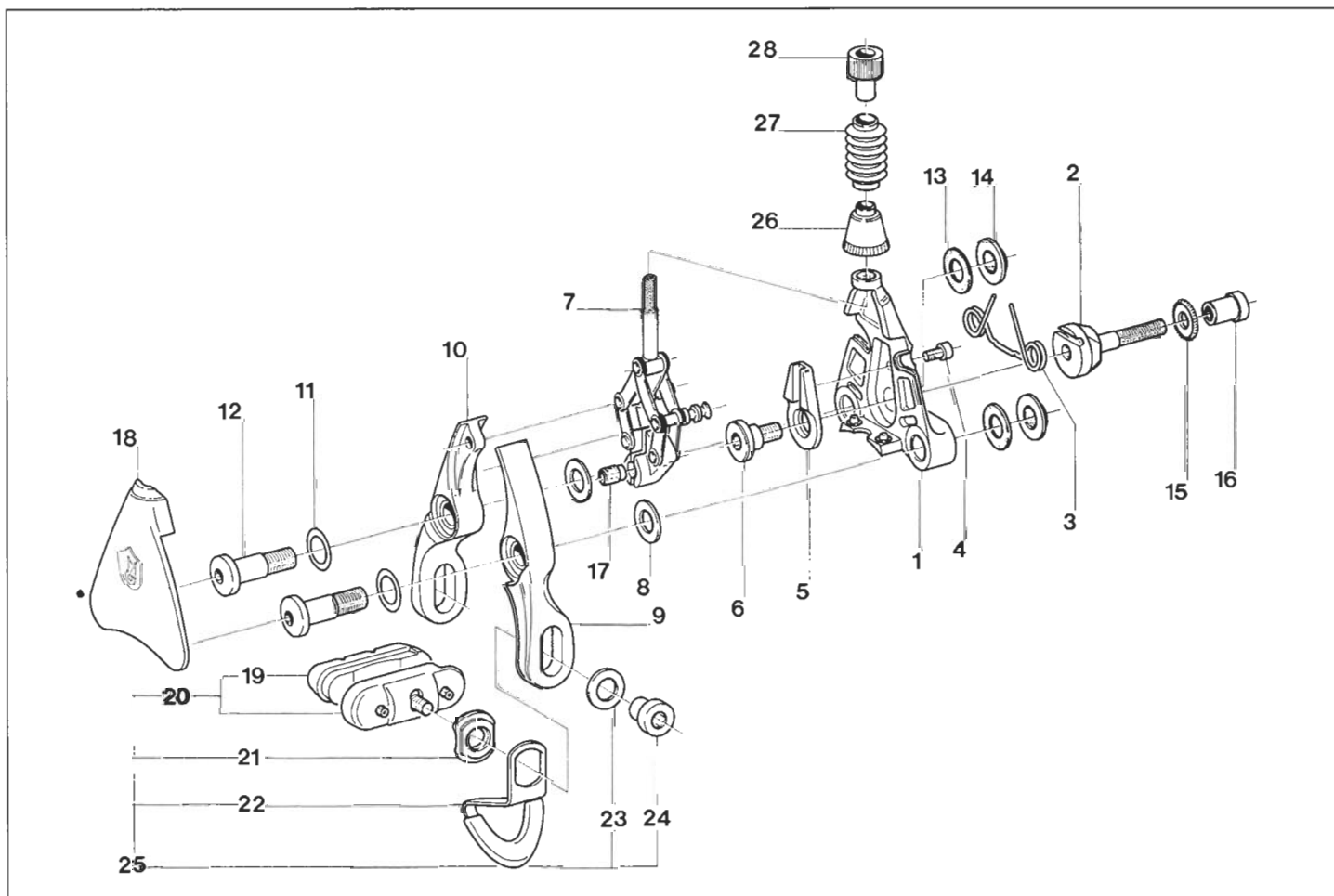




**B051 CROCE D'AUNE «PENTA-DRIVE SYSTEM»  
FRONT BRAKE**

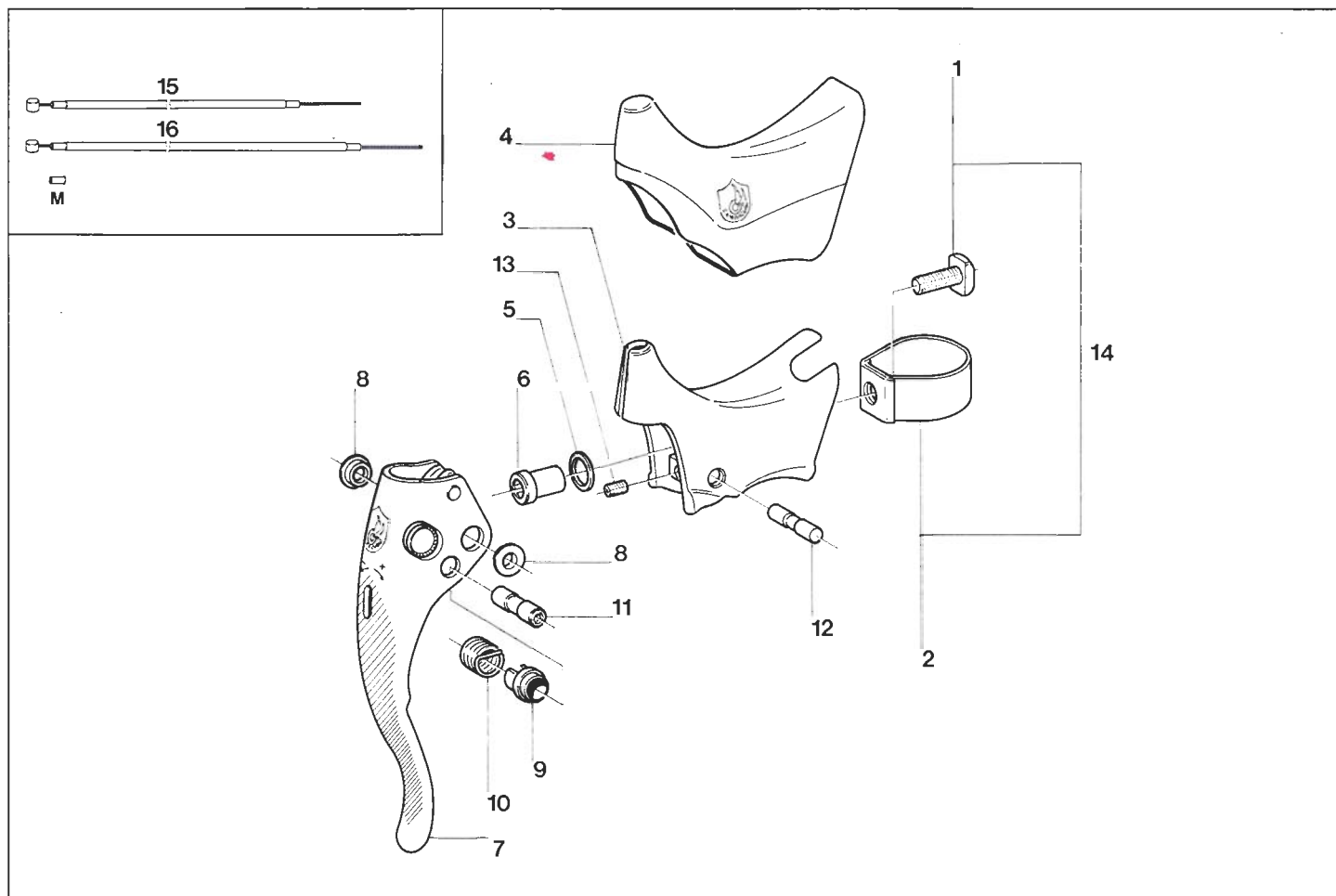
**B052 CROCE D'AUNE «PENTA-DRIVE SYSTEM»  
REAR BRAKE**

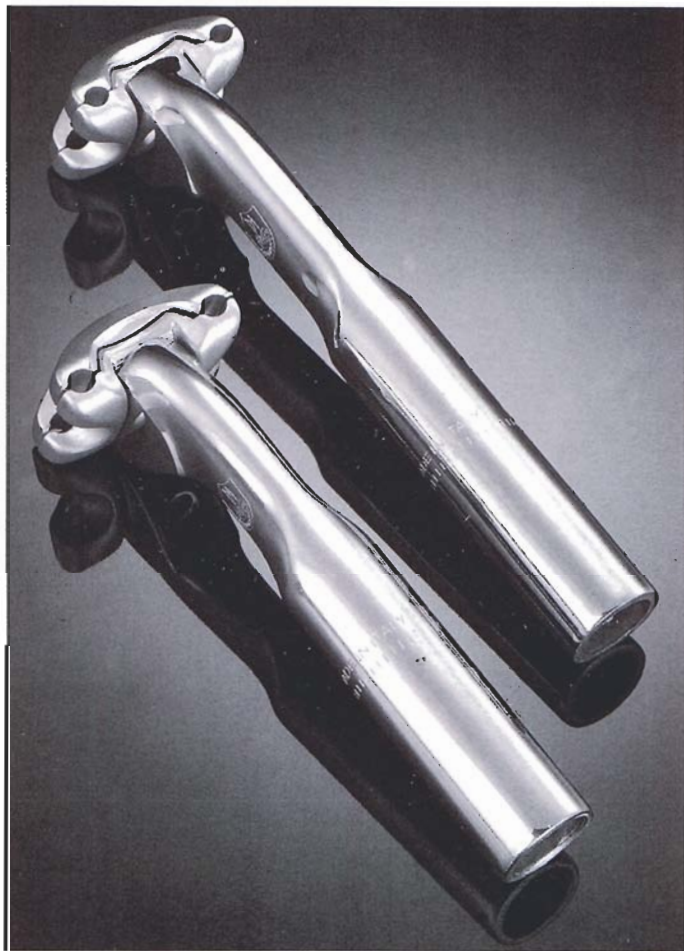
- |    |         |  |
|----|---------|--|
| 1  | 1143090 | Body   |
| 2  | 7281244 | Front center bolt                                  |
| 2  | 7281252 | Rear center bolt                                   |
| 3  | 7260106 | Brake shoe lever return spring                     |
| 4  | 7350238 | Body plate fixing screw                            |
| 5  | 7283065 | Guide plate  |
| 6  | 7350242 | Fixing screw                                       |
| 7  | 1284021 | Complete parallelogram                             |
| 8  | 7300189 | Friction washer                                    |
| 9  | 7241077 | L.H. brake shoe lever                              |
| 10 | 7241078 | R.H. brake shoe lever                              |
| 11 | 7300192 | Brake shoe lever fixing screw washer               |
| 12 | 7350239 | Brake shoe lever fixing screw                      |
| 13 | 7300193 | Knurled washer                                     |
| 14 | 7161189 | Levers fixing screw locknut                        |
| 15 | 7300199 | Toothed washer $\varnothing$ 14                    |
| 16 | 7161105 | Allen recessed nut                                 |
| 17 | 2200001 | Cable fixing dowel                                 |
| 18 | 7136055 | Cover  |
| 19 | 7289008 | Brake block  |
| 20 | 2290012 | Complete brake shoe with block, without guidewheel |
| 21 | 7300188 | Brake shoe concave washer                          |
| 22 | 3210002 | Guidewheel with covering                           |
| 23 | 7300141 | Brake shoe fixing nut washer                       |
| 24 | 7161184 | Brake shoe fixing nut                              |
| 25 | 1290012 | Complete brake shoe                                |
| 26 | 7203044 | Locking sleeve                                     |
| 27 | 7201042 | Bellow   |
| 28 | 7203045 | Adjusting sleeve                                   |



### A054 «POWER-GRADE SYSTEM» BRAKE LEVER

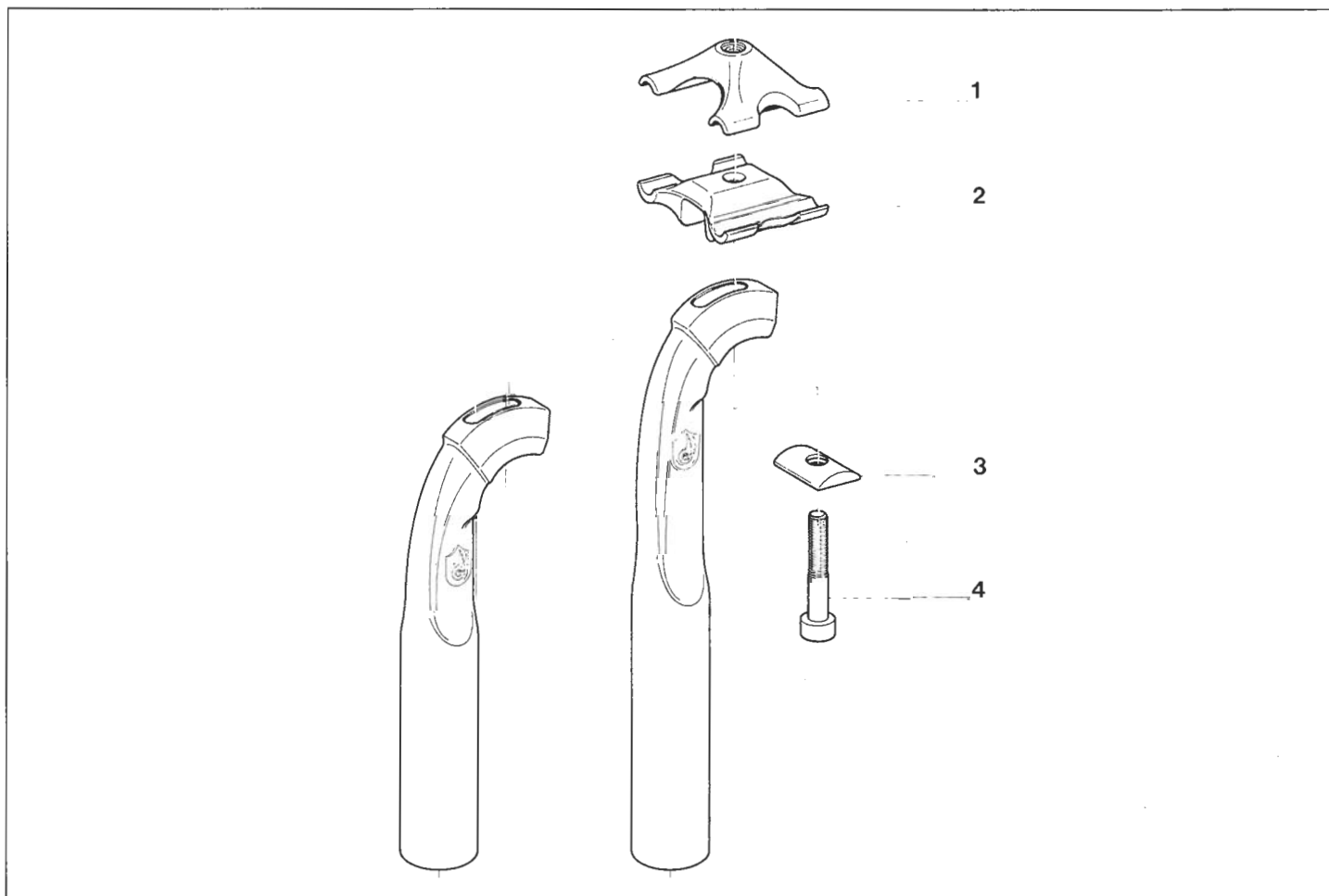
- 1 7350221 Fixing screw
- 2 7182031 Fixing clip
- 3 7143761 Body
- 4 7201041 Hood
- 5 7300177 Washer
- 6 7161105 Allen recessed nut
- 7 1241030 Lever
- 7 1241035 Compact quick release lever
- 8 7116083 Bush
- 9 7116082 Quick release lever bush
- 10 7260092 Quick release lever spring
- 11 7281220 Quick release lever axle
- 12 7281221 Pivot pin
- 13 7200016 Stop dowel
- 14 1182025 Fixing screw and clip set
- 15 0120059 Front brake cable and casing
- 16 0120060 Rear brake cable and casing
- M 7140004 Casing end





**COR1 CHORUS SEAT PIN 180 mm.**  
**COR1-S CHORUS SEAT PIN 130 mm.**

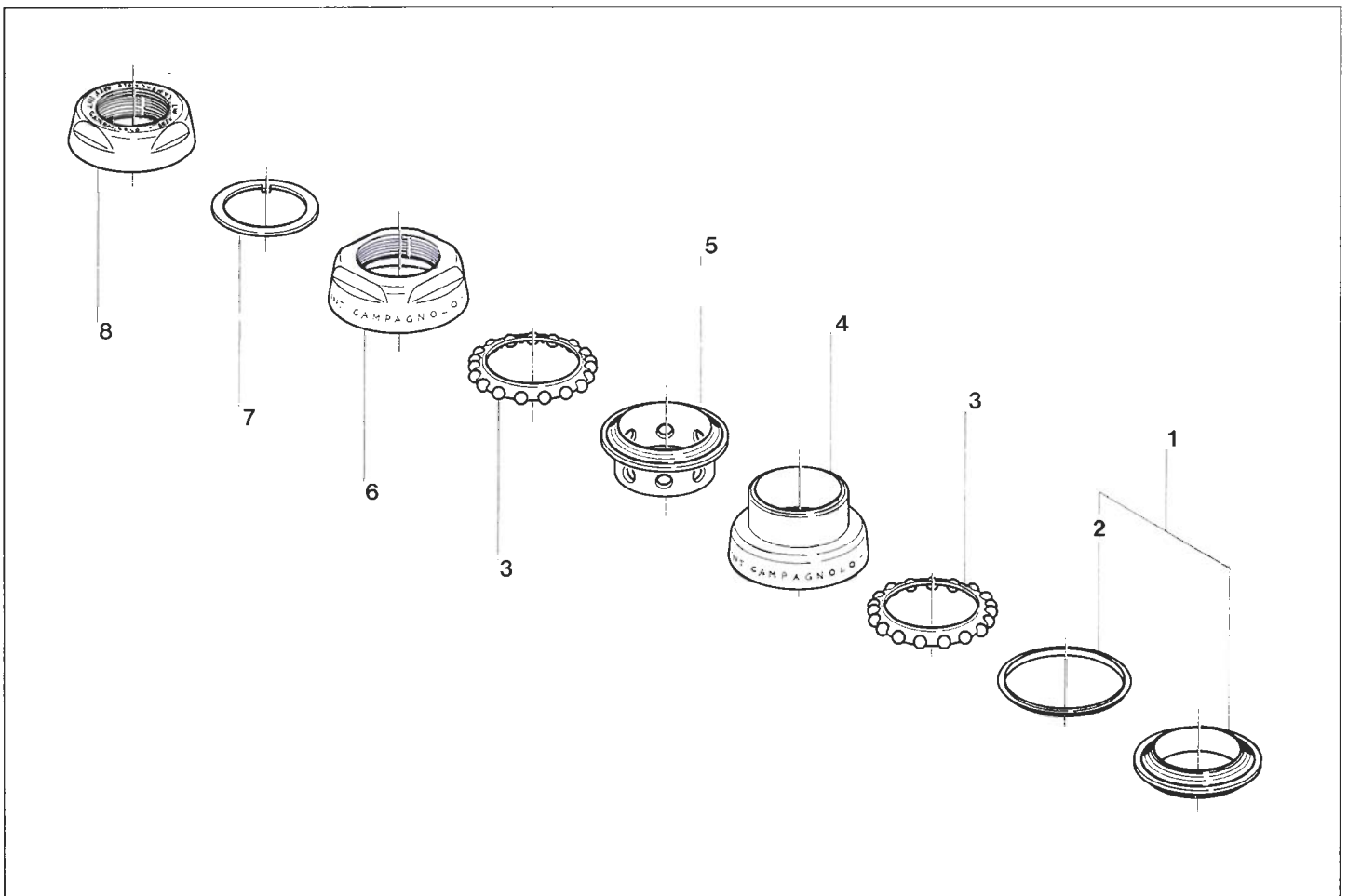
- 1 7320024 Bracket
- 2 7316013 Sliding support
- 3 7300197 Concave washer
- 4 7350152 Fixing screw





### COD0 CHORUS HEAD SET

- 1 1133001 Lower cone with jointing
- 2 7211007 Jointing
- 3 1134018 Balls set  $\varnothing$  3/16" with resin cage
- 4 1131049 Lower cup
- 5 7133081 Upper cone
- 6 1131046 Upper cup, Italian thread
- 6 1131047 Upper cup, French thread
- 6 1131048 Upper cup, BSC thread
- 7 7300119 Toothed washer, Italian/BSC thread
- 7 7300120 Toothed washer, French thread
- 8 7161133 Locknut, Italian thread
- 8 7161134 Locknut, French thread
- 8 7161135 Locknut, BSC thread















Basic group		
CODE	COMPONENTS	VARIANTS
A010	Record gear	
A021	Record braze-on front changer	A022 Record clip-on front changer (pipes $\varnothing$ 28.5 mm.)
A271	Record Doppler braze-on levers	
A300	Record small flange quick release hubs, 36 holes, rear width 126,5 / RH 36, Italian thread mm. 35 $\times$ 24 F	Drillings: 24 - 28 - 32 Rear width: 130 / RH 36 - 130 / RH 37 Thread: BSC 1,370" $\times$ 24 F - FR M 34,7 $\times$ 1
A040	Record chainwheel, pitch circle diameter 135, 170 mm. crank with incorporated extractor - 42/52 t., 1/2" $\times$ 3/32"	Cranks length: 165 - 167,5 - 172,5 - 175 - 177,5 - 180 mm. Inner rings tooting: 39 - 40 - 41 - 43 - 44 - 45 - 46 - 47 Outer rings tooting: 48 - 49 - 50 - 51 - 53 - 54 - 55 - 56 - 57
A0H0	Record bottom bracket Italian thread mm. 36 $\times$ 24 F Width 70 mm.	Thread: BSC 1,370" $\times$ 24 TPI - FR M 35 $\times$ 1 Width: 68 mm.
A620-LM	Record «Triple-Bearing System» pedals complete with medium (M) aluminium toe-clip and shaped double layer leather strap	Toe-clip length: small (S) - large (L) Steel toe-clip: small (S) - medium (M) - large (L) Steel «Multi-Size System» toe-clip: small (S) - medium (M) - large (L)
A500D	Record Delta brake complete with two «Power-Grade System» brake levers, cables and casings	«Power-Grade System» Record Compact brake lever (code A055)
A0R2	Record styled seat pin 180 mm. $\varnothing$ 27,2, complete with fixing screw and nut $\varnothing$ 8	Length: 180 mm. (code A0R2) $\varnothing$ : 25 - 26,2 - 26,4 - 26,6 - 26,8 - 27 Length: 130 mm. (code A0R2-S) $\varnothing$ : 25 - 26,2 - 26,4 - 26,6 - 26,8 - 27 - 27,2
A0D0	Record aluminium head set, Italian thread mm. 25,4 $\times$ 24 F	Thread: BSC 1" $\times$ 24 TPI - FR M 25 $\times$ 1
1120005	Biodynamic bottle with cage	



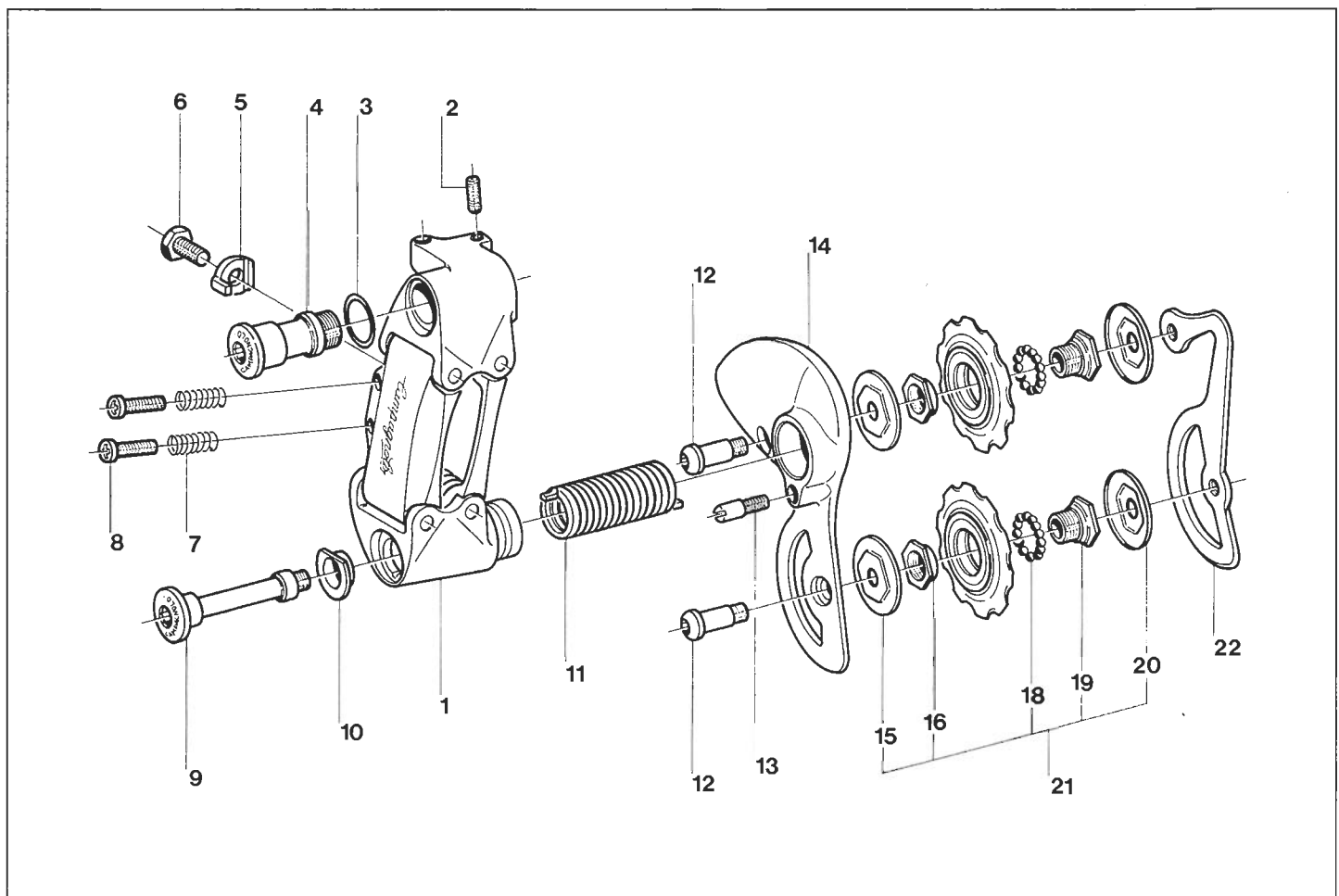
Substitutive components		
CODE	COMPONENTS	VARIANTS
C023	Chorus adjustable clip-on front changer (pipes from $\varnothing$ 28 to 33 mm.)	
A272 A273 A221 A222 A223 A281 A282 A283	Record Doppler clip-on double lever Record Doppler braze-on top of tube double lever Record Syncro braze-on levers Record Syncro clip-on double lever Record Syncro braze-on top of tube double lever Record Friction braze-on levers Record Friction clip-on double lever Record Friction braze-on on top of tube double lever	for 6 or 7 speed freewheel for 6 or 7 speed freewheel for 6 or 7 speed freewheel
A300-FG	Record large flange quick release hubs, 36 holes, rear width 126,5 / RH 36, Italian thread mm. 35 $\times$ 24 F.	Drillings: 24 - 28 - 32 Rear width: 130 / RH 36 - 130 / RH 37 Thread: BSC 1,370" $\times$ 24 F - FR M 34,7 $\times$ 1
A600-AM A630-LM A610	Record pedals complete with medium (M) steel toe-clip and shaped double layer leather strap Record Ergonomic pedals complete with medium (M) aluminium toe-clip and shaped double layer leather strap Record SGR «Triple-Bearing System» pedals complete with shoe plate with fixing screws and washers	Toe-clip length: small (S) - large (L) Toe-clip length: small (S) - large (L) Steel toe-clip: small (S) - medium (M) - large (L) Steel «Multi-Size System», toe-clip, length: small (S) - medium (M) - large (L)
A0R8	Record cylindrical seat pin 180 mm. $\varnothing$ 27,2 complete with fixing screw and nut $\varnothing$ 8	Length: 180 mm. (code A0R8) $\varnothing$ : 25 - 26,2 - 26,4 - 26,6 - 26,8 - 27 Length: 130 mm. (code A0R8-S) $\varnothing$ : 25 - 26,2 - 26,4 - 26,6 - 26,8 - 27 - 27,2

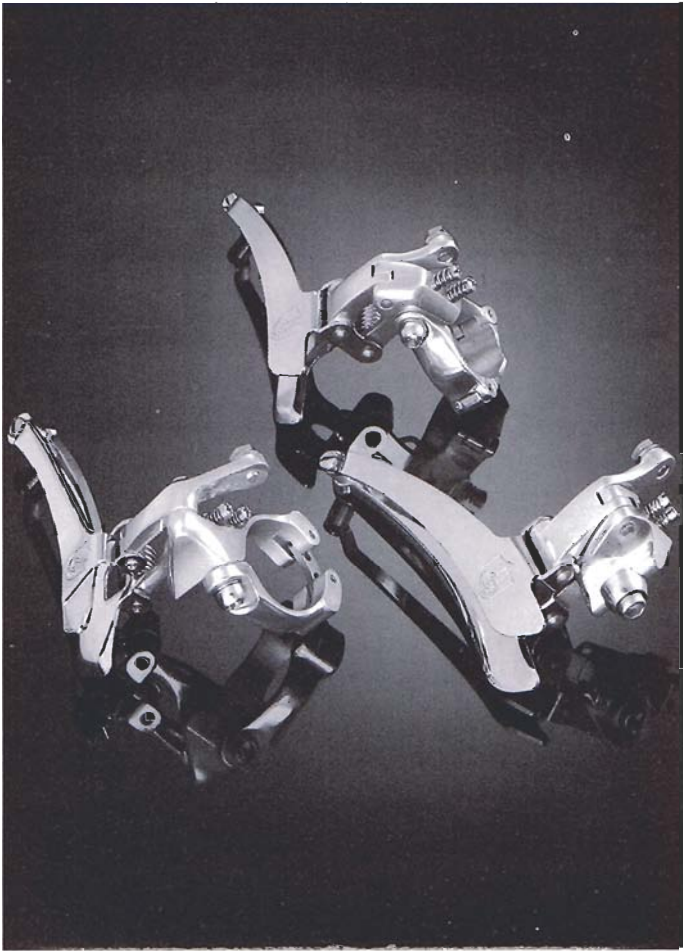
the basic version will be supplied.



### A010 RECORD GEAR

- 1 1284016 Complete parallelogram
- 2 7200017 Adjusting dowel
- 3 7304009 Convex elastic washer
- 4 7350142 Fixing pivot
- 5 7270003 Fixing cable washer
- 6 7350002 Fixing cable screw
- 7 7260094 Adjusting screw washer
- 8 7350203 Front changer adjusting screw
- 9 7350143 Pivot bolt screw
- 10 7116059 Pivot bolt body bush
- 11 7260076 Cage plate rotating spring
- 12 7350144 Roller fixing screw
- 13 7287011 Cage plates stop grub
- 14 1119016 Complete outer cage plate
- 15 7146018 Roller dust cover with indentation
- 16 7133042 Roller female cone
- 18 1321010 Balls set  $\varnothing$  1/8" (6+6)
- 19 7133041 Roller male cone
- 20 7146016 Roller dust cover
- 21 1302006 Complete roller
- 22 7119032 Inner cage plate





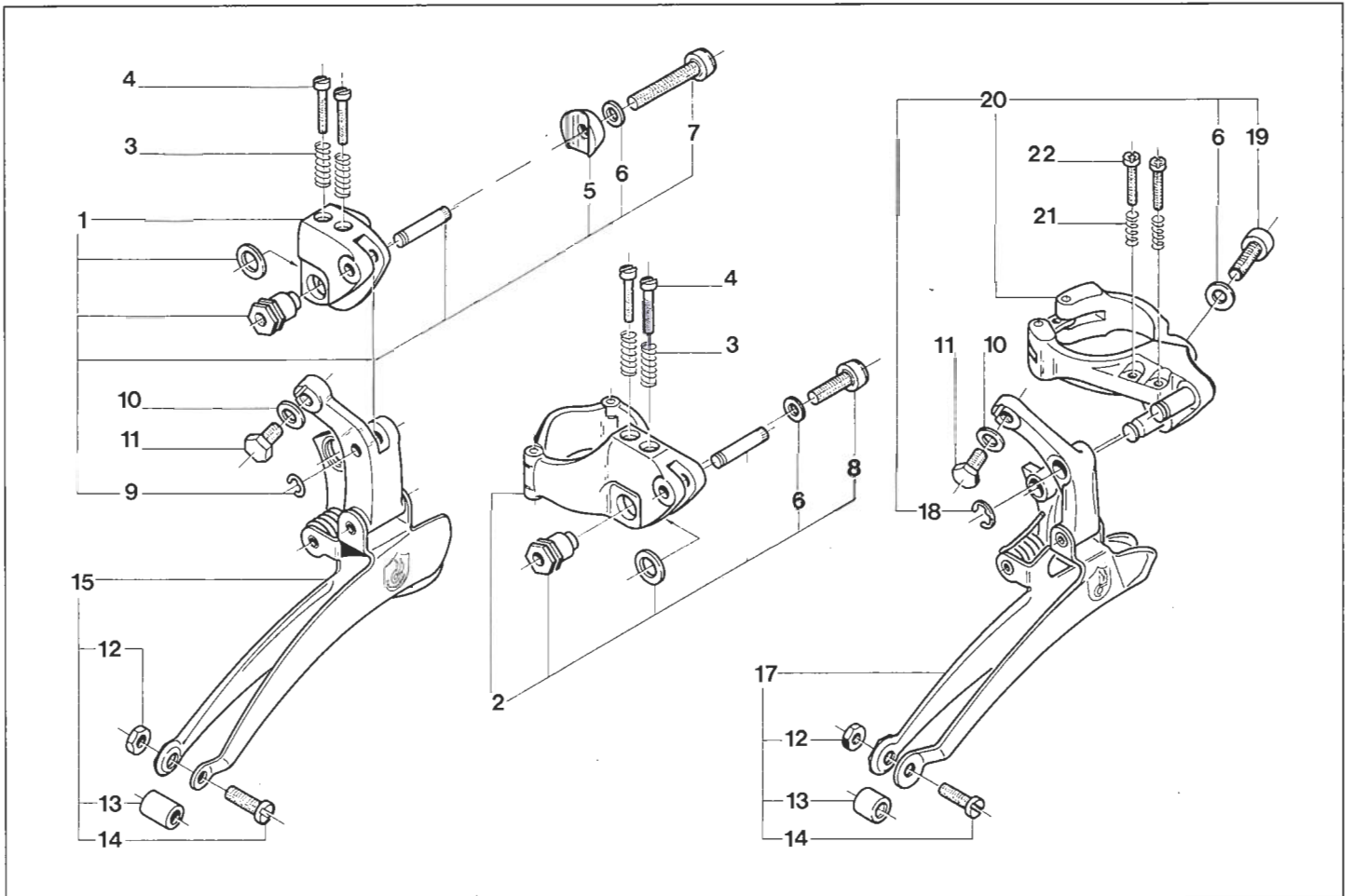
**A021 RECORD BRAZE-ON FRONT CHANGER**

**A022 RECORD CLIP-ON FRONT CHANGER**

- 1 1143068 Braze-on complete body
- 2 1143067 Clip-on complete body
- 3 7260073 Adjusting screw spring
- 4 7350140 Adjusting screw
- 5 7300161 Braze-on front changer concave washer
- 6 7300117 Clip fixing screw washer
- 7 7350213 Braze-on front changer fixing screw
- 8 7350275 Clip-on front changer fixing screw
- 9 7100035 Circlip
- 10 7300114 Fixing cable screw washer
- 11 7350002 Fixing cable screw
- 12 7161096 Fork connecting nut in stainless steel
- 13 7116011 Fork bush
- 14 7350106 Fork connecting chrome-plated screw
- 15 1180011 Complete fork

**C023 CHORUS ADJUSTABLE CLIP FRONT CHANGER**

- 6 7300117 Clip fixing screw washer
- 10 7300114 Fixing cable screw washer
- 11 7350002 Fixing cable screw
- 12 7161096 Fork connecting nut in stainless steel
- 13 7116011 Fork bush
- 14 7350106 Fork connecting chrome-plated screw
- 17 1180010 Complete fork
- 18 7100008 Circlip
- 19 7350145 Clip-on front changer fixing screw
- 20 1143074 Adjustable clip-on complete body
- 21 7260105 Adjusting screw spring
- 22 7350226 Adjusting screw







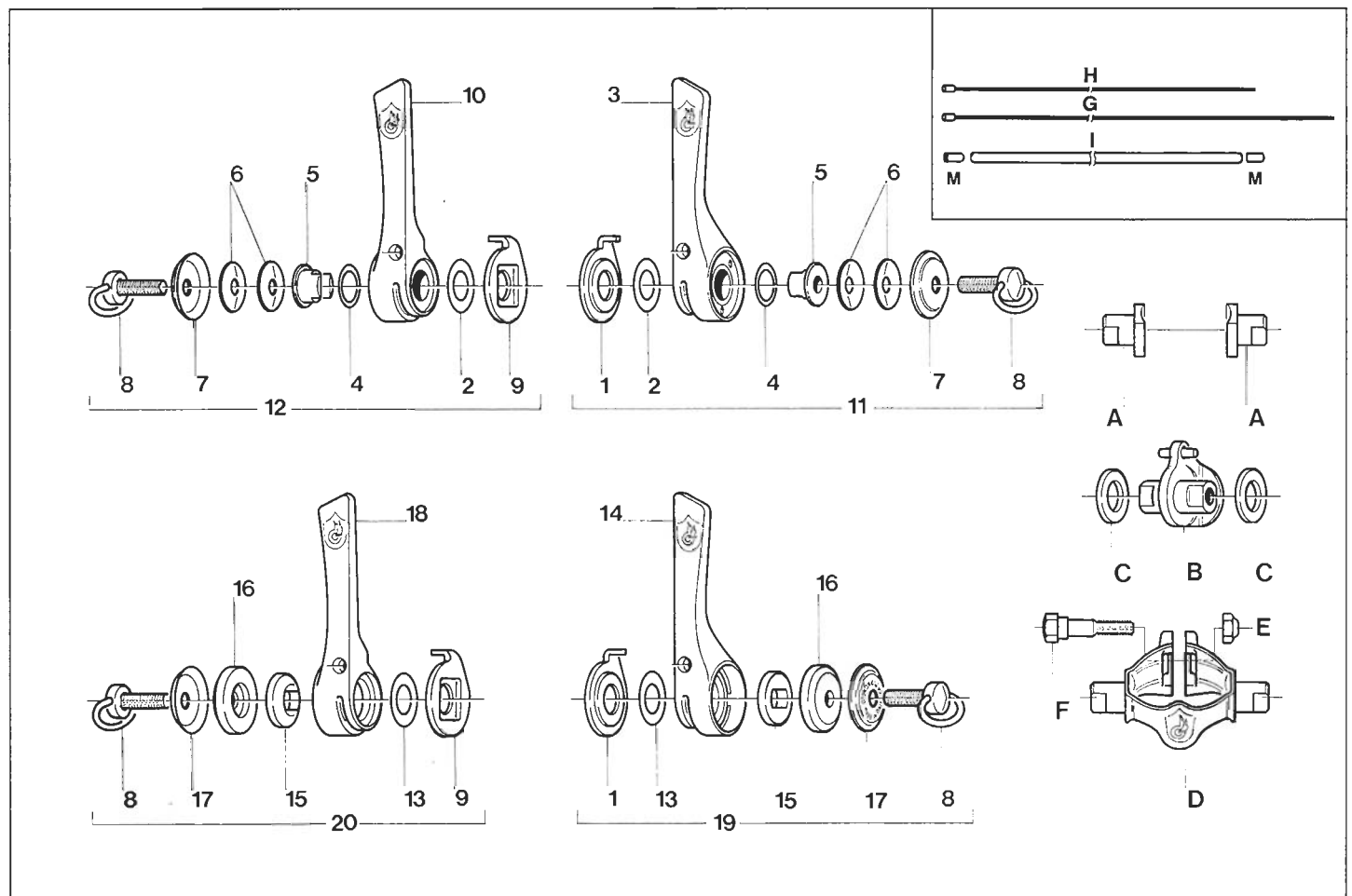
**A271 RECORD DOPPLER BRAZE-ON LEVERS**  
**A272 RECORD DOPPLER CLIP-ON LEVERS**  
**A273 RECORD DOPPLER ON TOP OF TUBE LEVERS**

- 1 7320031 R.H. bracket
- 2 7306004 Inner friction washer
- 3 1264014 R.H. lever
- 4 7306005 Outer friction washer
- 5 7325002 Square boss milled shim
- 6 7260086 Cup spring
- 7 7136040 Cover
- 8 1202005 Adjusting wing nut
- 9 7320032 L.H. bracket
- 10 1264015 L.H. lever
- 11 0118071 Gear Record Doppler complete lever
- 12 0118072 Front changer Record Doppler complete lever

**A281 RECORD FRICTION BRAZE-ON LEVERS**  
**A282 RECORD FRICTION CLIP-ON LEVERS**  
**A283 RECORD FRICTION ON TOP OF TUBE LEVERS**

- 1 7320031 R.H. bracket
- 8 1202005 Adjusting wing nut
- 9 7320032 L.H. bracket
- 13 7300178 Bracket washer
- 14 7264041 R.H. lever
- 15 7306003 Friction washer
- 16 7160076 Spacer
- 17 7136040 Cover
- 18 7264042 L.H. lever
- 19 0118091 Gear Record Friction complete lever
- 20 0118092 Front changer Record Friction complete lever

- A 7102002 Braze-on lever square boss
- B 7316014 On top of tube braze-on boss
- C 7300149 On top of tube double lever washer
- D 1182023 Double lever clip
- E 7161095 Fixing clip nut
- F 7350009 Fixing clip screw
- G 7145028 Gear cable
- H 7145029 Front changer cable
- I 0120062 Casing and casing end (not assembled)
- M 7140003 Casing end





**A221 RECORD SYNCRO BRAZE-ON LEVERS**  
**A222 RECORD SYNCRO CLIP-ON LEVERS**  
**A223 RECORD SYNCRO ON TOP OF TUBE LEVERS**

- 1 7320038 R.H. bracket
- 2 7300178 Bracket washer
- 3 7264043 R.H. lever
- 4 7300196 Spacing washer
- 5 7260108 R.H. lever spring
- 6 see table Micrometric insert
- 7 7116085 Release bush
- 8 1136013 R.H. lever adjusting wing nut
- 9 7320026 L.H. bracket
- 10 7300104 Washer
- 11 7264044 L.H. lever
- 12 7306003 Friction washer
- 13 7300115 Washer
- 14 7136021 Cover
- 15 7260067 Disc spring
- 16 1202001 Adjusting wing nut
- 17 0118130 Gear Record syncro complete lever, without insert 6
- 18 0118113 Front changer Record Syncro complete lever
  
- A 7102002 Braze-on lever square boss
- B 7316014 On top of tube braze-on boss
- C 7306010 Washer
- D 1182023 Double lever clip
- E 7161095 Fixing clip nut
- F 7350009 Fixing clip screw
- G 7145028 Gear cable
- H 7145029 Front changer cable
- I 0120062 Casing and casing end (not-assembled)
- L 1350011 Adjusting casing screw, nut and spring set casing end
- M 7140003

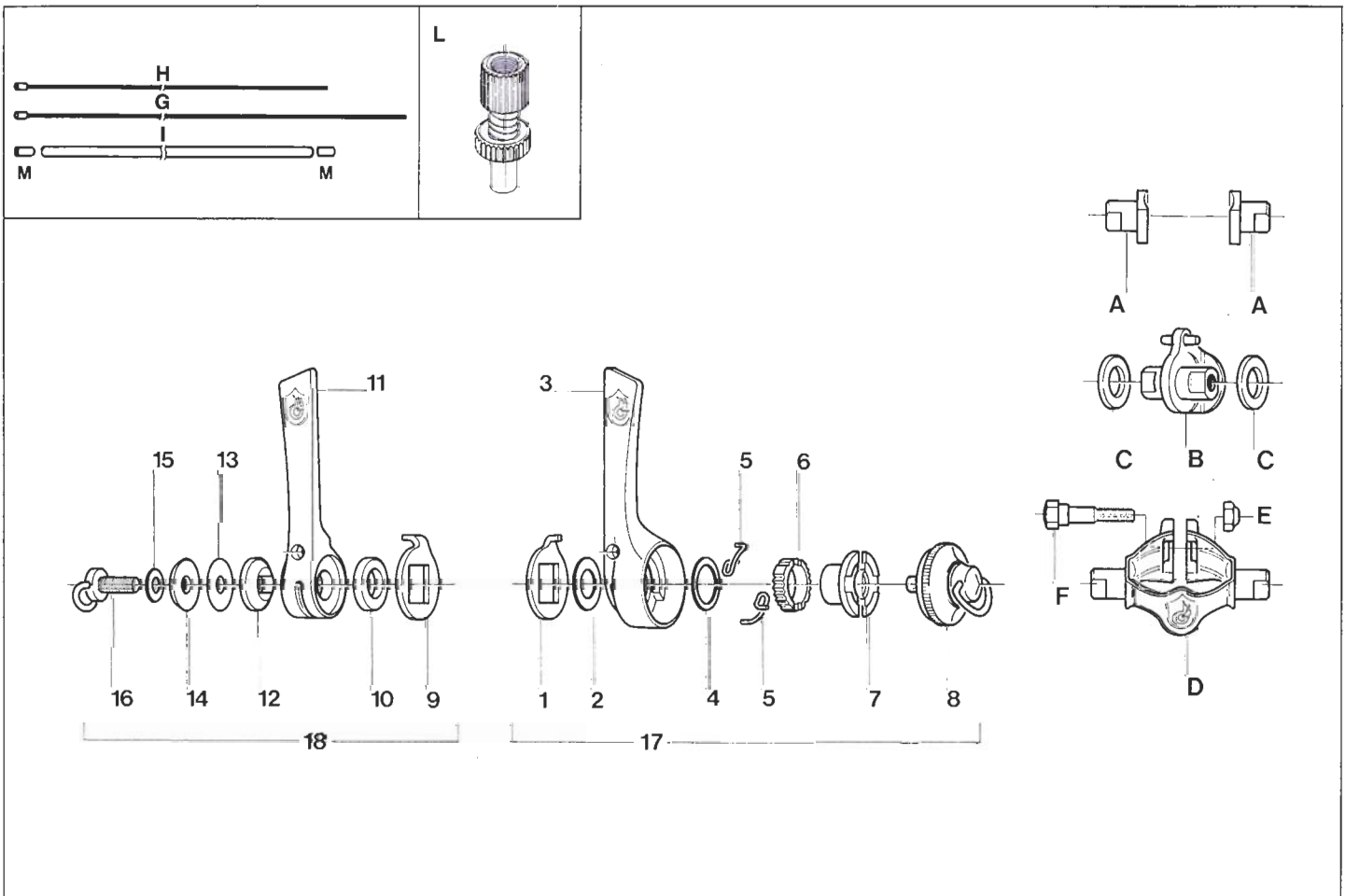




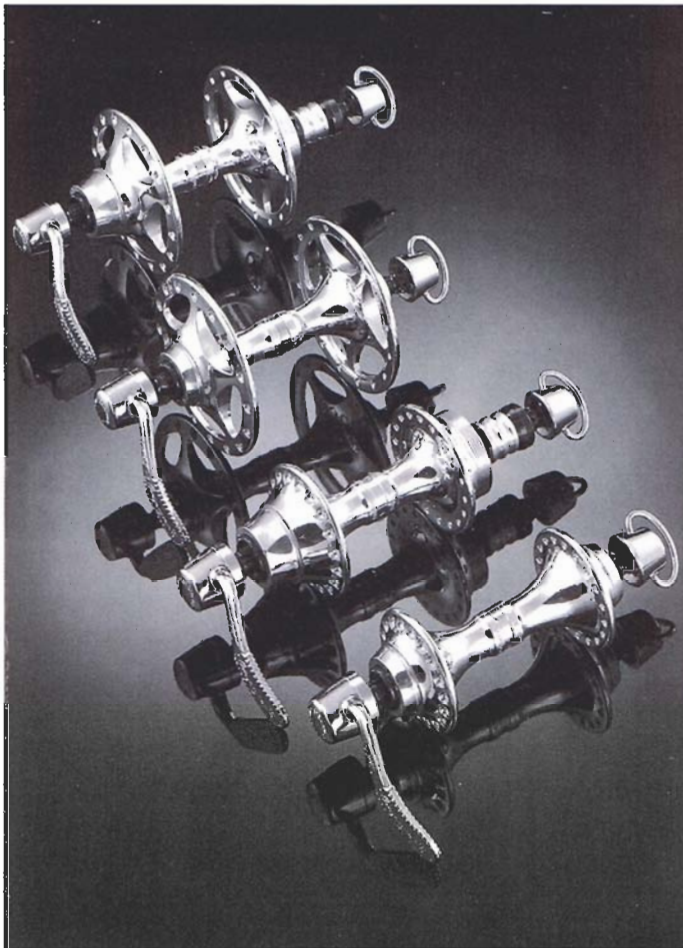
TABLE FOR THE BEST CONNECTION OF «RECORD SYNCRO» LEVERS WITH FREEWHEELS, CHAINS AND GEARS

GEARS	RECORD	SUPER RECORD	VICTORY TRIOMPHE	CHORUS	CHORUS	CROCE D'AUNE SM	CROCE D'AUNE LG	ATHENA
6 SPEED FREE WHEELS	6 V	6 V	6 V	A 6	B 6	6 V	6 V	6 V
CAMPAGNOLO	● * ■	● * ■	● * ■	● * ■	● * ■	● * ■	● * ■	● * ▲ ■ ○
MAILLARD 700 COURSE	● * ▲ ■	● * ▲ ■	● * ▲ ■	● * ▲ ■	● * ▲ ■	● * ▲ ■	● * ▲ ■	● * ▲ ■ ○
REGINA AMERICA	● * ▲	● * ▲ ■	● * ▲ ■	● * ■	● * ■	● * ▲ ■	● * ▲ ■	● * ▲ ■ ○
REGINA ORO	● * ▲	● * ▲ ■	● * ▲ ■	● * ▲ ■	● * ▲ ■	● * ▲ ■	● * ▲ ■	
SUNTOUR WINNER	● * ▲ ■	● * ▲ ■	● * ▲ ■	● * ▲ ■	● * ▲ ■	● * ▲ ■	● ▲ ■	* ▲
SHIMANO 105	● * ▲	● * ▲	● * ▲	● * ▲ ■	● * ▲ ■	● * ▲	● * ▲	● * ▲ ■
SHIMANO DURA ACE	● * ▲	● * ▲	● * ▲	● * ▲ ■	● * ▲ ■	● * ▲	● * ▲	● * ▲ ■
CAIMI	● * ▲ ■	● * ▲ ■	● * ■	● * ▲ ■	● * ▲ ■	● * ▲ ■	● * ▲ ■	● * ▲ ■ ○

GEARS	RECORD	SUPER RECORD	VICTORY TRIOMPHE	CHORUS	CHORUS	CROCE D'AUNE SM	CROCE D'AUNE LG	ATHENA
7 SPEED FREE WHEELS	7 V	7 V	7 V	A 7	B 7	7 V	7 V	7 V
CAMPAGNOLO SERVIZIO CORSA COMPACT	● ■	● ■	● ■	● * ■	● * ■	● * ■	● * ■	● * ■
MAILLARD 700 COMPACT	● ■	● ■	● ▲ ■	● * ▲ ■	● * ▲ ■	● * ▲ ■	● * ▲ ■	● * ■
REGINA CX S COMPACT	● ■	● ■	● ■	● * ▲ ■	● * ▲ ■	● * ▲ ■	● * ▲ ■	● * ▲ ■
SUNTOUR W.P. UC 7000	● ▲	● ■	● ■	● * ■	● * ■	● * ▲	* ▲	
SHIMANO DURA ACE	● *	● *	● *	● *	● *	● * ▲	● * ▲	● * ▲ ■
CAIMI COMPACT	● ▲ ■	● ▲	● ▲ ■	● * ■	● * ■	* ▲ ■	▲ ■	● * ▲ ■ ○

Symbols meaning:

● Regina CX S chain - ■ Sedis Sport chain - ▲ Suntour UC 6000 chain - \* Shimano Uniglide 600 chain - ○ Union de luxe  
 Remark: For Super Record, Victory, Triomphe (extensible to Nuovo Record and LZ) code 7222064.

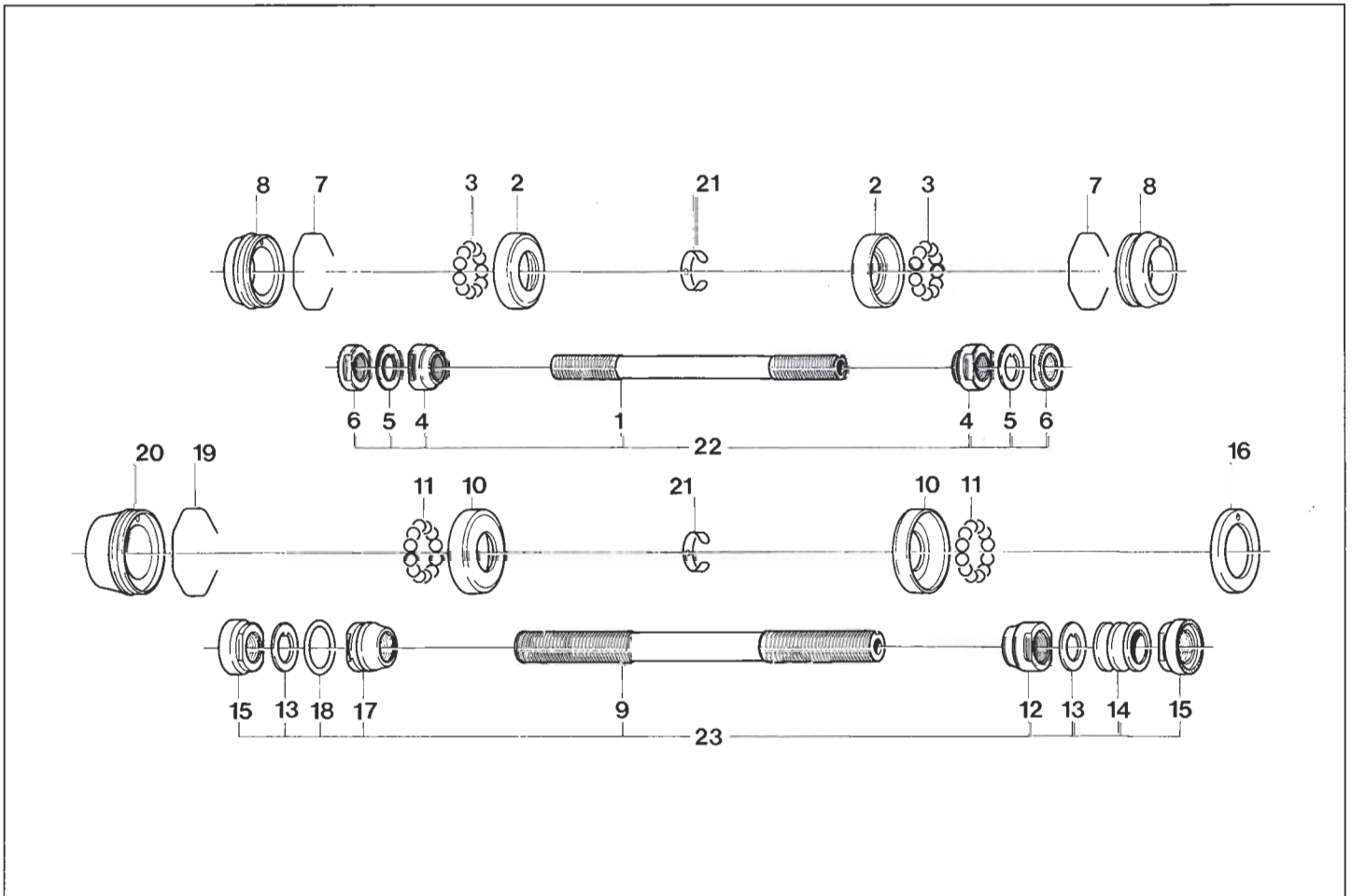


**A031 RECORD SMALL FLANGE FRONT HUB**  
**A031-FG RECORD LARGE FLANGE FRONT HUB**

- 1 7281023 Hollow axle
- 2 7131071 Cup
- 3 1321006 Balls set  $\phi$  7/32" (9+9)
- 4 7133076 Cone
- 5 see spec. Toothed washer
- 6 7161170 Locknut
- 7 7100033 Dust cover circlip
- 8 7146011 Dust cover
- 21 7182028 Oiler hole central clip
- 22 1281045 Complete axle

**A032 RECORD SMALL FLANGE REAR HUB**  
**A032-FG RECORD LARGE FLANGE REAR HUB**

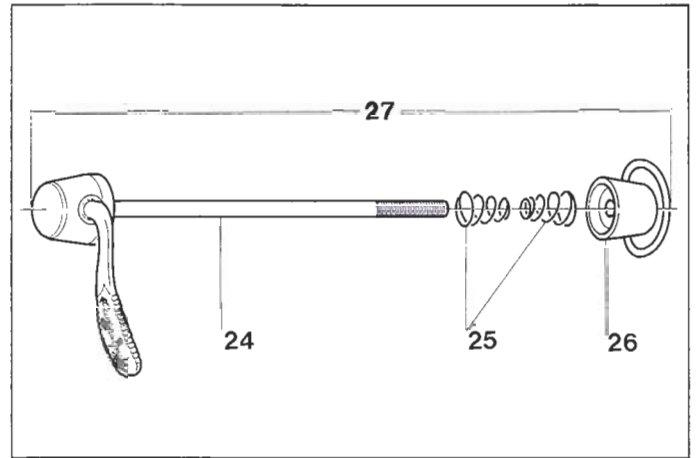
- 9 7281027 7 speed hollow axle
- 9 7281211 6 speed hollow axle
- 10 7131072 Cup
- 11 1321005 Balls set  $\phi$  1/4" (9+9)
- 12 7133053 R.H. cone
- 13 see spec. Toothed washer
- 14 see spec. Spacer
- 15 7161173 Locknut by 8 mm.
- 15 7161172 Locknut by 6,5 mm.
- 16 7146015 R.H. dust cover
- 17 7133080 L.H. cone
- 18 7100046 Jointing ring
- 19 7100034 Dust cover circlip
- 20 7146025 L.H. dust cover
- 21 7182028 Oiler hole central clip
- 23 1281047 6 speed complete axle
- 23 1281048 7 speed complete axle, shim adjustment to clearance 37
- 23 1281049 7 speed complete axle, shim adjustment to clearance 36





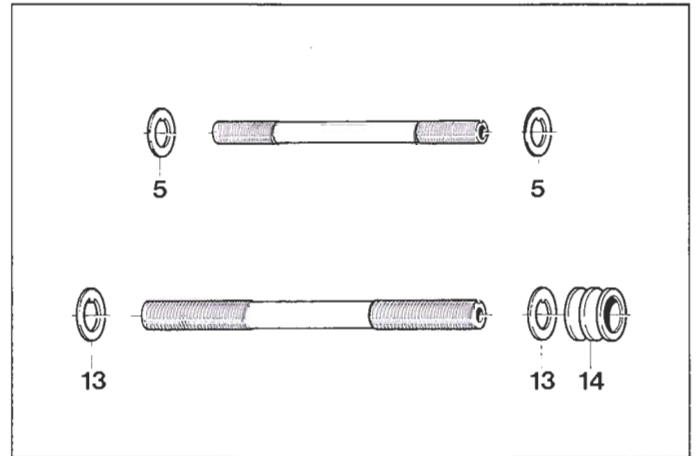
### Quick release

- 24 2319018 Front hub locking skewer
- 24 2319020 Rear hub 6 speed locking skewer
- 24 2319021 Rear hub 7 speed locking skewer
- 25 7260002 Conical spring
- 26 2202003 Adjusting wing nut
- 27 1319022 Front complete quick release
- 27 1319024 Rear 6 speed complete quick release
- 27 1319025 Rear 7 speed complete quick release



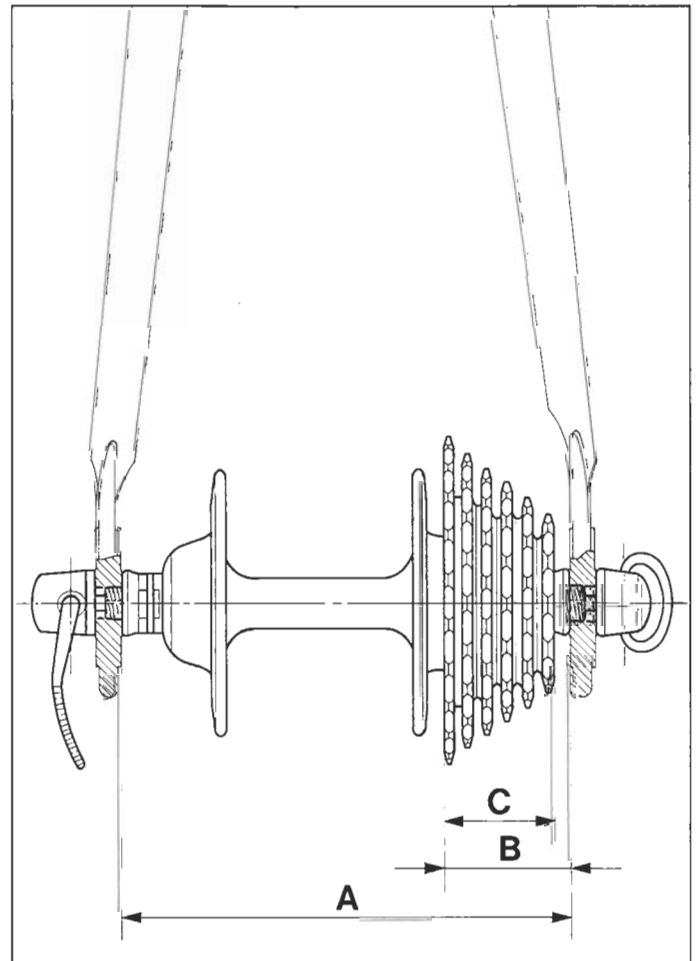
### Washers and spacers specifications

- 5 7300026 Front hub toothed washer by 1 mm.
- 5 7300027 Front hub toothed washer by 1,5 mm.
- 5 7300028 Front hub toothed washer by 2 mm.
- 13 7300040 Rear hub toothed washer by 1 mm.
- 13 7300041 Rear hub toothed washer by 1,5 mm.
- 13 7300042 Rear hub toothed washer by 2 mm.
- 14 7160074 Rear hub spacer by 2,5 mm.
- 14 7160003 Rear hub spacer by 3,5 mm.
- 14 7160014 Rear hub spacer by 12,5 mm.
- 14 7160075 Rear hub spacer by 13,5 mm.



A	B	C
Frame width	R.H. width	Freewheel width

126,5	36	6 sp. up to 32 mm.
	36	7 sp. up to 32 mm.
130	36	6 sp. up to 32 mm.
	36	7 sp. up to 32 mm.
130	37	6 sp. up to 33 mm.
	37	7 sp. up to 33 mm.



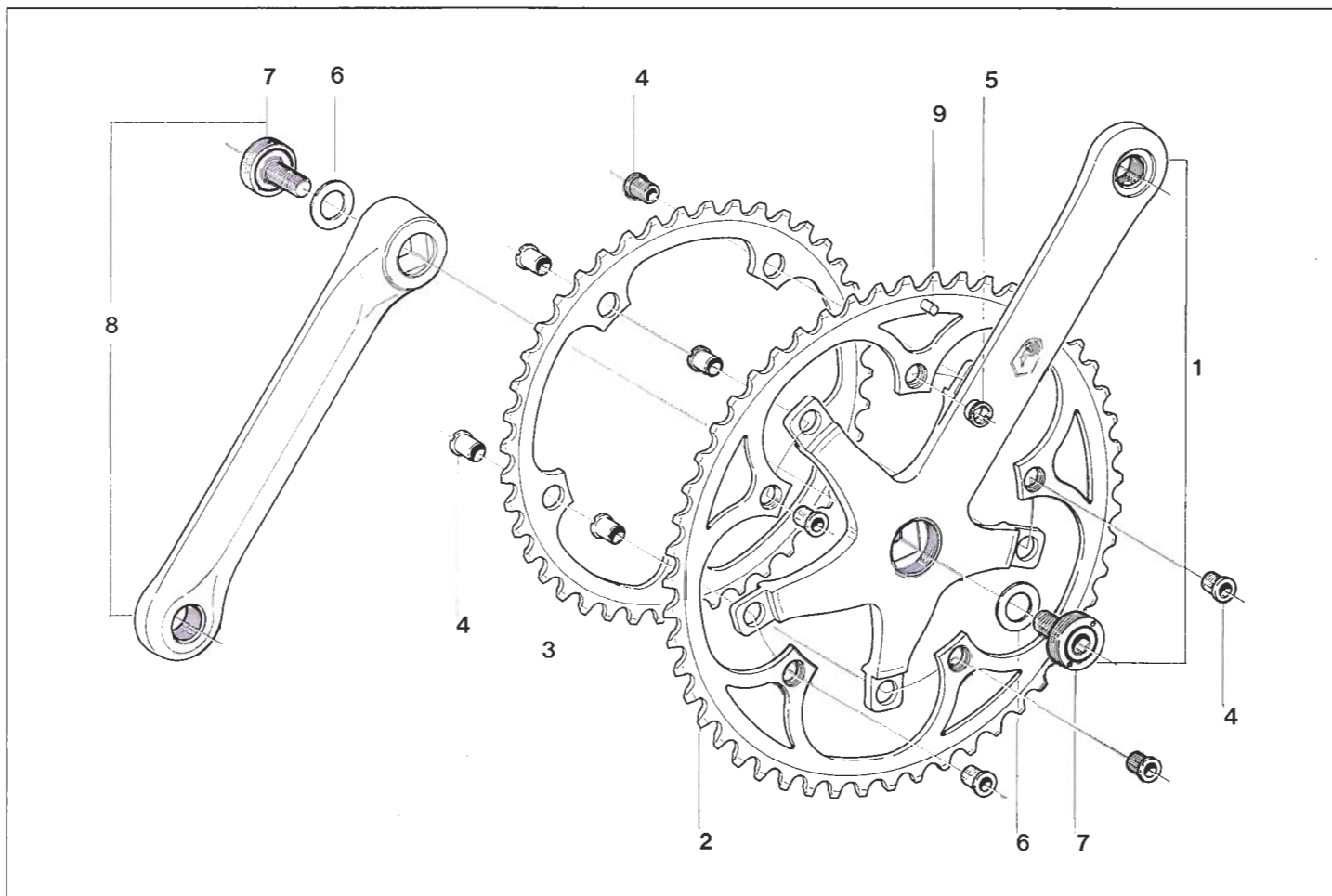


### A040 RECORD CHAINWHEEL

- 1 A071 R.H. crank, pitch circle diameter 135, with incorporated extractor
- 2 AZ00 Outer ring, pitch circle diameter 135, with grub
- 3 AZ00I Inner ring, pitch circle diameter 135
- 4 0100009 Rings fixing screw and nut
- 5 7161023 Rings fixing nut
- 6 7300116 Screw washer with extractor
- 7 2350001 Screw with incorporated extractor
- 8 A072 L.H. crank, with incorporated extractor
- 9 7287005 Chain guard grub for ring from 48 to 54 t.

CODE	CRANK LENGTH						
	165	167,5	170	172,5	175	177,5	180
A071	●	●	●	●	●	●	●
A072	●	●	●	●	●	●	●

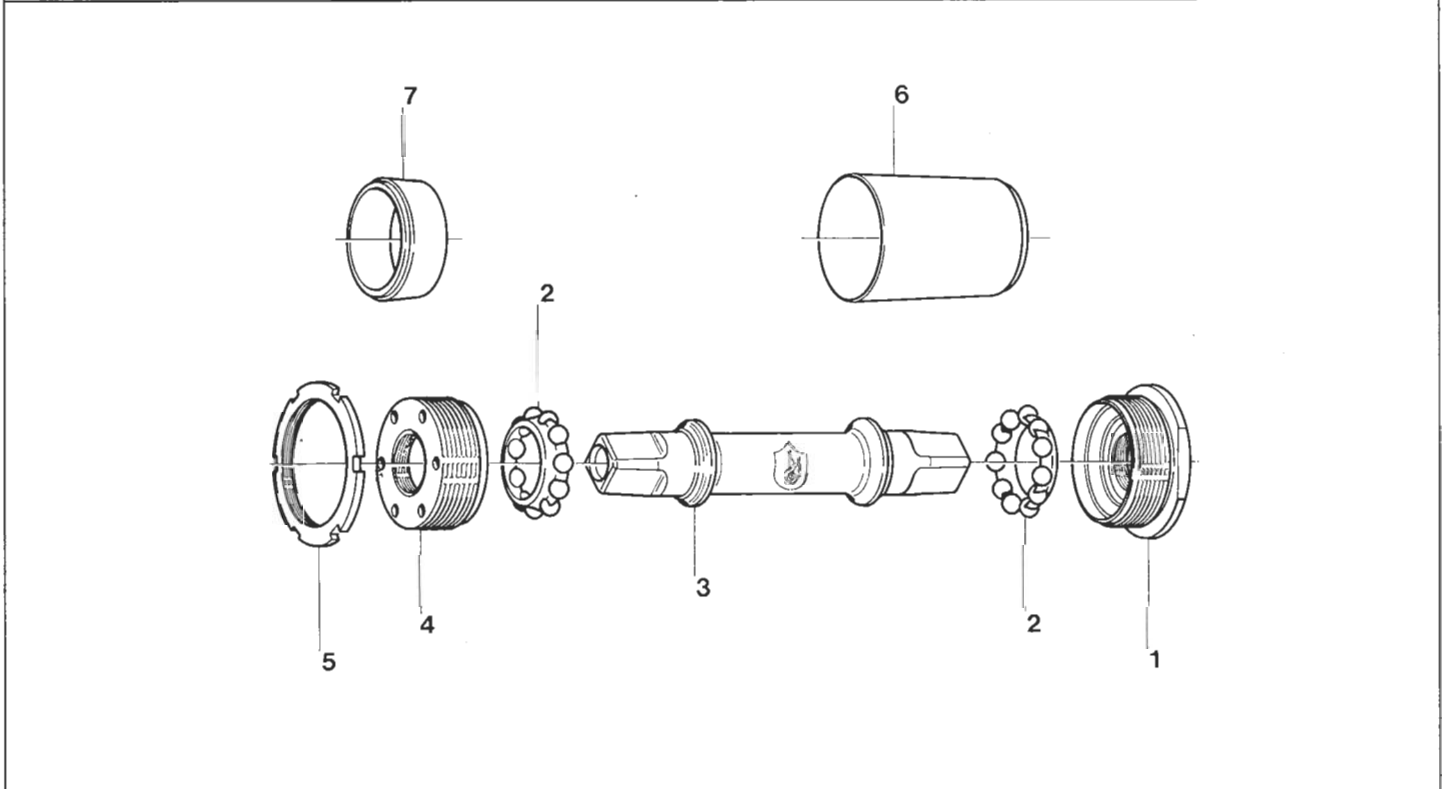
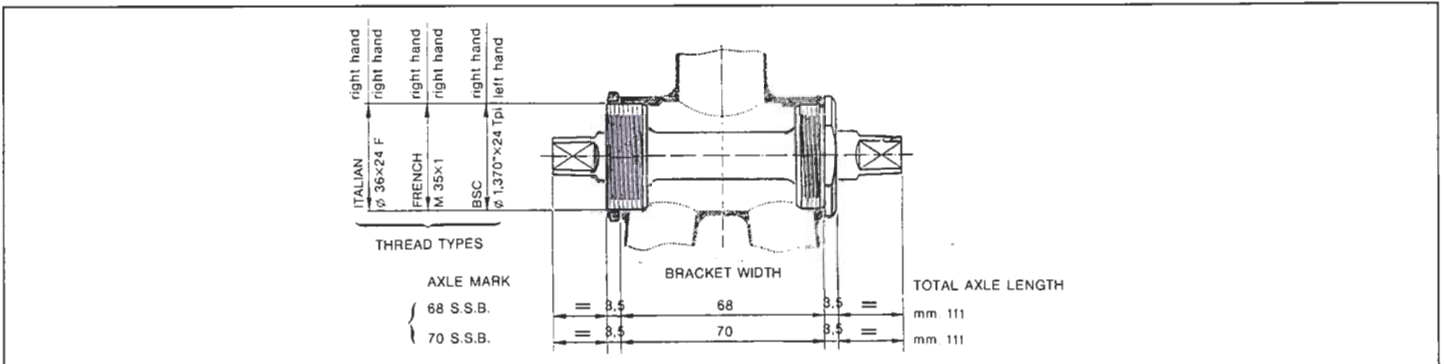
CODE	DESCR.	P.C.D.	RINGS TOOTHING																			
			39	40	41	42	43	44	45	46	47	48	49	50	51	52	53	54	55	56	57	
AZ00I	INNER	135	●	●	●	●	●	●	●	●	●											
AZ00	OUTER	135										●	●	●	●	●	●	●	●	●	●	●





### A0H0 RECORD BOTTOM BRACKET

- 1 1131050 R.H. fixed aluminium cup, balls  $\phi$  7/32", Italian thread
- 1 1131051 R.H. fixed aluminium cup, balls  $\phi$  7/32", French thread
- 1 1131052 R.H. fixed aluminium cup, balls  $\phi$  7/32", BSC thread
- 2 1134019 Balls set  $\phi$  7/32" (14 balls) with resin cage
- 3 7281277 70 SP axle, balls  $\phi$  7/32"
- 3 7281278 68 SP axle, balls  $\phi$  7/32"
- 4 1131053 L.H. adjustable aluminium cup, balls  $\phi$  7/32", Italian thread
- 4 1131054 L.H. adjustable aluminium cup, balls  $\phi$  7/32", French thread
- 4 1131055 L.H. adjustable aluminium cup, balls  $\phi$  7/32", BSC thread
- 5 7203001 L.H. cup lockring - Italian thread
- 5 7203002 L.H. cup lockring - French thread
- 5 7203003 L.H. cup lockring - BSC thread
- 6 7201012 Sleeve
- 7 7100009 Sleeve conical ring

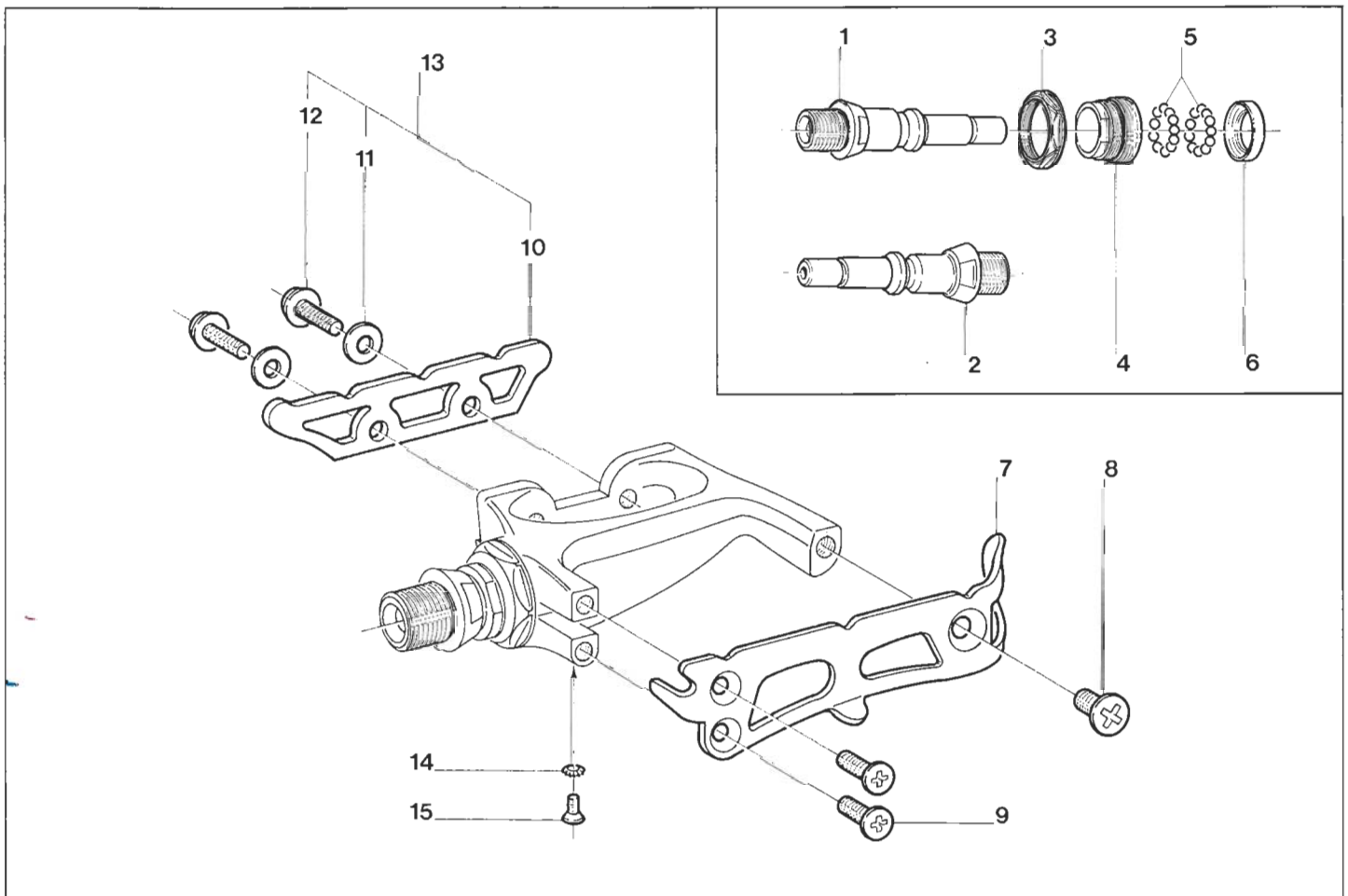




**A625-LM RECORD «TRIPLE BEARING SYSTEM» R.H. PEDAL**  
**A626-LM RECORD «TRIPLE BEARING SYSTEM» L.H. PEDAL**

- 1 7281251 R.H. axle
- 2 7281253 L.H. axle
- 3 7161186 Locknut
- 4 7131102 Movable cup
- 5 1321011 Balls set  $\varnothing$  1/8" (28 + 28)
- 6 7131101 Fixed cup
- 7 7283068 R.H. pedal rear plate
- 8 7283069 L.H. pedal rear plate
- 8 7350251 Rear plate outer fixing screw
- 9 7350148 Rear plate inner fixing screw
- 10 7283087 Front plate
- 11 7300002 Washer
- 12 7350237 Toe-clip fixing screw
- 13 1134034 Envelope with plate, screws and washers
- 14 7304007 Greasing hole elastic washer
- 15 7350247 Greasing hole closing screw

Remark: The pedals are supplied complete with toe-clip and strap



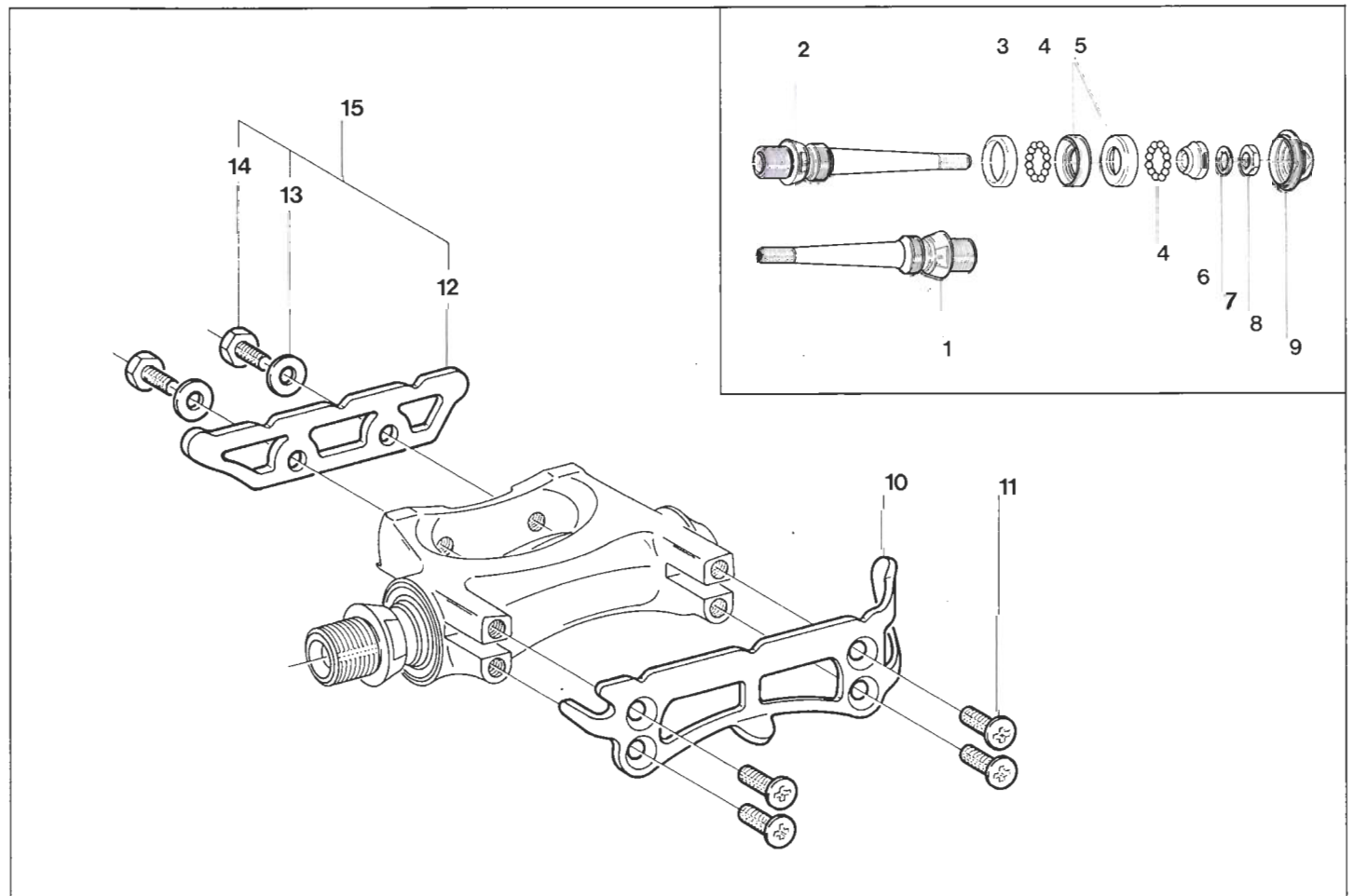




**A631-LM RECORD ERGONOMIC R.H. PEDAL**  
**A632-LM RECORD ERGONOMIC L.H. PEDAL**

- 1 7281002 L.H. axle
- 2 7281001 R.H. axle
- 3 7146001 Dust cover
- 4 1321008 Balls set  $\varnothing$  5/32" (24 + 24)
- 5 7131001 Cup
- 6 7133002 Cone
- 7 7300001 Toothed washer
- 8 7161001 Locknut
- 9 7136031 Cover
- 10 7283059 R.H. pedal rear plate
- 10 7283060 L.H. pedal rear plate
- 11 7350148 Rear plate inner fixing screw
- 12 7283058 Front plate
- 13 7300002 Washer
- 14 7350237 Toe-clip fixing screw
- 15 1134021 Toe-clip plate, washers and fixing screws set

Remark: The pedals are supplied complete with toe-clip and straps

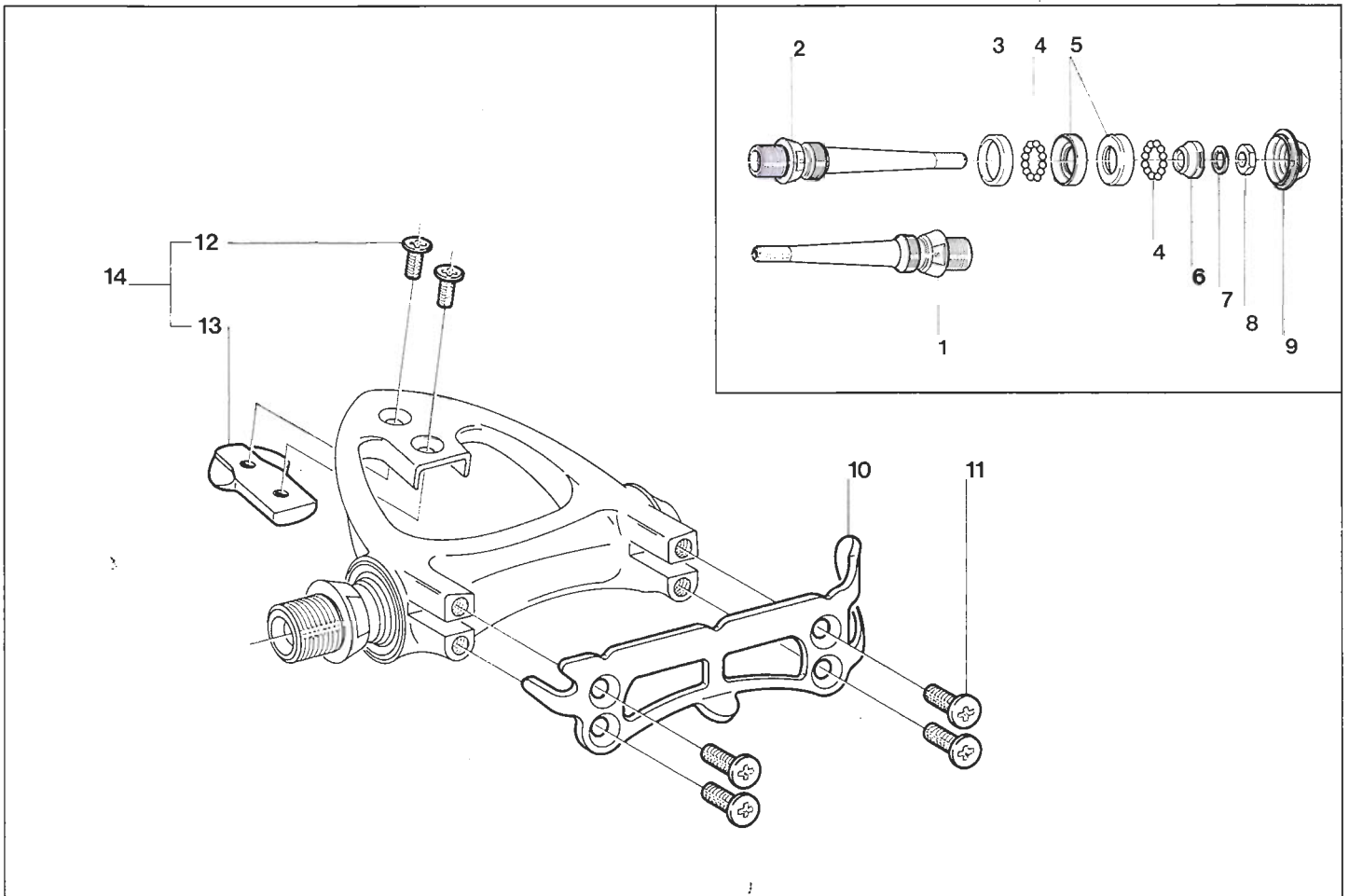




**A601-AM RECORD R.H. PEDAL**  
**A602-AM RECORD L.H. PEDAL**

- 1 7281002 L.H. axle
- 2 7281001 R.H. axle
- 3 7146001 Dust cover
- 4 1321008 Balls set  $\varnothing$  5/32" (24 + 24)
- 5 7131001 Cup
- 6 7133002 Cone
- 7 7300001 Toothed washer
- 8 7161001 Locknut
- 9 7136031 Cover
- 10 7283059 R.H. pedal rear plate
- 10 7283060 L.H. pedal rear plate
- 11 7350148 Rear plate inner fixing screw
- 12 7350149 Toe-clip fixing screw
- 13 7283043 Toe-clip fixing plate
- 14 1134020 Toe-clip plate and fixing screws set

Remark: The pedals are supplied complete with toe-clip and strap



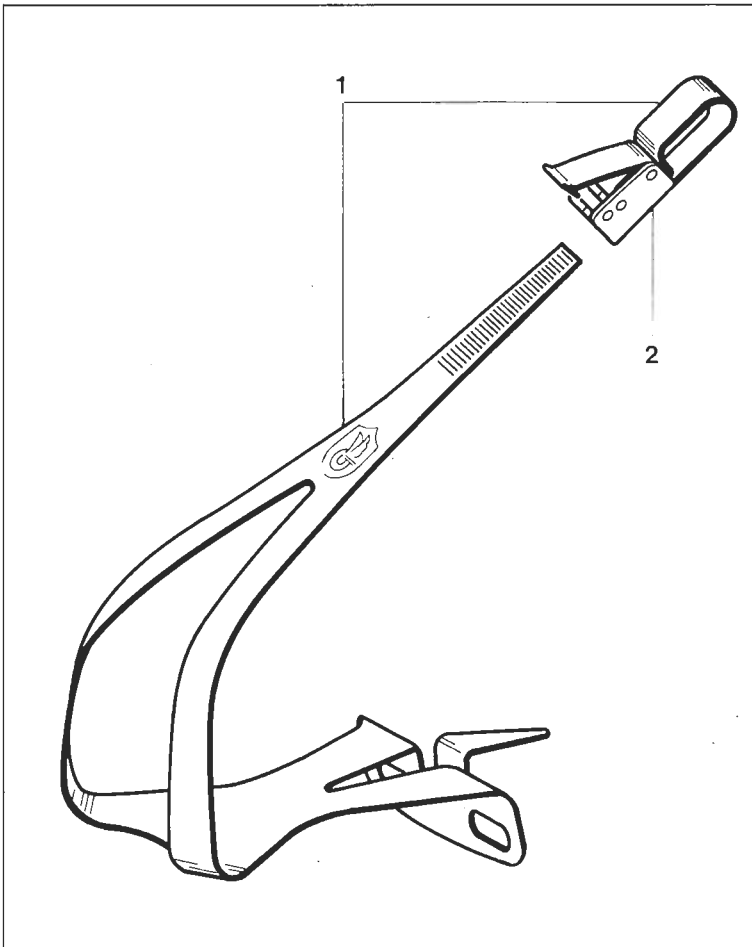
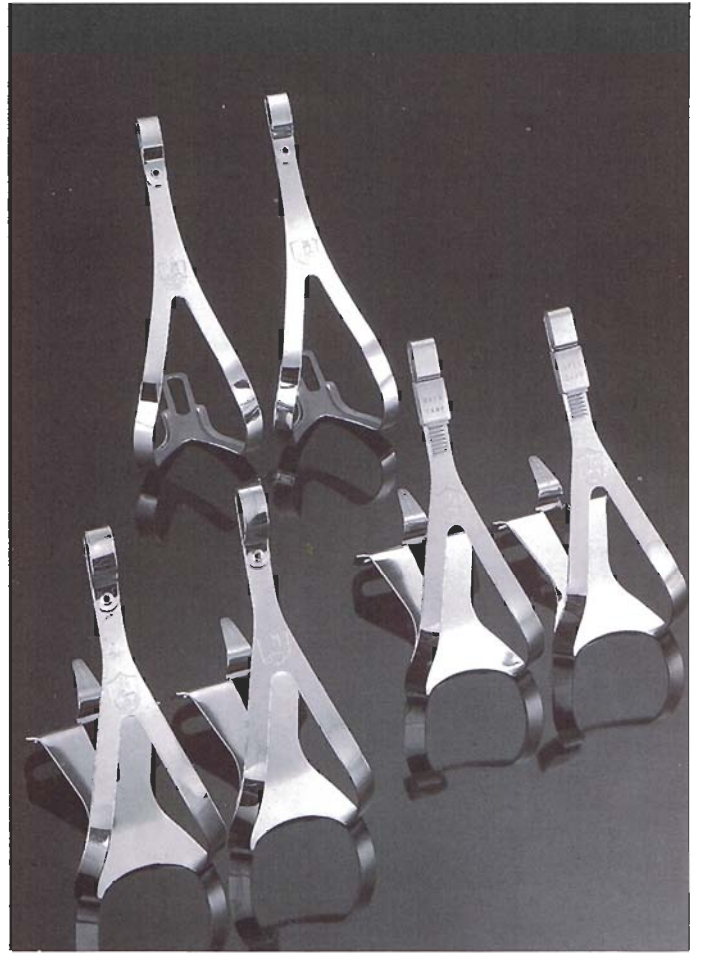


### Toe-clips

- 0F22-A Steel toe-clip: small (S) - medium (M) - large (L)
- 0F23-L Aluminium toe-clip, with shoe plate:  
small (S) - medium (M) - large (L)
- 0F23-A Steel toe-clip, with shoe plate:  
small (S) - medium (M) - large (L)
- 1 0F20-A «Multi-Size System» steel toe-clip:  
small (S) - medium (M) - large (L)
- 2 2183007 «Multi-Size System» toe-clip adjusting buckle

### Straps

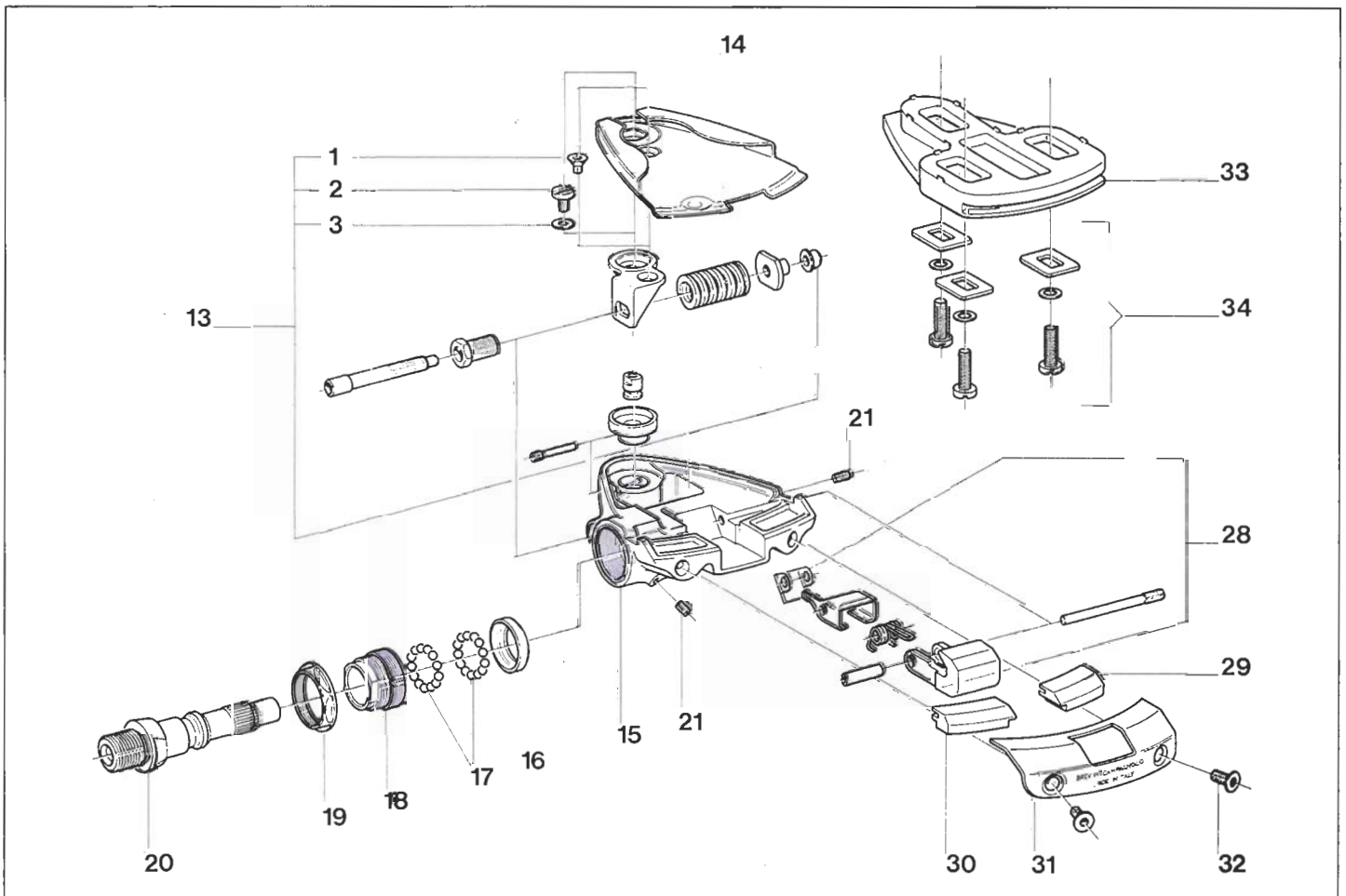
- 1153007 Shaped double layer leather strap





**A063 SGR «TRIPLE-BEARING SYSTEM» R.H. PEDAL**  
**A064 SGR «TRIPLE-BEARING SYSTEM» L.H. PEDAL**

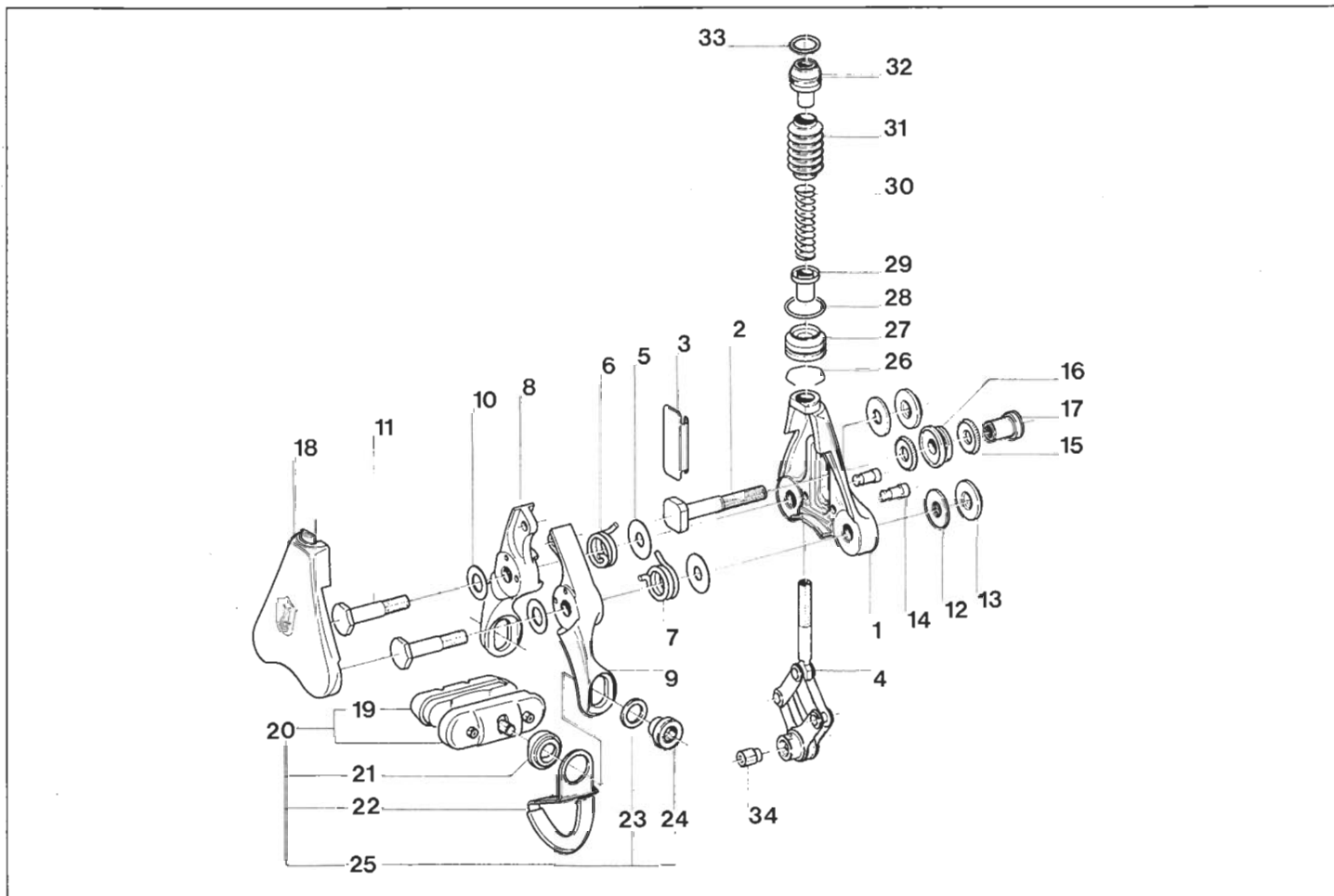
- 1 7350246 Bracket screw
- 2 7350243 Plate fixing screw
- 3 7300202 Washer
- 13 1100002 Front r.h. pedal set
- 13 1100003 Front l.h. pedal set
- 14 7283072 Fixing shoe r.h. plate
- 14 7283073 Fixing shoe l.h. plate
- 15 1143088 R.h. pedal body complete with fixed cup ball-bearing
- 15 1143089 L.h. pedal body complete with fixed cup ball-bearing
- 16 7131101 Fixed cup
- 17 1321011 Balls set  $\varnothing$  1/8" (28 + 28)
- 18 7131102 Movable cup
- 19 7161186 Locknut
- 20 7281266 R.H. pedal axle, Italian thread
- 20 7281267 L.H. pedal axle, Italian thread
- 21 7200021 Dowel
- 28 1100004 Rear r.h. pedal set
- 28 1100005 Rear l.h. pedal set
- 29 7233076 Guide plate r.h. insert
- 30 7283077 Guide plate l.h. insert
- 31 7283075 Insert stop plate
- 32 7350245 Plate fixing screw
- 33 7283074 Shoe plate
- 34 1134033 Fixing plate screws and washers set





**A051D RECORD DELTA FRONT BRAKE**  
**A052D RECORD DELTA REAR BRAKE**

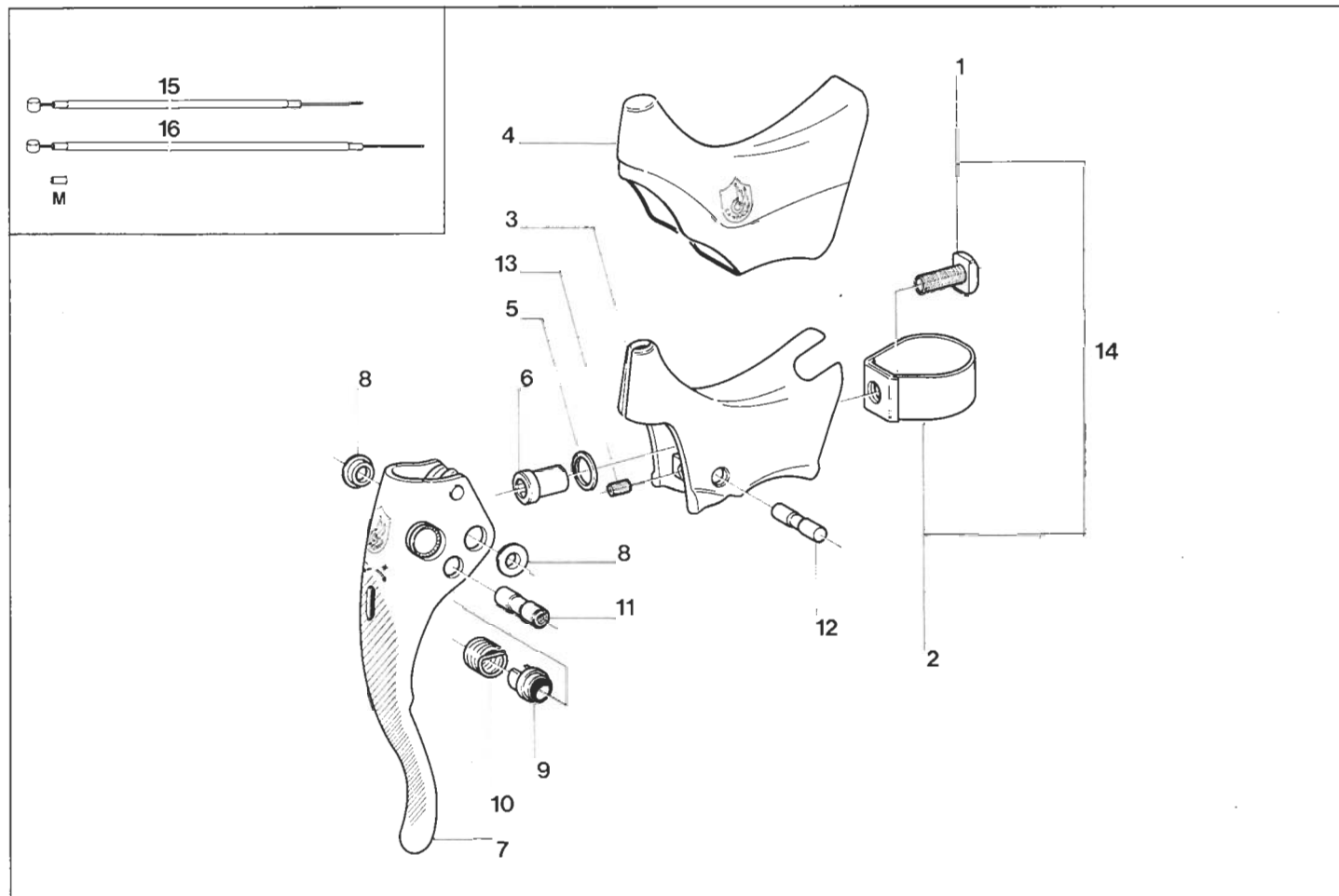
- 1 7143693 Body
- 2 7350168 Front brake pivot screw
- 2 7350169 Rear brake pivot screw
- 3 7283055 Dust cover plate
- 4 1284013 Complete parallelogram
- 5 7300005 Inner sliding washer
- 6 7260079 R.H. brake shoe lever return spring
- 7 7260080 L.H. brake shoe lever return spring
- 8 7241047 R.H. brake shoe lever
- 9 7241048 L.H. brake shoe lever
- 10 7300143 Fixing levers screw washer
- 11 7350170 Fixing levers screw
- 12 7300194 Knurled washer
- 13 7161138 Fixing levers locknut
- 14 7281218 Spring brake axle
- 15 7300010 Front and rear brake toothed washer
- 16 7160072 Spacer
- 17 7161105 Allen recessed nut
- 18 7136038 Body cover
- 19 7289008 Brake block
- 20 2290012 Complete brake shoe with block, without guidewheel
- 21 7300142 Brake shoe concave washer
- 22 3210001 Guidewheel with covering
- 23 7300141 Brake shoe fixing nut washer
- 24 7161121 Brake shoe fixing nut
- 25 1290012 Complete brake shoe
- 26 7100045 Sleeve seal ring
- 27 7203048 Cover locking sleeve
- 28 7100046 Jointing ring
- 29 7116081 Fixing cover bush
- 30 7260091 Upper spring
- 31 7201042 Bellow
- 32 1203004 Adjusting sleeve with bush
- 33 7100050 Adjusting sleeve jointing ring
- 34 2200001 Cable clamp dowel





### A054 «POWER-GRADE SYSTEM» BRAKE LEVER

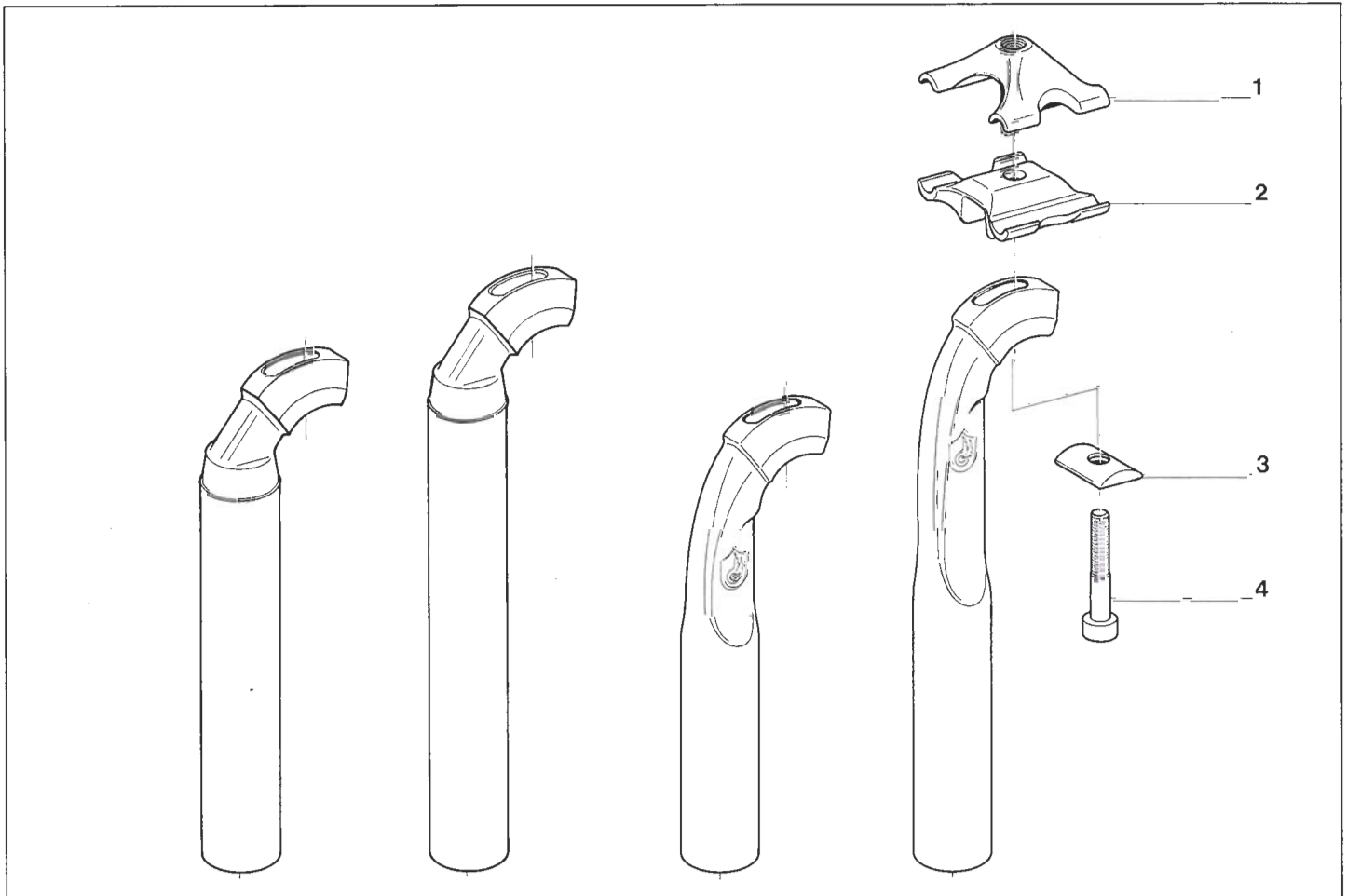
- 1 7350221 Fixing screw
- 2 7182031 Fixing clip
- 3 7143761 Body
- 4 7201041 Hood
- 5 7300177 Washer
- 6 7161105 Allen recessed nut
- 7 1241030 Lever
- 7 1241035 Compact lever
- 8 7116083 Bush
- 9 7116082 Quick release lever bush
- 10 7260092 Quick release lever spring
- 11 7281220 Quick release lever axle
- 12 7281221 Pivot pin
- 13 7200016 Stop dowel
- 14 1182025 Fixing screw and clip set
- 15 0120059 Front brake cable and casing
- 16 0120060 Rear brake cable and casing
- M 7140004 Casing end





A0R1 RECORD STYLED SEAT PIN 180 mm.  
A0R1-S RECORD STYLED SEAT PIN 130 mm.  
A0R7 RECORD CYLINDRICAL SEAT PIN 180 mm.  
A0R7-S RECORD CYLINDRICAL SEAT PIN 130 mm.

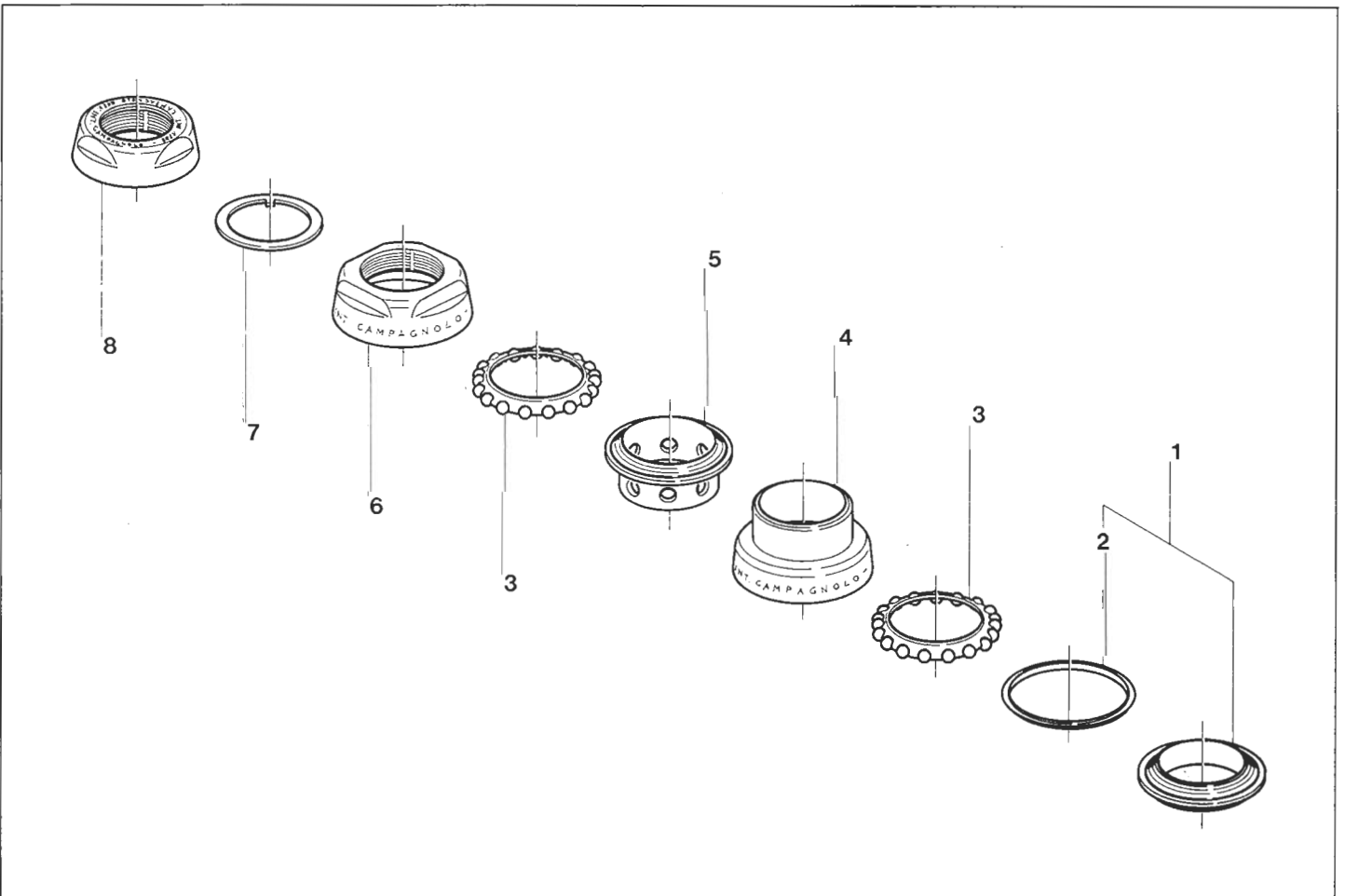
- 1 1320001 Bracket
- 2 7316009 Sliding support
- 3 7300129 Convex washer
- 4 7350162 Fixing screw





### A0D0 RECORD HEAD SET

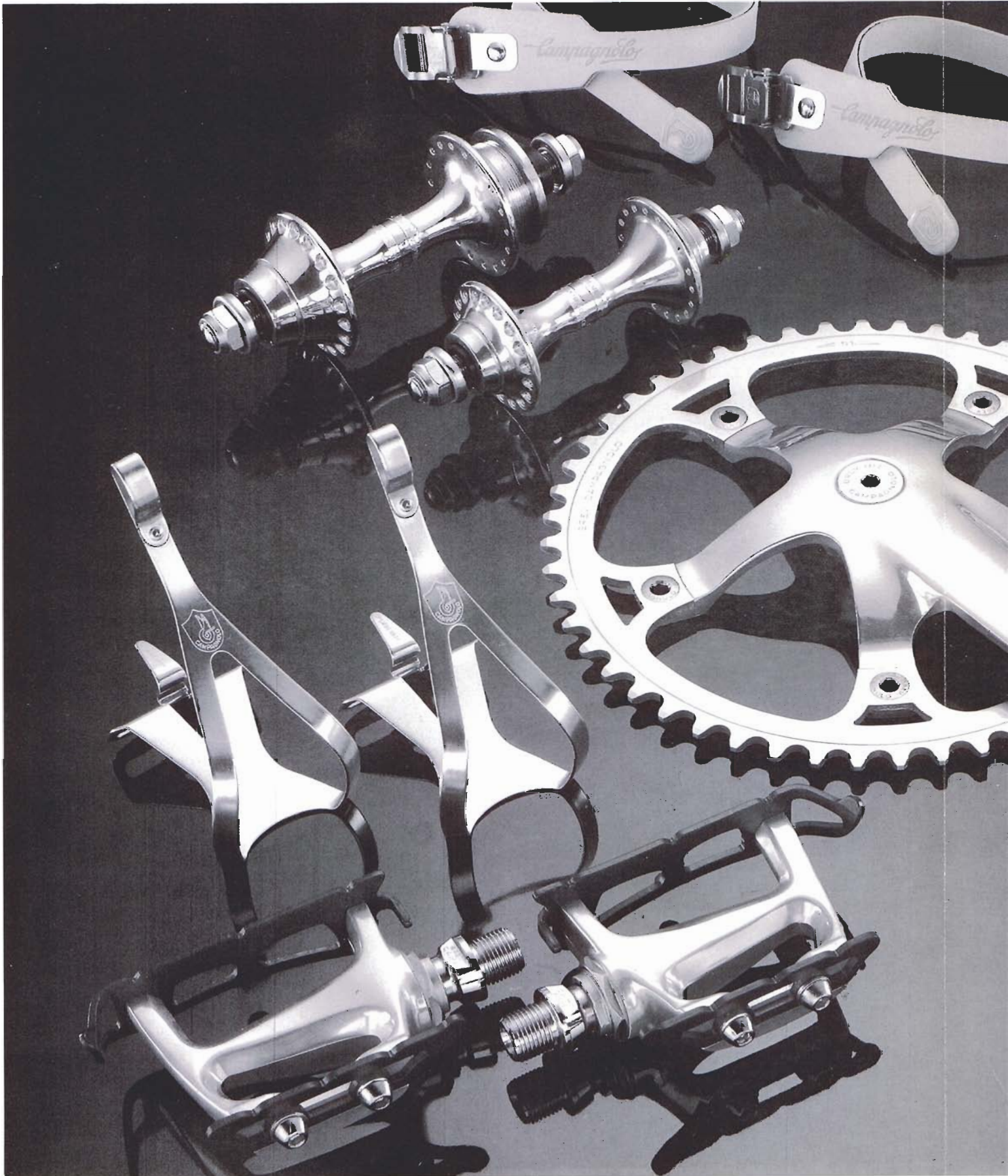
- |   |         |   |
|---|---------|---|
| 1 | 1133001 | Lower cone with jointing                      |
| 2 | 7211007 | Jointing                                      |
| 3 | 1134018 | Balls set $\varnothing$ 3/16" with resin cage |
| 4 | 1131059 | Lower cup                                     |
| 5 | 7133081 | Upper cone                                    |
| 6 | 1131056 | Upper cup, Italian thread                     |
| 6 | 1131057 | Upper cup, French thread                      |
| 6 | 1131058 | Upper cup, BSC thread                         |
| 7 | 7300119 | Toothed washer, Italian/BSC thread            |
| 7 | 7300120 | Toothed washer, French thread                 |
| 8 | 7161133 | Locknut, Italian thread                       |
| 8 | 7161134 | Locknut, French thread                        |
| 8 | 7161135 | Locknut, BSC thread                           |













Basic Group		
CODE	COMPONENTS	VARIANTS
A300PFG	Record track large flange hubs, with solid spindle and nuts, 36 holes, front width 100, rear width 120, Italian thread mm. 35×24 F	Drillings: 24 - 28 - 32 Front width: 90 Rear width: 110 Thread: BSC 1,370"×24 F - FR M 34,7×1
A040P	Record track chainwheel, pitch circle diameter 144 - cranks 170 mm. - 48 t., thickness 3 mm., 1/2"×1/8"	Cranks length: 165 - 167,5 - 172,5 - 175 - 177,5 - 180 mm. Rings toothing: from 42 to 70 t., (1/2"×1/8") Thickness: 2 mm. (up to 56 t.), 1/2"×3/32"
A0H0P	Record track bottom bracket Italian thread mm. 36×24 F Width 70 mm.	Thread: BSC 1,370"×24 TPI - FR M 35×1 Width: 68 mm.
A620-LM	Record «Triple-Bearing System» pedals complete with medium (M) aluminium toe-clip and shaped double layer leather strap	Toe-clip length: small (S) - large (L) Steel toe-clip: small (S) - medium (M) - large (L) Steel «Multi-Size System» toe-clip: small (S) - medium (M) - large (L)
A0R2	Record styled seat pin 180 mm. $\phi$ 27,2 complete with fixing screw and nut $\phi$ 8	Length: 180 mm. (code A0R2) $\phi$ : 25 - 26,2 - 26,4 - 26,6 - 26,8 - 27 Length: 130 mm. (code A0R2-S) $\phi$ : 25 - 26,2 - 26,4 - 26,6 - 26,8 - 27 - 27,2
A0D0P	Record track aluminium head set, Italian thread mm. 25,4×24 F	Thread: BSC 1"×24 TPI - FR M 25×1



Substitutive components		
CODE	COMPONENTS	VARIANTS
A300P	Record track small flange hubs with solid spindle and nuts, 36 holes, front width 100, rear width 120, Italian thread mm. 35×24 F	Drillings: 24 - 28 - 32 Front width: 90 Rear width: 110 Thread: BSC 1,370"×24 F - FR M 34,7×1
A630-LM	Record Ergonomic pedals complete with medium (M) aluminium toe-clip and shaped double layer leather strap	Toe-clip length: small (S) - large (L) Steel toe-clip: small (S) - medium (M) - large (L) Steel «Multi-Size System» toe-clip: small (S) - medium (M) - large (L)
A0R8	Record cylindrical seat pin 180 mm. $\varnothing$ 27,2 complete with fixing screw and nut $\varnothing$ 8	Length: 180 mm. (code A0R8) $\varnothing$ : 25 - 26,2 - 26,4 - 26,6 - 26,8 - 27 Length: 130 mm. (code A0R8-S) $\varnothing$ : 25 - 26,2 - 26,4 - 26,6 - 26,8 - 27 - 27,2

the basic version will be supplied.

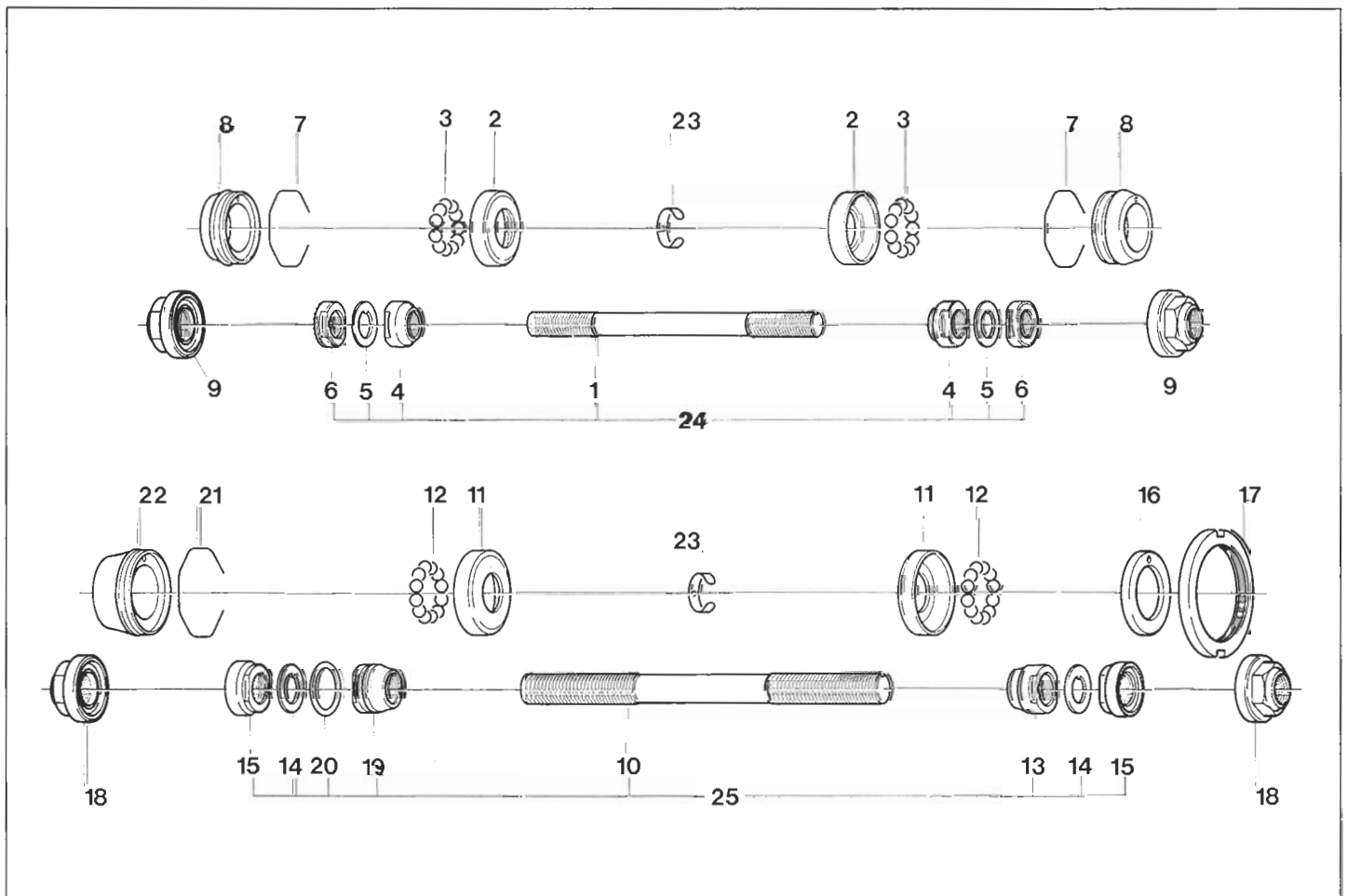
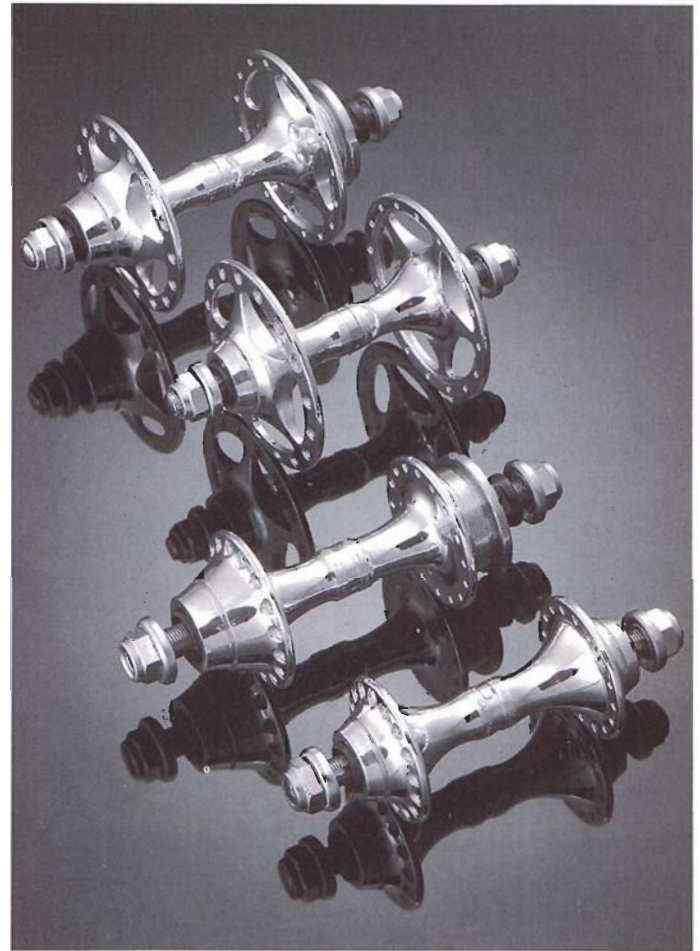


**A031P RECORD TRACK SMALL FLANGE FRONT HUB**  
**A031PFG RECORD TRACK LARGE FLANGE FRONT HUB**

- 1 7281028 Solid axle
- 2 7131071 Cup
- 3 1321006 Balls set  $\varnothing$  7/32" (9+9)
- 4 7133076 Cone
- 5 7300026 Toothed washer by 1 mm.
- 5 7300027 Toothed washer by 1,5 mm.
- 5 7300028 Toothed washer by 2 mm.
- 6 7161170 Locknut
- 7 7100033 Dust cover circlip
- 8 7146011 Dust cover
- 9 2161001 Fixing nut
- 23 7182028 Oiler hole central clip
- 24 1281050 Complete axle

**A032P RECORD TRACK SMALL FLANGE REAR HUB**  
**A032PFG RECORD TRACK LARGE FLANGE REAR HUB**

- 10 7281029 Solid axle, width 110
- 10 7281030 Solid axle, width 120
- 11 7131072 Cup
- 12 1321005 Balls set  $\varnothing$  1/4" (9+9)
- 13 7133053 R.H. cone
- 14 7300040 Toothed washer by 1 mm.
- 14 7300041 Toothed washer by 1,5 mm.
- 14 7300042 Toothed washer by 2 mm.
- 15 7161172 Locknut by 6,5 mm.
- 16 7146015 R.H. dust cover
- 17 7203011 Lockring
- 18 2161003 Fixing nut
- 19 7133080 L.H. cone
- 20 7100046 Jointing ring
- 21 7100034 Dust cover circlip
- 22 7146026 L.H. dust cover
- 23 7182028 Oiler hole central clip
- 25 1281051 Complete axle, width 110
- 25 1281052 Complete axle, width 120



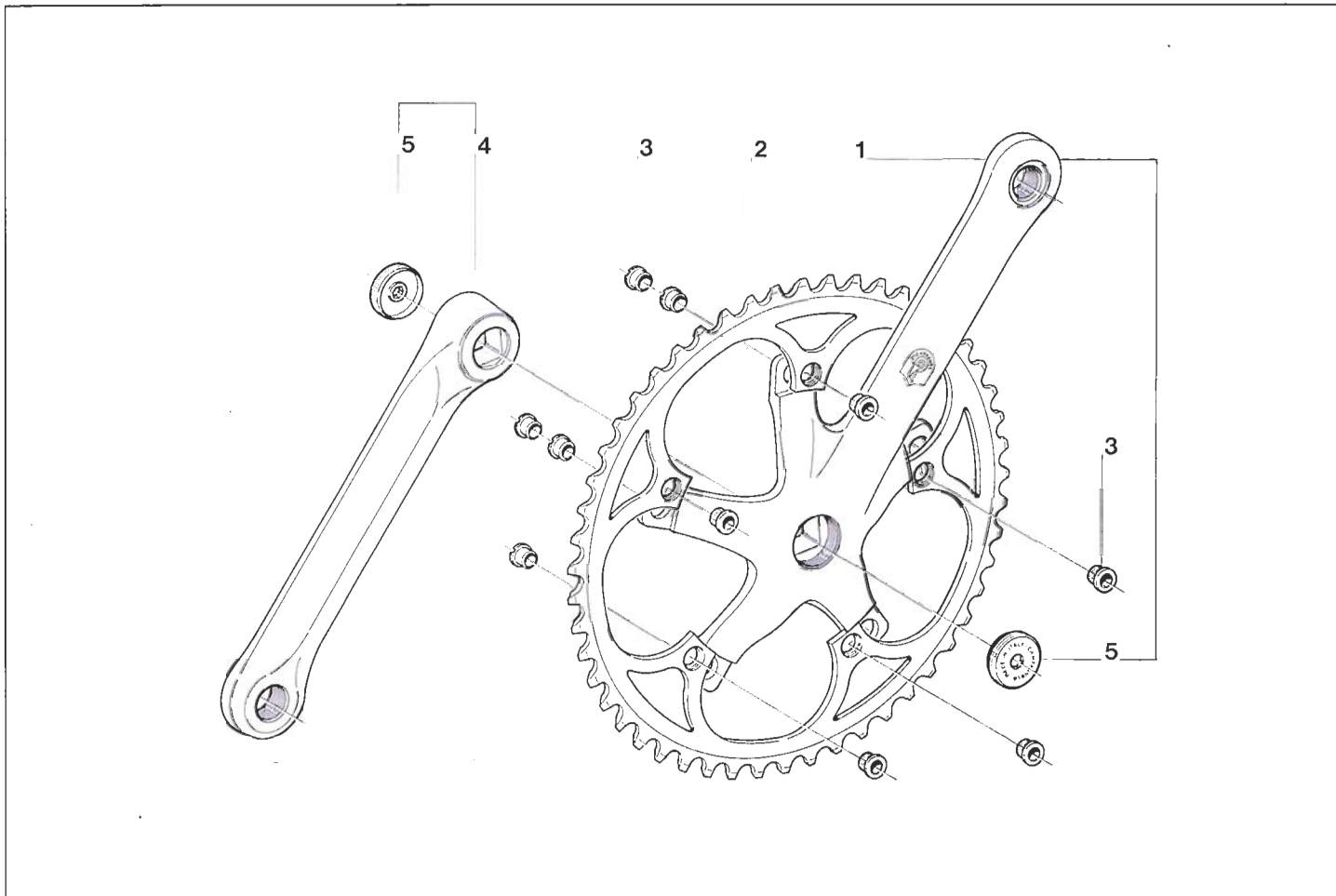


### A040P RECORD TRACK CHAINWHEEL

- 1 A071P R.H. crank, pitch circle diameter 144
- 2 SZ00P2 Ring, 1/2" x 3/32" (2 mm.), pitch circle diameter 144
- 2 SZ00P Ring, 1/2" x 1/8" (3 mm.), pitch circle diameter 144
- 3 0100010 Rings fixing screw and nut
- 4 A072P L.H. crank
- 5 7136041 Crank plate cover

CODE	CRANKS LENGTH						
	165	167,5	170	172,5	175	177,5	180
A071P	●	●	●	●	●	●	●
A072P	●	●	●	●	●	●	●

CODE	TEETH THICKNESS	P.C.D.	RINGS TOOTHING
SZ00P2	2 mm.	144	from 42 to 56
SZ00P	3 mm.	144	from 42 to 70

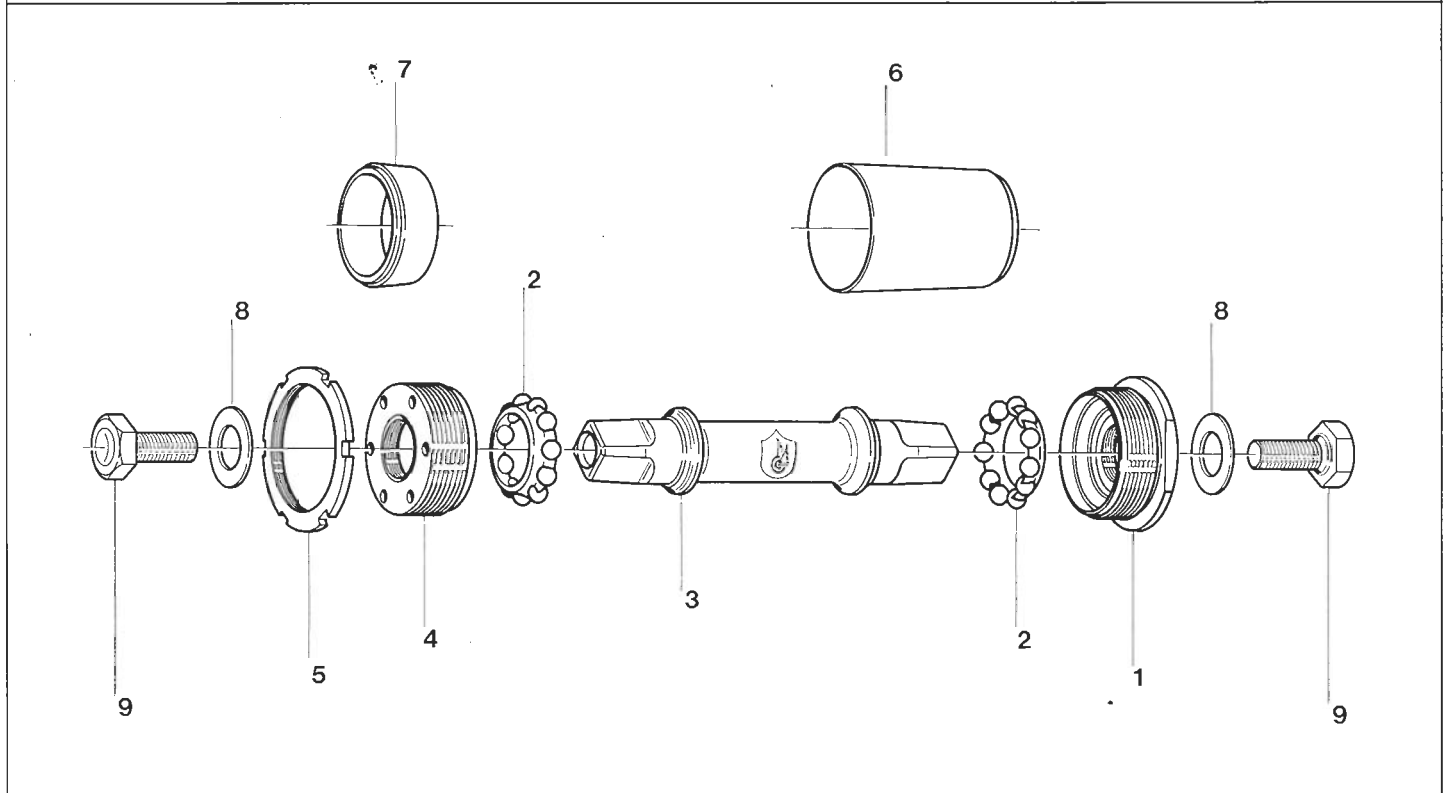
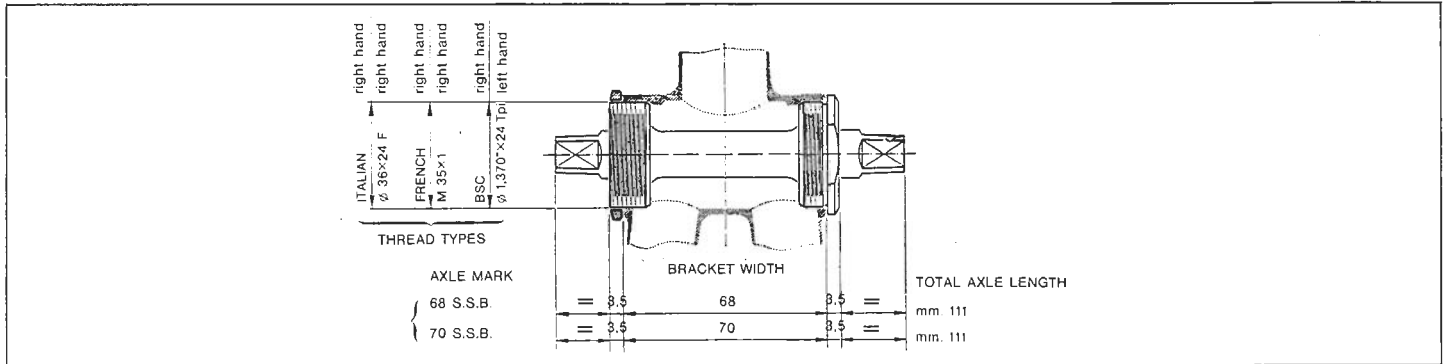






### A0H0P RECORD TRACK BOTTOM BRACKET

- 1 1131050 R.H. fixed aluminium cup, balls  $\phi$  7/32", Italian thread
- 1 1131051 R.H. fixed aluminium cup, balls  $\phi$  7/32", French thread
- 1 1131052 R.H. fixed aluminium cup, balls  $\phi$  7/32", BSC thread
- 2 1134019 Balls set  $\phi$  7/32" with resin cage (14 balls)
- 3 7281277 70 SP axle, balls  $\phi$  7/32"
- 3 7281278 68 SP axle, balls  $\phi$  7/32"
- 4 1131053 L.H. adjustable aluminium cup, balls  $\phi$  7/32", Italian thread
- 4 1131054 L.H. adjustable aluminium cup, balls  $\phi$  7/32", French thread
- 4 1131055 L.H. adjustable aluminium cup, balls  $\phi$  7/32", BSC thread
- 5 7203001 L.H. cup lockring - Italian thread
- 5 7203002 L.H. cup lockring - French thread
- 5 7203003 L.H. cup lockring - BSC thread
- 6 7201012 Sleeve
- 7 7100009 Sleeve conical ring
- 8 7300025 Crank fixing screw washer
- 9 7350025 Crank fixing screw





**A625-LM RECORD «TRIPLE-BEARING SYSTEM»**

**R.H. PEDAL**

**A626-LM RECORD «TRIPLE-BEARING SYSTEM»**

**L.H. PEDAL**

- 1 7281251 R.H. axle
- 2 7281253 L.H. axle
- 3 7161186 Locknut
- 4 7131102 Movable cup
- 5 1321011 Balls set  $\varnothing$  1/8" (28 + 28)
- 6 7131101 Fixed cup
- 7 7283068 R.H. pedal rear plate
- 7 7283069 L.H. pedal rear plate
- 8 7350251 Rear plate outer fixing screw
- 9 7350148 Rear plate inner fixing screw
- 10 7283087 Front plate
- 11 7300002 Washer
- 12 7350237 Toe-clip fixing screw
- 13 1134034 Envelope with plate, screws and washers
- 14 7304007 Greasing hole elastic washer
- 15 7350247 Greasing hole closing screw

0F23-L Aluminium toe-clip, with shoe plate:

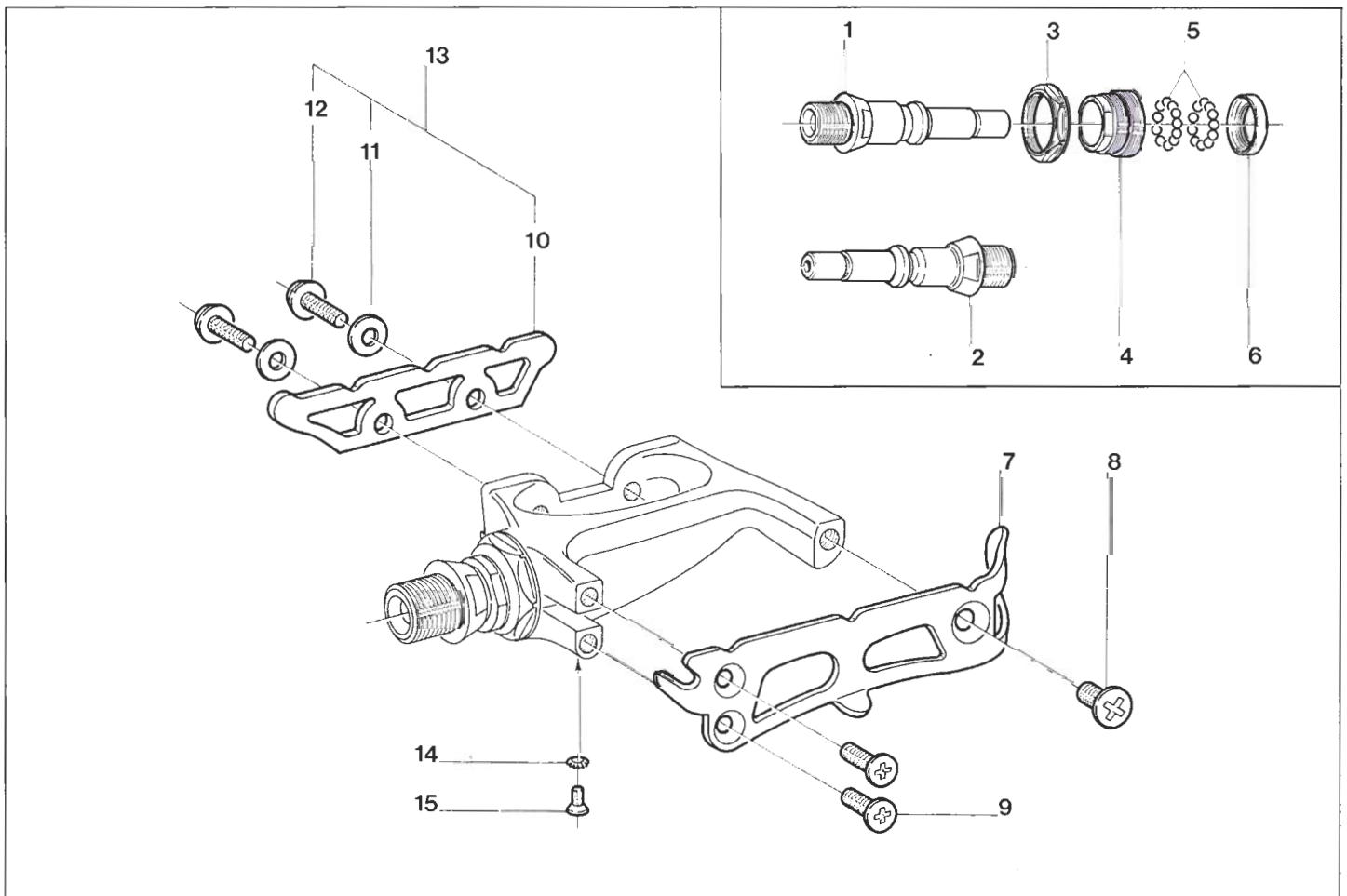
small (S) - medium (M) - large (L)

0F23-A Steel toe-clip, with shoe plate:

small (S) - medium (M) - large (L)

1153007 Shaped double layer leather strap

Remark: The pedals are supplied complete with toe-clip and strap

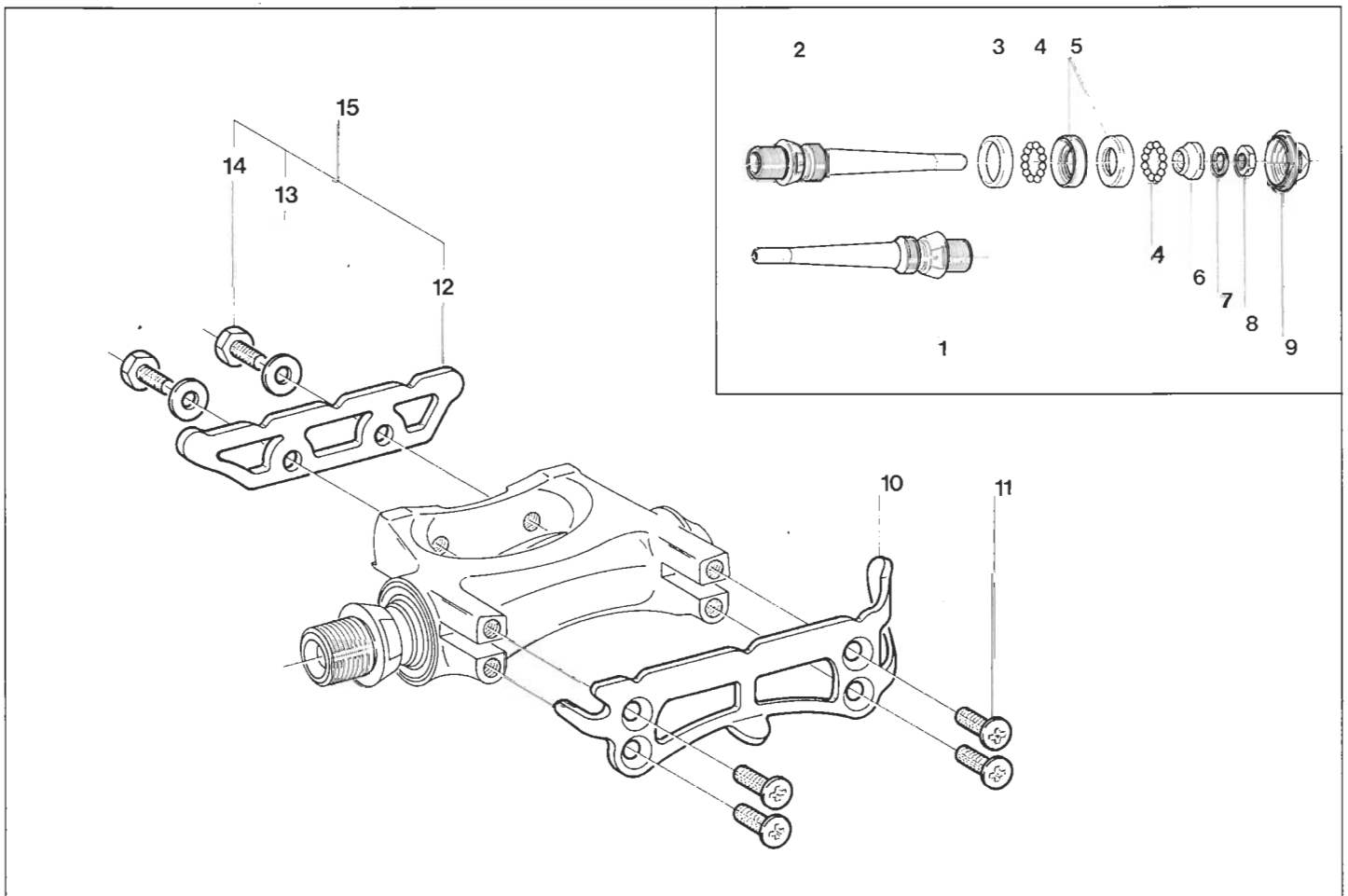
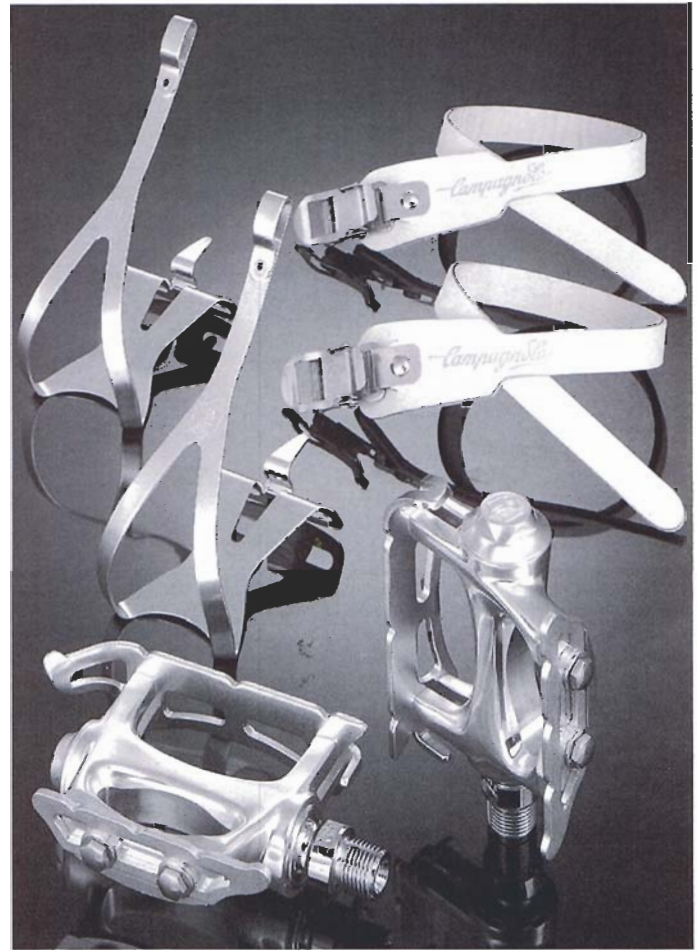




**A631-LM RECORD ERGONOMIC R.H. PEDAL**  
**A632-LM RECORD ERGONOMIC L.H. PEDAL**

- 1 7281002 L.H. axle
  - 2 7281001 R.H. axle
  - 3 7146001 Dust cover
  - 4 1321008 Balls set  $\varnothing$  5/32" (24 + 24)
  - 5 7131001 Cup
  - 6 7133002 Cone
  - 7 7300001 Toothed washer
  - 8 7161001 Locknut
  - 9 7136031 Cover
  - 10 7283059 R.H. pedal rear plate
  - 10 7283060 L.H. pedal rear plate
  - 11 7350148 Rear plate inner fixing screw
  - 12 7283058 Front plate
  - 13 7300002 Washer
  - 14 7350237 Toe-clip fixing screw
  - 15 1134021 Toe-clip plate, washers and fixing screws set
- 0F23-L Aluminium toe-clip, with shoe plate:  
small (S) - medium (M) - large (L)
- 0F23-A Steel toe-clip, with shoe plate:  
small (S) - medium (M) - large (L)
- 1153007 Shaped double layer leather strap

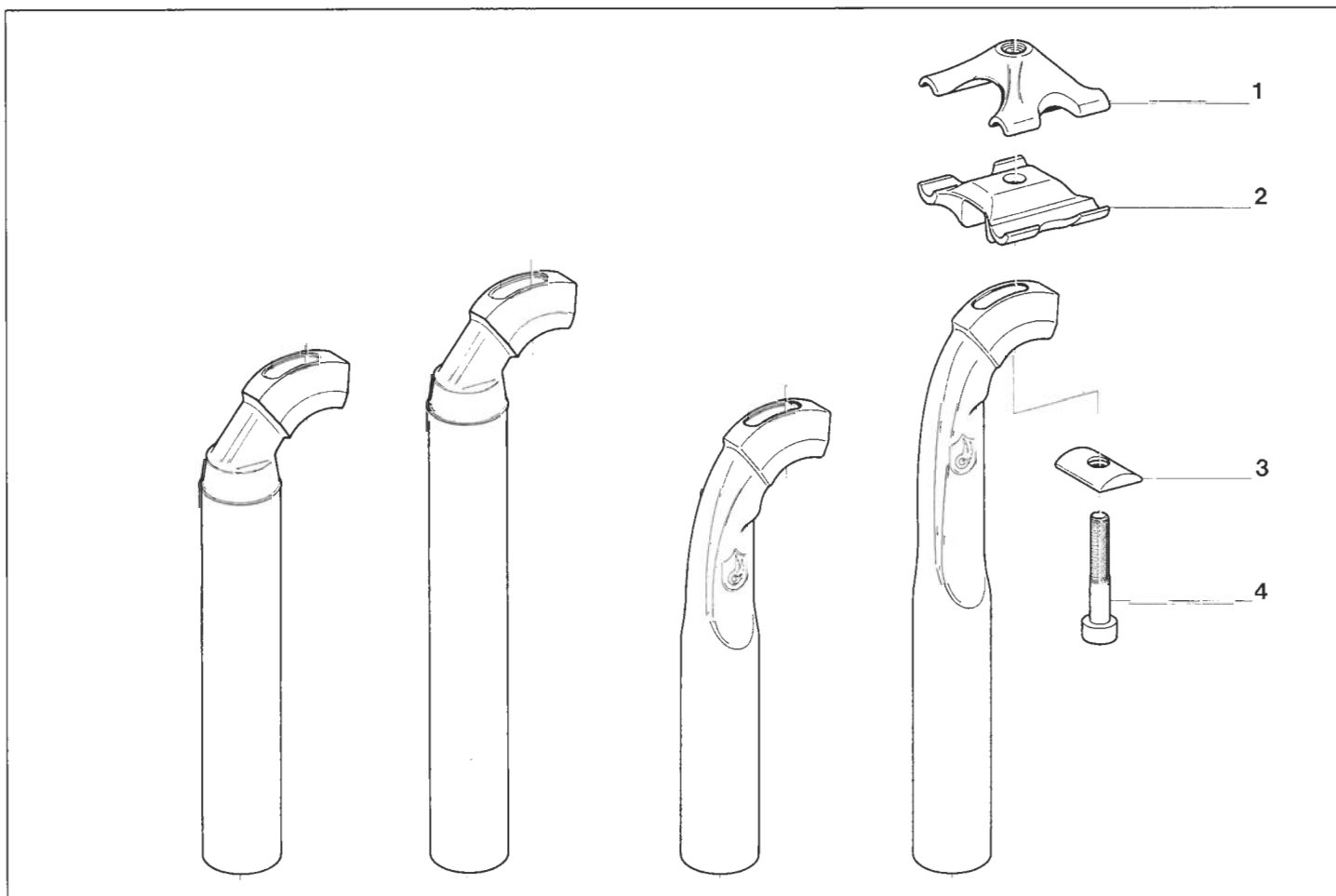
Remark: The pedals are supplied complete with toe-clip and strap





A0R1 RECORD STYLED SEAT PIN 180 mm.  
A0R1-S RECORD STYLED SEAT PIN 130 mm.  
A0R7 RECORD CYLINDRICAL SEAT PIN 180 mm.  
A0R7-S RECORD CYLINDRICAL SEAT PIN 130 mm.

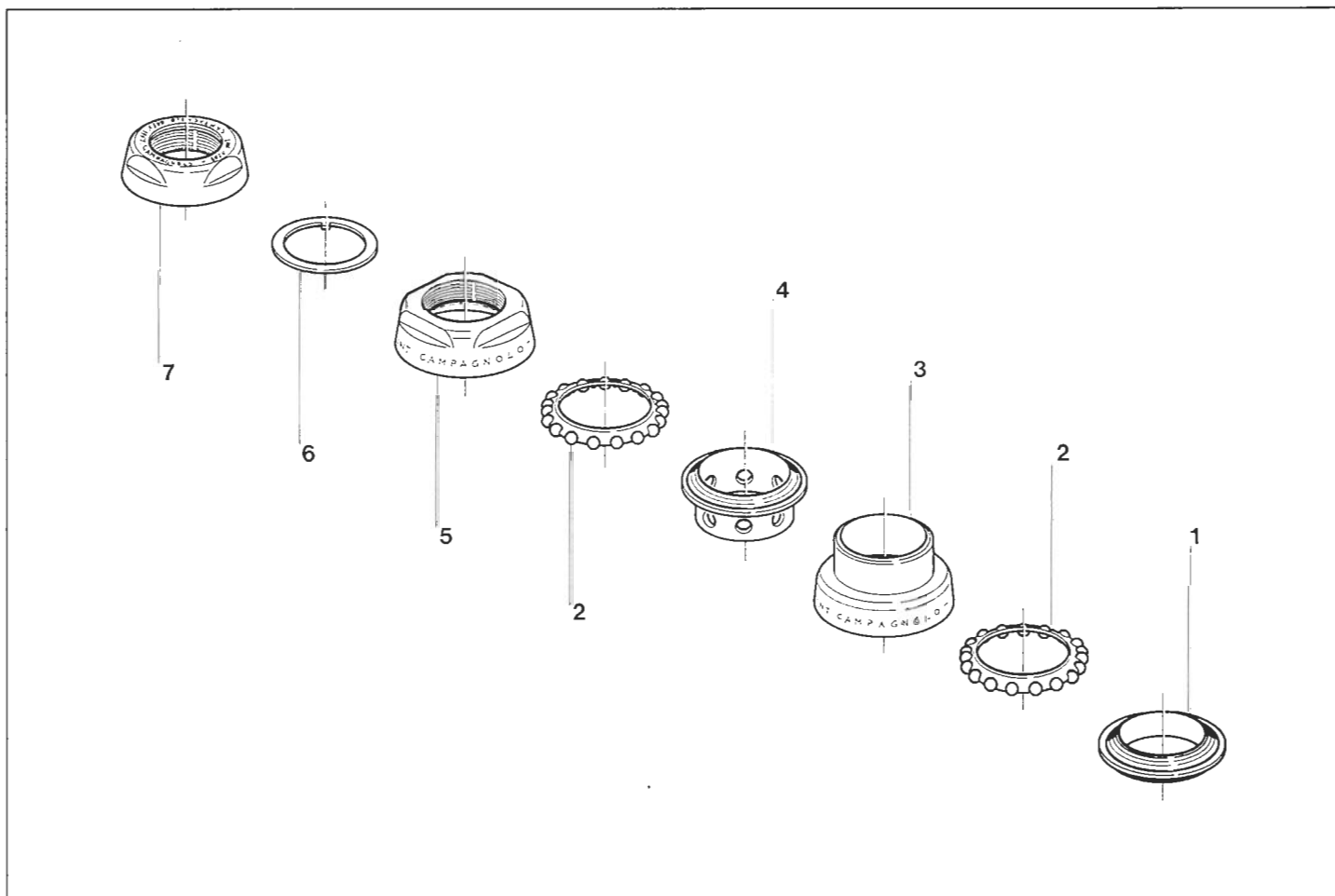
- 1 1320001 Bracket
- 2 7316009 Sliding support
- 3 7300129 Convex washer
- 4 7350162 Fixing screw

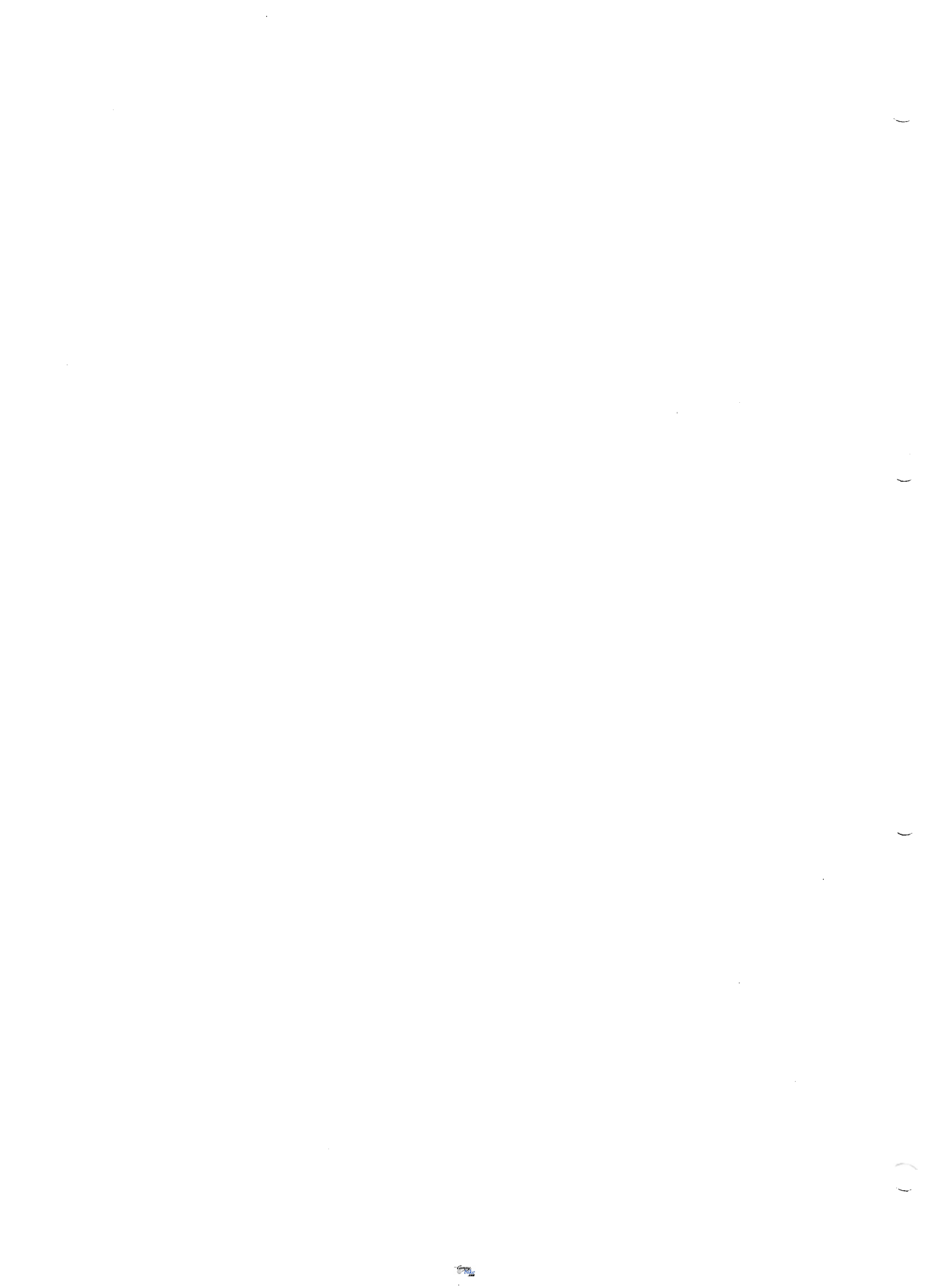




### A0D0P RECORD TRACK HEAD SET

- 1 7133075 Lower cone
- 2 1134014 Balls set  $\varnothing$  5/32"
- 3 1131045 Lower cup
- 4 7133045 Upper cone
- 5 1131035 Upper cup, Italian thread
- 5 1131036 Upper cup, French thread
- 5 1131037 Upper cup, BSC thread
- 6 7300119 Toothed washer, Italian/BSC thread
- 6 7300120 Toothed washer, French thread
- 7 7161133 Locknut, Italian thread
- 7 7161134 Locknut, French thread
- 7 7161135 Locknut, BSC thread

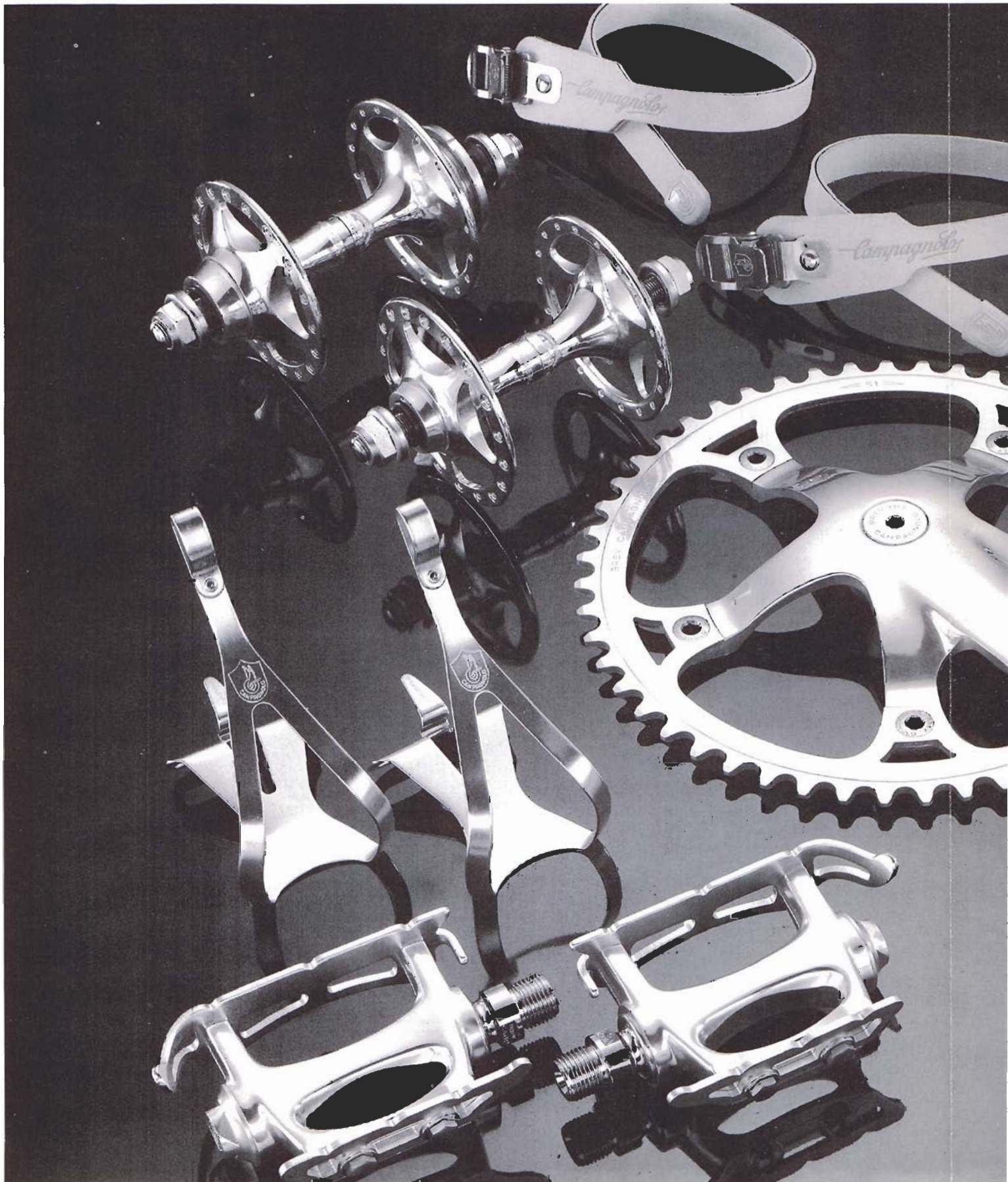














Basic Group		
CODE	COMPONENTS	VARIANTS
A300KFG	Record Keirin large flange hubs with solid spindle and nuts, 36 holes, front width 100, rear width 120, Keirin thread	Front width 100 for rear width 120 Front width 100 for rear width 110 Rear width: 110
A040K	Record Keirin chainwheel, pitch circle diameter 144, cranks 170 mm. - 48 t., 1/2" x 1/8"	Cranks length: 165 - 167,5 - 172,5 - 175 - 177,5 - 180 mm. Rings toothing: 44 - 45 - 46 - 47 - 49 - 50 - 51 - 52 - 53 - 54
A0H0K	Record Keirin bottom bracket Keirin thread Width 68 mm.	
A630KAM	Record Keirin Ergonomic pedals complete with medium (M) steel toe-clip and double layer leather strap	Steel toe-clip: small (S) - large (L) Aluminium toe-clip: small (S) - medium (M) - large (L)
00R8K	Keirin cylindrical seat pin 180 mm. with two fixing screws $\phi$ 27,2 complete with fixing screw and nut $\phi$ 8	$\phi$ : 26,8 - 27
A0D0K	Record Keirin aluminium head set, Keirin thread	

Campagnolo reserve the right to modify the contents of this catalogue without notice. If not specified when ordering, the components of the bicycle are for use on a bicycle. Campagnolo decline all responsibilities for any improper use or tampering of the products.





### A031KFG RECORD KEIRIN LARGE FLANGE FRONT HUB

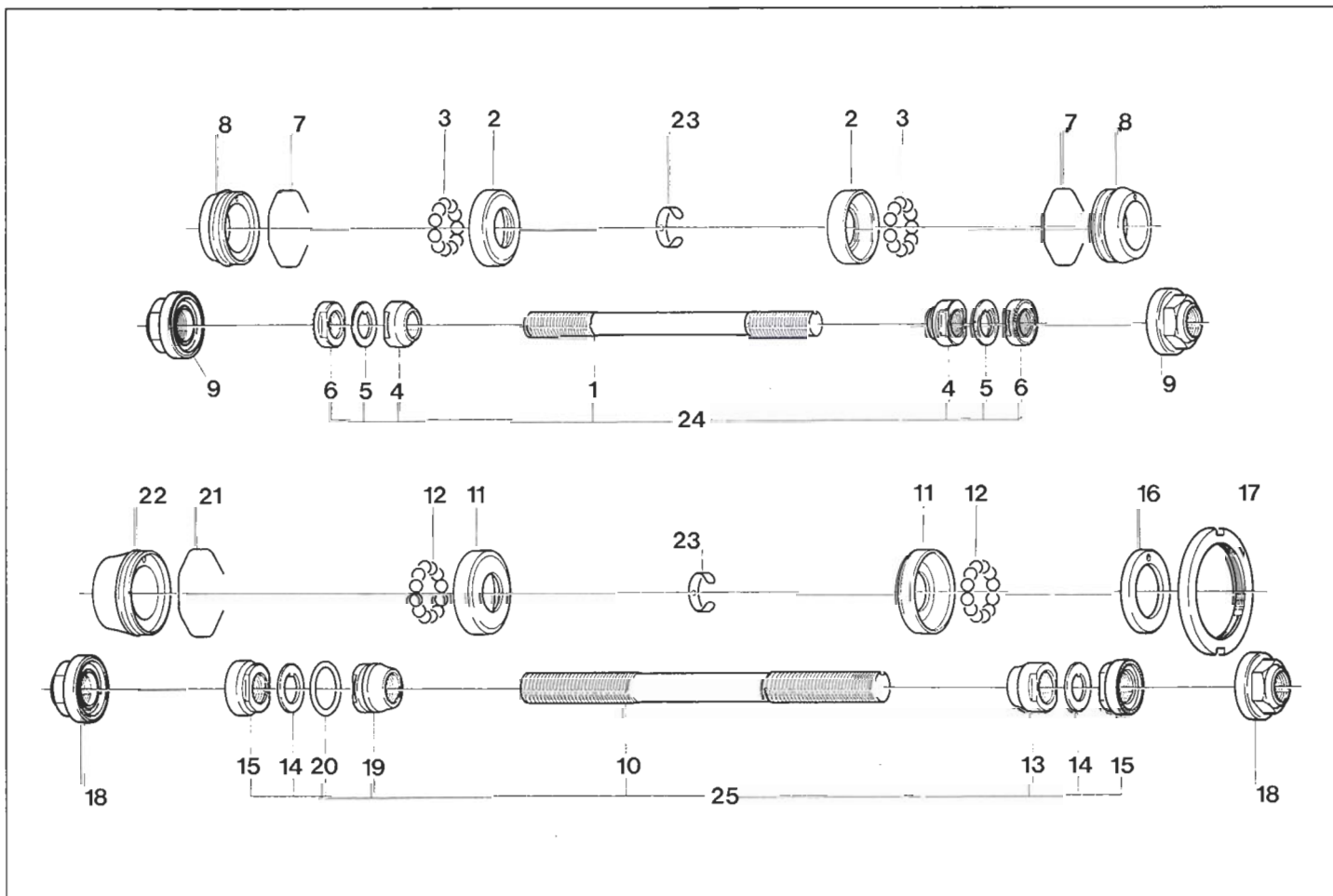
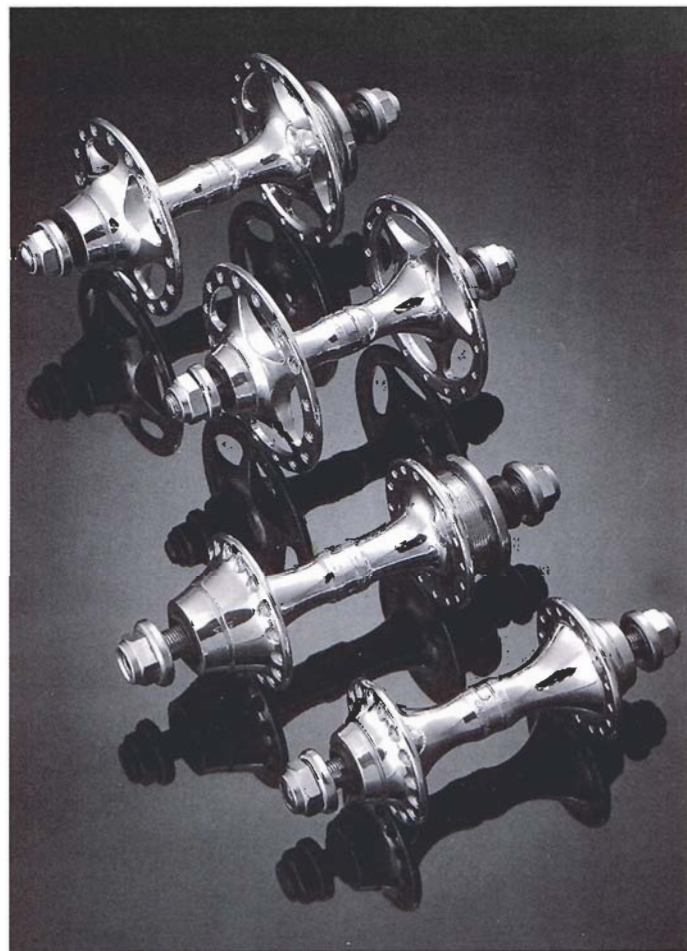
«NJS approved»

- 1 7281304 Solid axle with planes by 8 mm.
- 1 7281181 Solid axle
- 2 7131071 Cup
- 3 1321006 Balls set  $\phi$  7/32" (9+9)
- 4 7133070 Cone
- 5 7300026 Toothed washer by 1 mm.
- 5 7300027 Toothed washer by 1,5 mm.
- 5 7300028 Toothed washer by 2 mm.
- 6 7161159 Locknut
- 7 7100033 Dust cover circlip
- 8 7146011 Dust cover
- 9 2161008 Fixing nut
- 23 7182028 Oiler hole central clip
- 24 1281055 Complete axle

### A032KFG RECORD KEIRIN LARGE FLANGE REAR HUB

«NJS approved»

- 10 7281183 Solid axle, width 110
- 10 7281182 Solid axle, width 120
- 11 7131072 Cup
- 12 1321005 Balls set  $\phi$  1/4" (9+9)
- 13 7133071 R.H. cone
- 14 7300040 Toothed washer by 1 mm.
- 14 7300041 Toothed washer by 1,5 mm.
- 14 7300042 Toothed washer by 2 mm.
- 15 7161160 Locknut
- 16 7146015 R.H. dust cover
- 17 7203038 Sprocket locking 12 t.
- 17 7203039 Sprocket locking 13+16 t.
- 18 2161009 Fixing nut
- 19 7133088 L.H. cone
- 20 7100046 Jointing ring
- 21 7100034 Dust cover circlip
- 22 7146026 L.H. dust cover
- 23 7182028 Oiler hole central clip
- 25 1281056 Complete axle, width 110
- 25 1281057 Complete axle, width 120



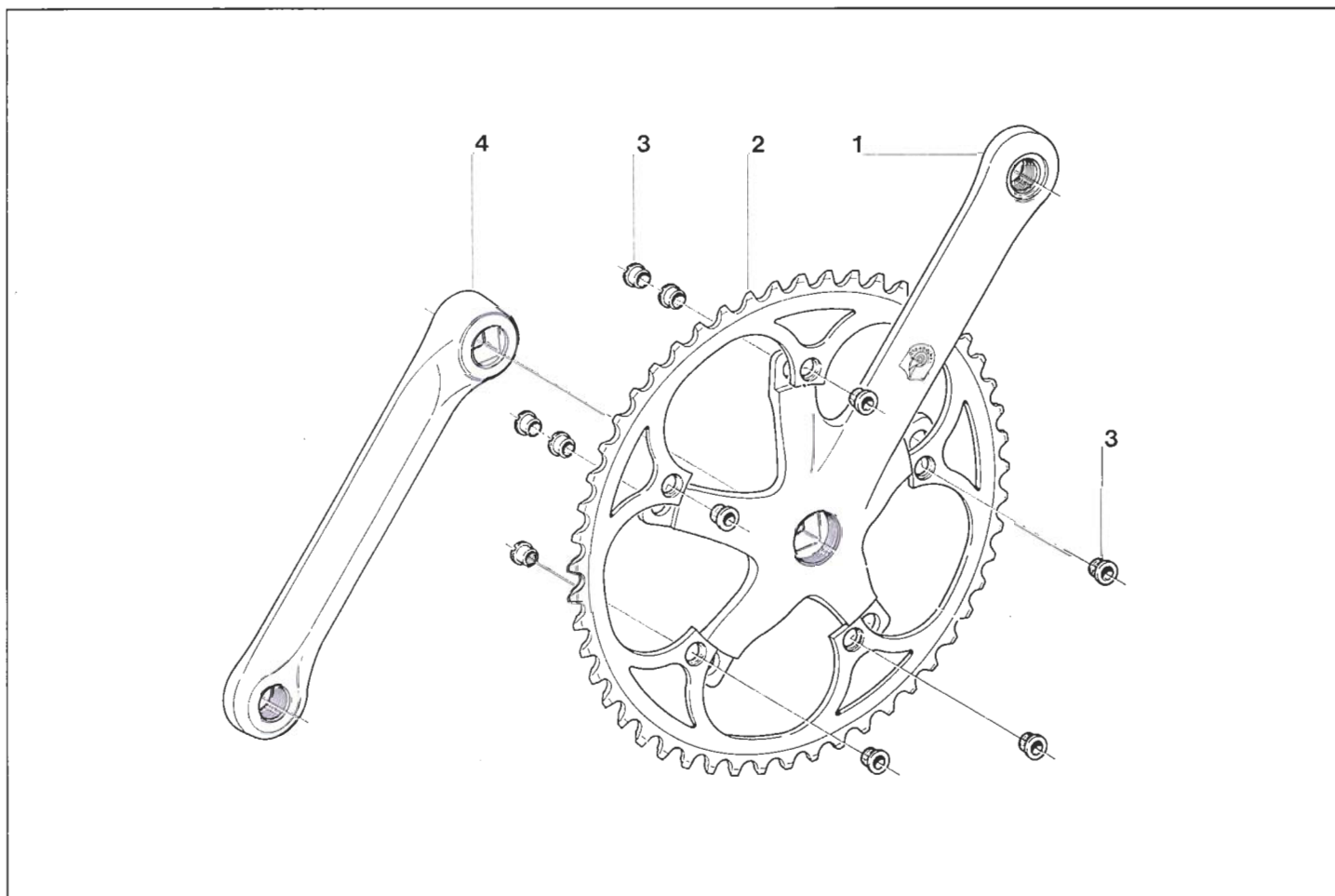


### A040K RECORD KEIRIN CHAINWHEEL «NJS approved»

- 1 A071K R.H. crank, pitch circle diameter 144
- 2 SZ00K Ring, pitch circle diameter 144
- 3 0100010 Rings fixing screw and nut
- 4 A072K L.H. crank

CODE	CRANKS LENGTH						
	165	167,5	170	172,5	175	177,5	180
A071K	●	●	●	●	●	●	●
A072K	●	●	●	●	●	●	●

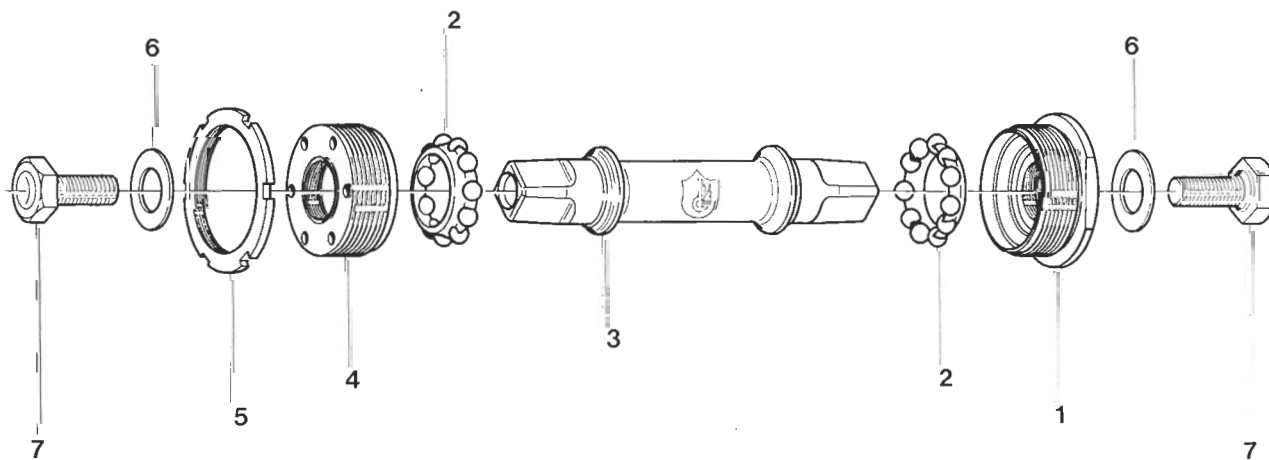
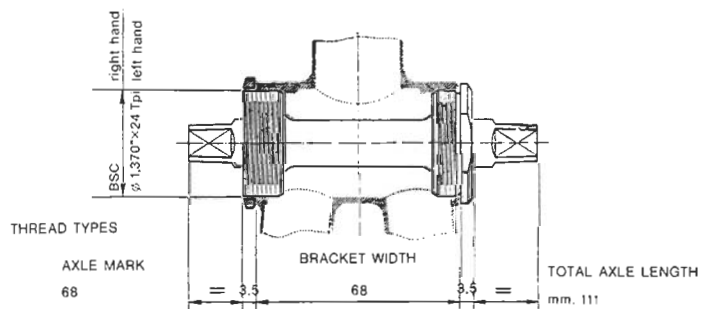
CODE	TEETH THICKNESS	P.C.D.	RINGS TOOTHING
SZ00K	3 mm.	144	from 44 to 54



# A0H0K RECORD KEIRIN BOTTOM BRACKET

«NJS approved»

- 1 7131073 R.H. fixed cup
- 2 1134003 Ball set  $\varnothing$  1/4"
- 3 7281177 68 P axle, width 120
- 4 7131074 L.H. adjustable cup
- 5 7203037 L.H. cup lockring
- 6 7300140 Crank fixing screw washer
- 7 7350166 Crank fixing screw



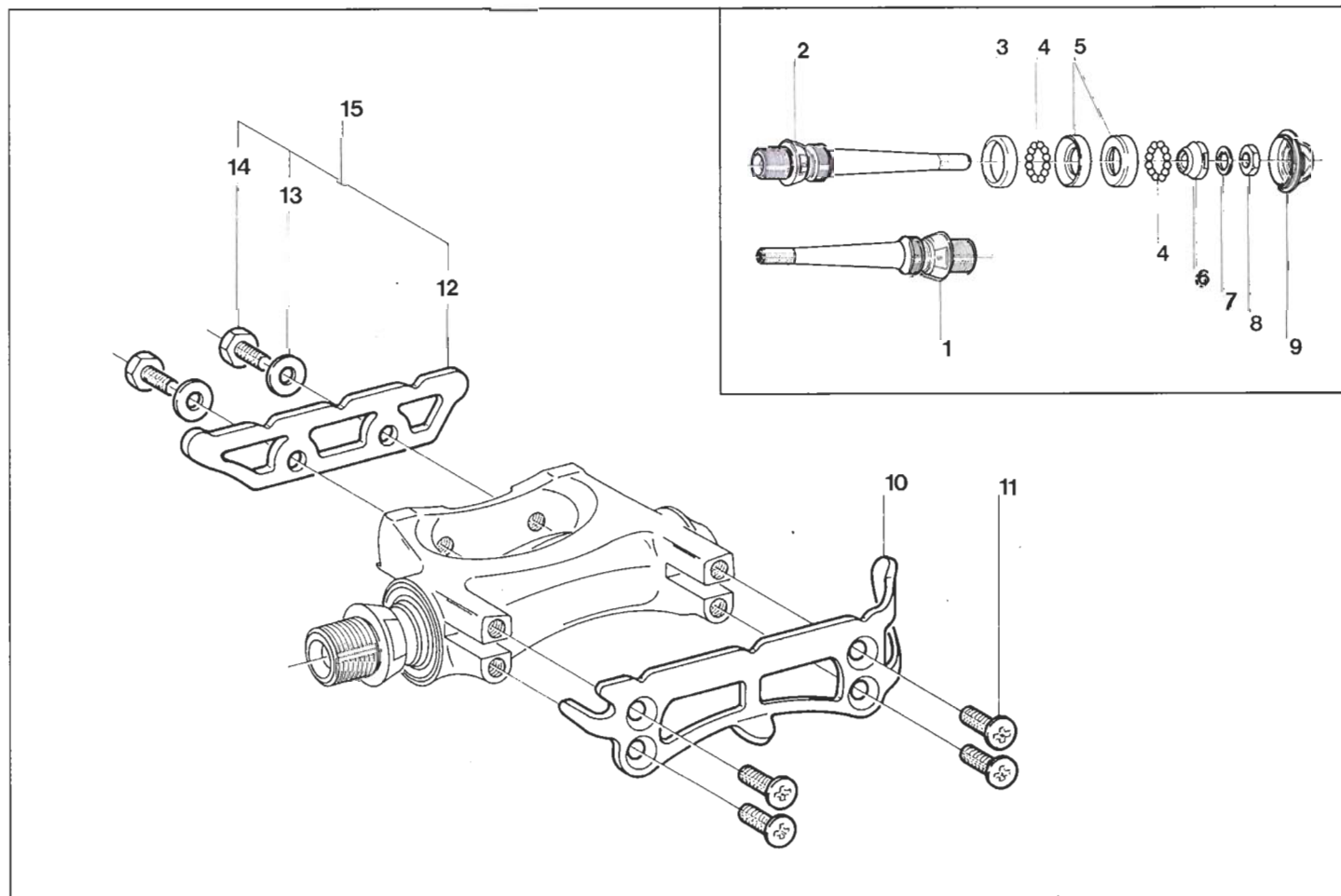


**A631KAM R.H. RECORD KEIRIN ERGONOMIC PEDAL**  
**«NJS approved»**

**A632KAM L.H. RECORD KEIRIN ERGONOMIC PEDAL**  
**«NJS approved»**

- 1 7281180 L.H. axle
- 2 7281179 R.H. axle
- 3 7146001 Dust cover
- 4 1321008 Balls set  $\varnothing$  5/32" (24 + 24)
- 5 7131001 Cup
- 6 7133002 Cone
- 7 7300001 Toothed washer
- 8 7161001 Locknut
- 9 7136031 Cover
- 10 7283059 R.H. pedal rear plate
- 10 7283060 L.H. pedal rear plate
- 11 7350148 Rear plate inner fixing screw
- 12 7283043 Fixing toe-clip front plate
- 13 7300002 Washer
- 14 7350237 Toe-clip fixing screw
- 15 1134021 Toe-clip plate, washers and fixing screws set
- 0F23KA Steel toe-clip with shoe plate:  
 small (S) - medium (M) - large (L)
- 1153007 Shaped double layer leather strap

Remark: The pedals are supplied complete with toe-clip and strap

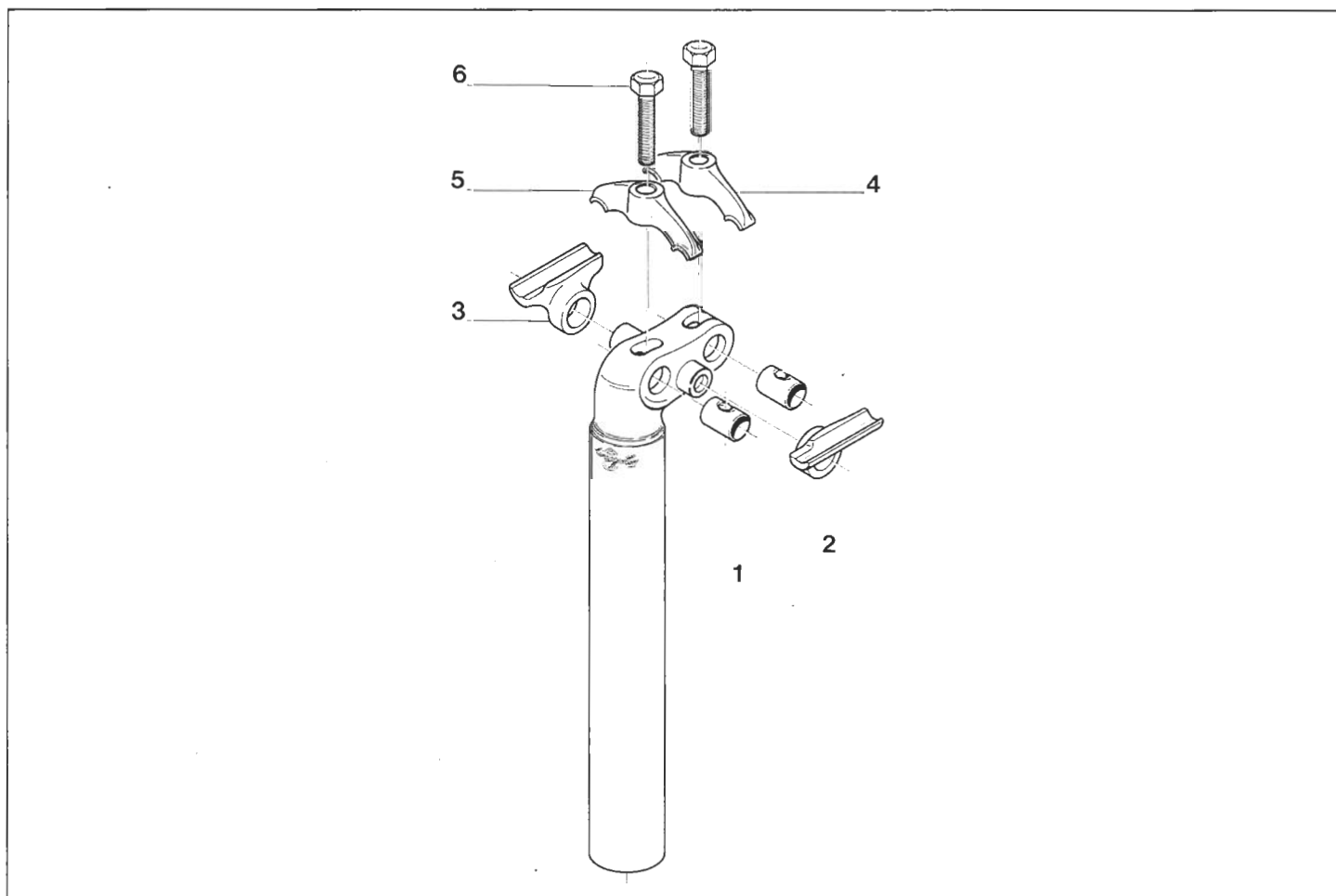






### 00R7K KEIRIN SEAT PIN «NJS approved»

- 1 7305001 Threaded bolt
- 2 7316002 L.H. lateral support
- 3 7316003 R.H. lateral support
- 4 7320006 Rear bracket
- 5 7320005 Front bracket
- 6 7350078 Fixing and adjusting screw





**A0D0K RECORD KEIRIN HEAD SET «NJS approved»**

- 1 7133069 Lower cone
- 2 1134014 Balls set  $\varnothing$  5/32"
- 3 1131044 Lower cup
- 4 7133068 Upper cone
- 5 1131043 Upper cup
- 6 7300119 Toothed washer
- 7 7161158 Locknut

