

MKS

PEDAL CATALOGUE



Edition 11

ESQUARTZ



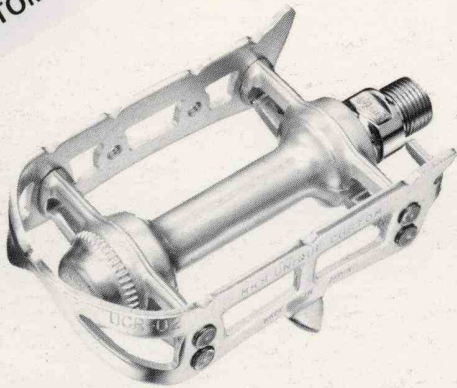
No. 2023
Body, Frame, Toe clip: Light alloy
Spindle: Cr. Mo. steel
Weight: 355g (w/o toe clip)
380g (w/alloy toe clip)
Clip size: M. L.

ESQUARTZ 102



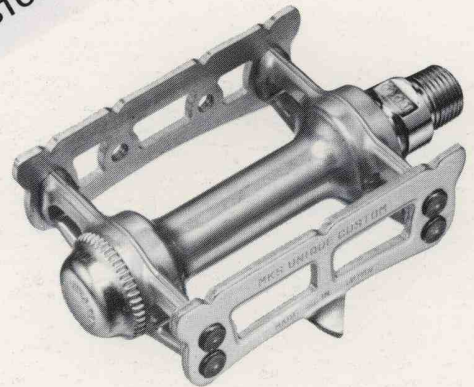
No. 2025
One piece light alloy frame
Spindle: Carbon steel
Weight: 365g (w/o toe clip)
390g (w/alloy toe clip)
Clip Size: M. L.

UNIQUE CUSTOM ROAD



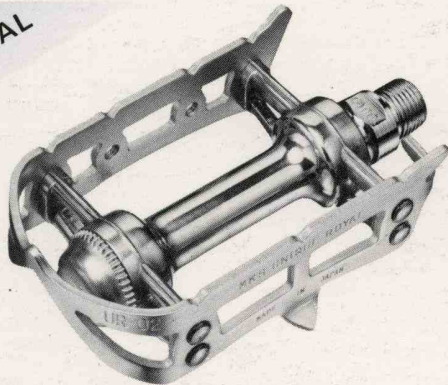
No. 1002 *
Body: Forged light alloy Size: 63 mm.
Frame: Light alloy Weight: 360 gm.
Spindle: Cr. Mo. steel

UNIQUE CUSTOM TRACK



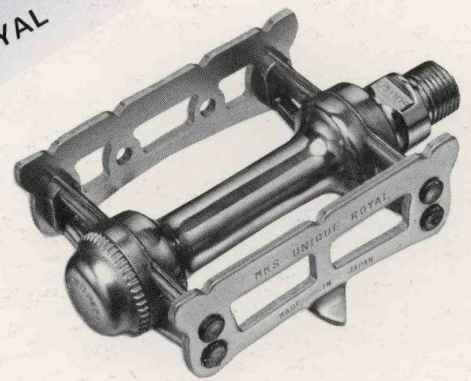
No. 1012 *
Body: Forged light alloy Size: 63 mm.
Frame: Light alloy Weight: 350 gm.
Spindle: Cr. Mo. steel

UNIQUE ROYAL ROAD



No. 2002 *
Body: Casting light alloy Size: 63 mm.
Frame: Light alloy Weight: 360 gm.
Spindle: Carbon steel

UNIQUE ROYAL TRACK



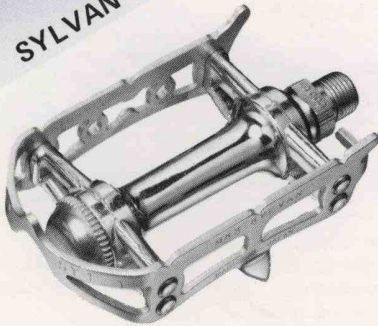
No. 2012 *
Body: Casting light alloy Size: 63 mm.
Frame: Light alloy Weight: 350 gm.
Spindle: Carbon steel

UNIQUE ROAD No. 2003
Frame: Steel
Size: 63 mm. Weight: 430 gm.

UNIQUE TRACK No. 2013
Frame: Steel
Size: 63 mm. Weight: 410 gm.

★ Black finish available to order.

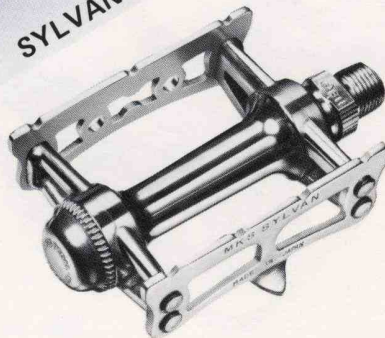
SYLVAN ROAD



No. 2021 ★

Body: Casting light alloy Size: 63 mm.
Frame: Light alloy Weight: 360 gm.
Spindle: Carbon steel

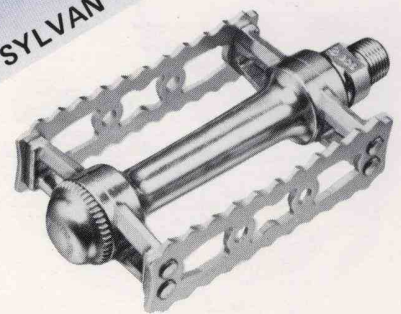
SYLVAN TRACK



No. 2031 ★

Body: Casting light alloy Size: 63 mm.
Frame: Light alloy Weight: 330 gm.
Spindle: Carbon steel

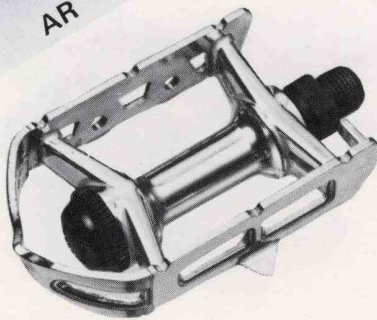
SYLVAN TOURING



No. 2033 ★

Body: Casting light alloy Size: 80 mm.
Frame: Light alloy Weight: 390 gm.
Spindle: Carbon steel

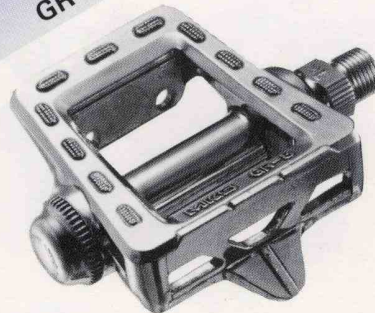
AR



No. 2022

One piece light alloy frame
Aerodynamic type
Size: 60 mm. Weight: 330 gm.

GR-8



No. 2026

One piece light alloy frame
Platform type for grand racing
Size: 73 mm. Weight: 400 gm.

505



No. 2027

One piece light alloy frame
Self-balanced pedal with reflector
Size: 99 mm. Weight: 560 gm.
w/amber reflectors (CPSC/CHP/AS approved)

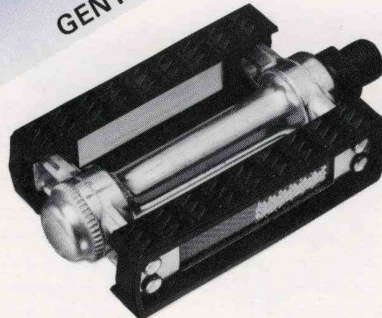
707



No. 2028

One piece light alloy frame
Self-balanced pedal
Toe clip strap attachable
Size: 88 mm.
Weight: 560 gm.
w/amber reflectors (CPSC/CHP/AS approved)

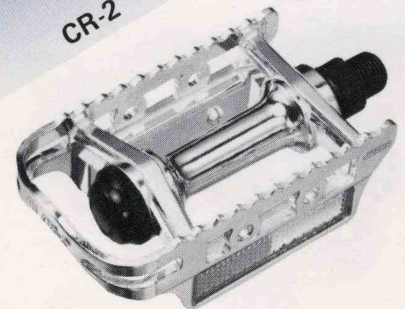
GENTS



No. 2032

Body: Casting light alloy Size: 80 mm.
Frame: Light alloy Weight: 510 gm.
White or black vinyl,
Tread inserted w/amber reflectors

CR-2



No. 2024

One piece light alloy frame self balanced
pedal reflectors
Size: 63 mm.
Weight: 400 gm.
w/amber reflector (CPSC/CHP/AS approved)

Quill-2K



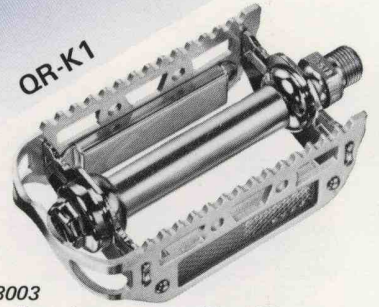
No. 3002 *
Light alloy plate
Screwed dust cap.
Size: 54 mm.
Weight: 380 grm.

Quill-2



No. 3001
One piece steel plate
Screwed dust cap.
Size: 54 mm.
Weight: 480 grm.

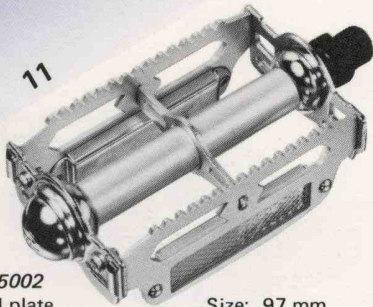
QR-K1



No. 3003
Light alloy plate
Screwed dust cap
w/amber reflectors
(CPSC/CHP/AS approved)
Size: 82 mm.
Weight: 500 grm.

QR-S2 No. 3004
Steel plate screwed dust cap
w/amber reflectors
Size: 82 mm.
Weight: 620 grm.
(CPSC/CHP/AS approved)

11



No. 5002
Steel plate
Winged dust cap
w/amber reflectors
(CPSC/CHP/AS approved)
Size: 97 mm.
Weight: 630 grm.

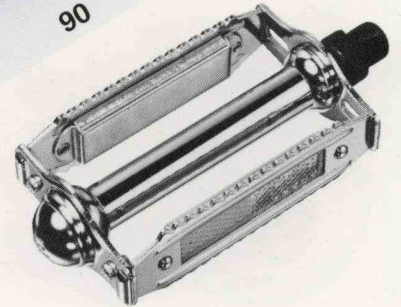
K-11 No. 5001
Light alloy plate, Winged dust cap
w/amber reflectors
Size: 97 mm.
Weight: 500 grm.
(CPSC/CHP/AS approved)

33



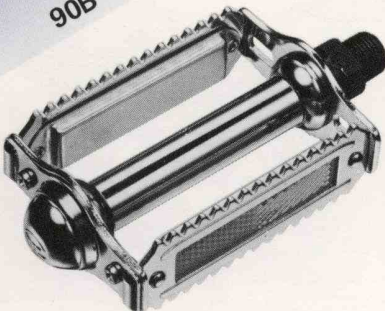
No. 6001
Steel plate
Winged dust cap
w/amber reflectors
(CPSC/CHP/AS approved)
Size: 97 mm.
Weight: 630 grm.

90



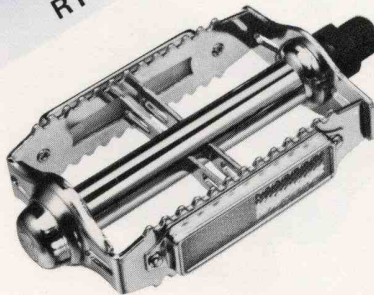
No. 7001
Steel plate
Winged dust cap
w/amber reflectors
(CPSC/CHP/AS approved)
Size: 97 mm.
Weight: 590 grm.

90B



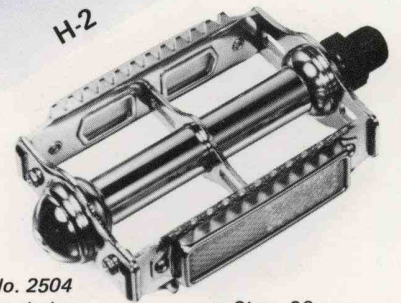
No. 7002
Steel plate
Winged dust cap
w/amber reflectors
(CPSC/CHP/AS approved)
Size: 82 mm.
Weight: 540 grm.

RT-7



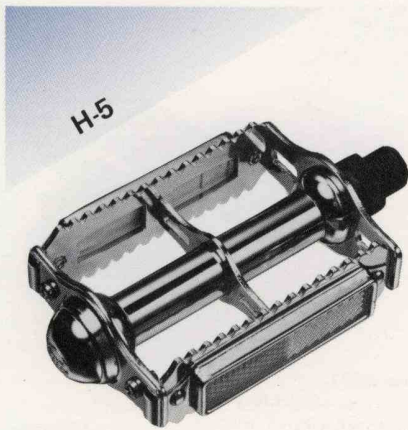
No. 9004
Rat-Trap one piece steel frame
Pressed dust cap
Size: 97 mm.
Weight: 400 grm. (CPSC/CHP/AS approved)

H-2



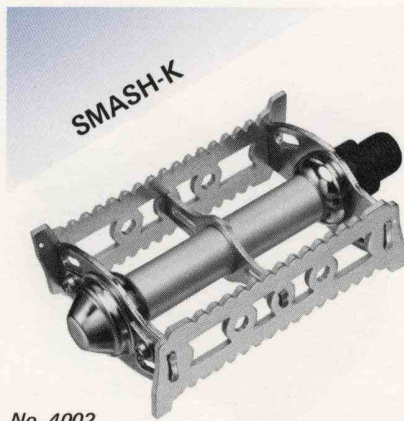
No. 2504
Steel plate
Winged dust cap
w/amber reflectors (CPSC/CHP/AS approved)
Size: 90 mm.
Weight: 580 grm.

H-Stainless No. 2502
Plate, dust cap: Stainless, w/amber reflectors
Size: 90 mm.
Weight: 590 grm.
(CPSC/CHP/AS approved)



No. 2506
Steel plate
Winged dust cap
w/amber reflectors
(CPSC/CHP/AS approved)

Size: 82 mm.
Weight: 540 grm.



No. 4002
Light alloy plate
Winged dust cap

Size: 82 mm.
Weight: 420 grm.

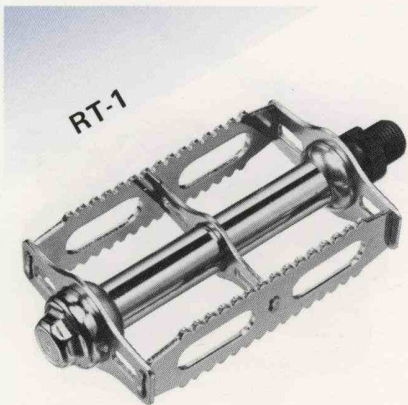


No. 8002
Light alloy plate
Screwed dust cap

Size: 60 mm.
Weight: 360 grm.

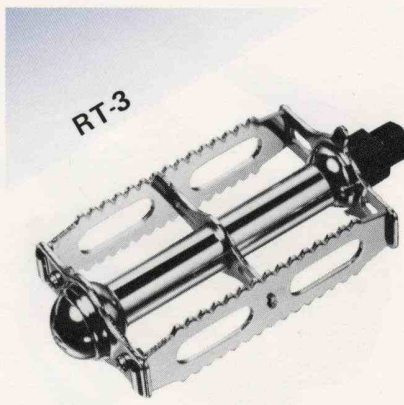
SMASH No. 4001
Steel plate winged dust cap.
Size: 82mm. Weight: 520 grm.

MAX No. 8001
Steel plate, Screwed dust cap.
Size: 60 mm. Weight: 440 grm.



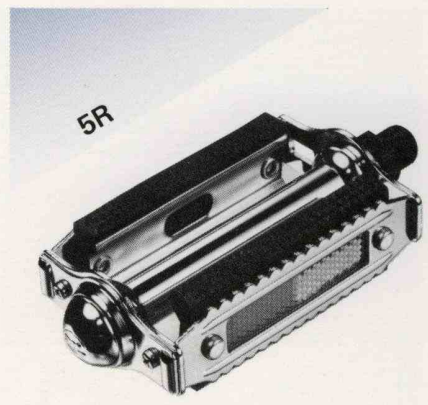
No. 9001
Steel plate
Screwed dust cap

Size: 97 mm.
Weight: 530 grm.



No. 9003
Steel plate
Winged dust cap

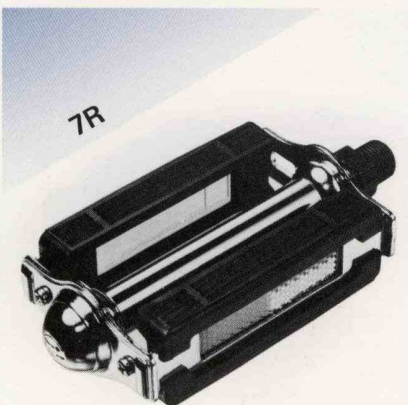
Size: 97 mm.
Weight: 540 grm.



No. 2301
Winged dust cap
and white or black vinyl tread, rivet fastened
with amber reflectors
Size: 97 mm. Weight: 690 grm.

RT-1K No. 9002
Light alloy plate, Screwed dust cap.
Size: 97 mm. Weight: 420 grm.

MINI No. 2402
Steel plate, Winged dust cap.
Size: 82 mm. Weight: 500 grm.



No. 2303
Winged dust cap, white or black vinyl tread
inserted w/amber reflectors
Size: 97 mm. Weight: 640 grm.



No. 5201
One side nuts. White or black vinyl blocks
inserted in dust cap with amber reflectors.
Size: 95 mm. Weight: 620 grm.
(CPSC/CHP/AS approved)

60-M90 No. 5204
Size: 90 mm. Weight: 600 grm.

60-B No. 5202
Size: 82 mm. Weight: 590 grm.



No. 2201
Winged dust cap
Insert white or black vinyl
w/amber reflectors. Size: 97 mm. Weight: 670 grm.

108-M90 No. 2203
Winged dust cap, insert white or black vinyl
w/amber reflectors
Size: 90 mm. Weight: 620 grm.



No. 5701
 One side nuts, black diamond full rubber with
 amber reflectors Size: 95 mm.
 Weight: 690 gm.
 (CPSC/CHP/AS approved)



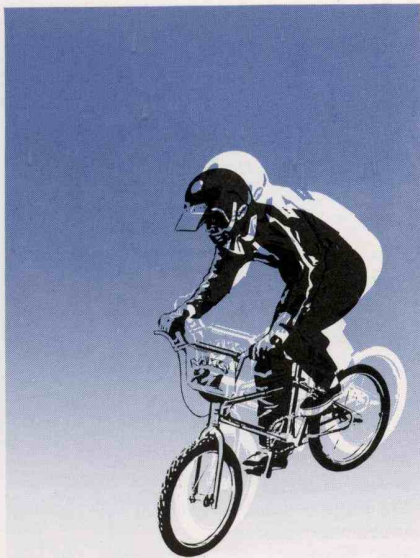
No. 5801
 One piece white or black plastic body.
 Winged dust cap with ball bearing
 Size: 90 mm. Weight: 350 gm.



No. 5101
 One side nuts, black or white vinyl block
 Size: 95 mm. Weight: 630 gm.

C-24V No. 5103
 Size: 90 mm. Weight: 550 gm.

C-22V No. 5601
 Size: 82 mm. Weight: 530 gm.



No. 2601
 Motocross, made of steel one piece strong
 plate system w/Cr. Mo. steel spindle
 Size: 86 mm. Weight: 630 gm.
 (CPSC/CHP/AS approved)



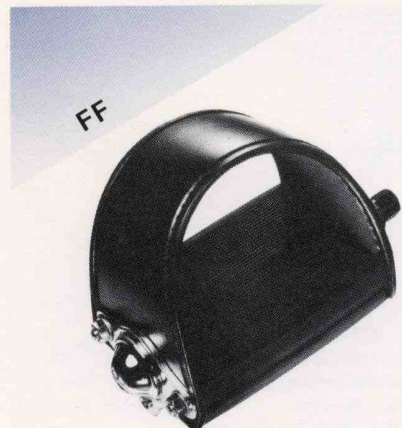
No. 2503
 Motocross, made of steel,
 w/Cr. Mo. steel spindle, Winged dust cap
 Size: 90 mm. Weight: 620 gm.
 (CPSC/CHP/AS approved)



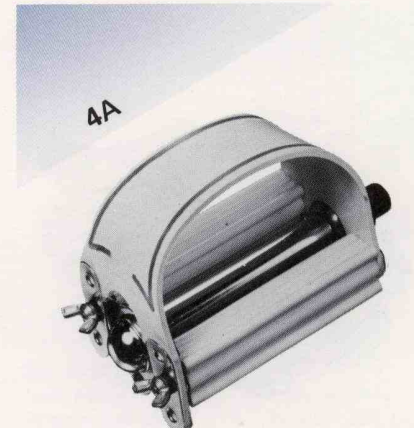
No. 5102
 One side nuts, with center red line on white
 vinyl block
 Size: 95 mm. Weight: 630 gm.

24R-2 No. 5104
 Size: 90 mm. Weight: 550 gm.

22R-2 No. 5603
 Size: 82 mm. Weight: 530 gm.



No. 8104
 For cycle exciser with balancers. Winged
 dust cap, one side nuts. Bow type one piece
 black rubber fitted with black vinyl leather
 made strap.
 Size: 102 mm. Weight: 1050 gm.



No. 8101
 For cycle exciser with balancers.
 Adjustable in three positions
 One side wing nuts. White vinyl blocks.
 Size: 102 mm. Weight: 960 gm.



No. 5402
One side nuts, Black full rubber
Size: 95 mm. Weight: 720 grm.



No. 5401
Winged dust cap. One side nuts black diamond full rubber
Size: 95 mm. Weight: 720 grm.



No. 5403
Winged dust cap, one side nuts check designed black full rubber
Size: 95 mm. Weight: 780 grm.



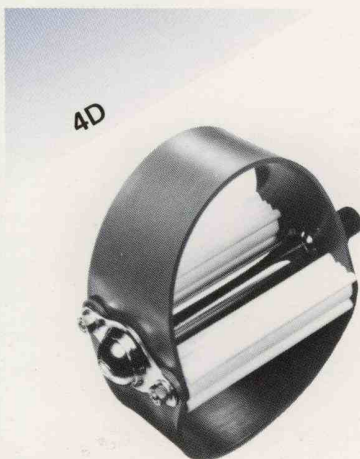
No. 2507
Motorcross, made of steel, w/Cr. Mo. steel spindle Winged dust cap
Gold, red, blue, black & c-p color available.
Size: 82 mm. Weight: 540 grm.
(CPSC/CHP/AS approved)



No. 2034
Made of light alloy, one piece plate, casting body, w/Cr. Mo. spindle.
Red, gold, blue,
Size: 63 mm. Weight: 360 grm.



No. 2035
Made of light alloy one piece plate casting body, w/Cr. Mo. steel spindle
Red, gold, blue, silver & black
Size: 63 mm. Weight: 360 grm.



No. 8102
For cycle exerciser. Winged dust cap.
One side nuts. White vinyl blocks.
Size: 102 mm. Weight: 790 grm.



N-14 No. 7101
For juvenile ball-less type. One piece white or black vinyl tread, with red cap.
Size: 82 mm. Weight: 260 grm.



SH-150 No. 182
Made of steel rod, c-p, with white vinyl wheels and red vinyl tires.
Fitted to 12, 16, 18 and 20" wheels.

N-16 No. 7102
For juvenile ball-less type. One piece white or black vinyl tread, with red cap.
Size: 82 mm. Weight: 460 grm.

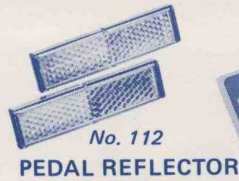


No. 142

PEDAL SPIN
Made of light alloy 5 pairs

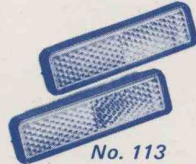


No. 141



No. 112

PEDAL REFLECTOR



No. 113

PEDAL REFLECTOR
Black plastic housing



PEDAL CAP SPANNER
No. 172



PEDAL CAP

No. 173

PEDAL No. 174
ADJUSTABLE SPANNER



STRAP DX
Plastic belt sandwiched in double leather



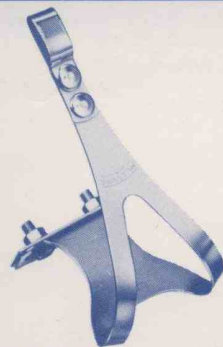
TOE CLIP & STRAP SET

STRAP
Leather with spring type fastener. 13 x 400 mm. White, red yellow, blue, black, brown & green colors. 10 pieces per display cardboard.



No. 151

SHOES PLATE-DX No. 162
Made of light alloy 5 pairs per display cardboard.



TOE CLIP No. 121 **TOE CLIP W/LEATHER No. 122**
Supplied in pair. S.M.L. LL. Made of high quality steel, c-p

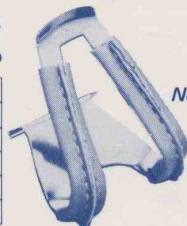
	A	B	Weight		Weight with Leather	
			Steel	Light Alloy	Steel	Light Alloy
S	100 mm.	45 mm.	93 grm.	48 grm.	98 grm.	53 grm.
M	115 mm.	50 mm.	100 grm.	50 grm.	105 grm.	55 grm.
L	120 mm.	55 mm.	105 grm.	51 grm.	110 grm.	56 grm.
LL	135 mm.	65 mm.	110 grm.		115 grm.	



No. 124

TOE CLIP No. 123
Made of light alloy, supplied in pair. S.M.L.

TOE CLIP W/LEATHER
Made of light alloy supplied in pair. S.M.L.



No. 132

HALF CLIP LEATHER
Made of high quality steel, with leather supplied in pair. M. & L size.



Alloy toe clip for Esquartz
Size: M, L.
Adaptor for Esquartz
Weight: 45 grm.

No. 126

	M	L
A	80 mm.	90 mm.
B	47 mm.	57 mm.



No. 175

HALF CLIP No. 131
Made of high quality steel, c-p, supplied in pair. M & L size.

Printed in Japan

MIKASHIMA INDUSTRIAL CO., LTD.

1738 Kohjiya, Tokorozawa City, Saitama 359, Japan. Telephone: 0429-48-1261
Telex No.: 2953777 MKS PDLJ Cable Address: "MKS PEDAL" Tokorozawa